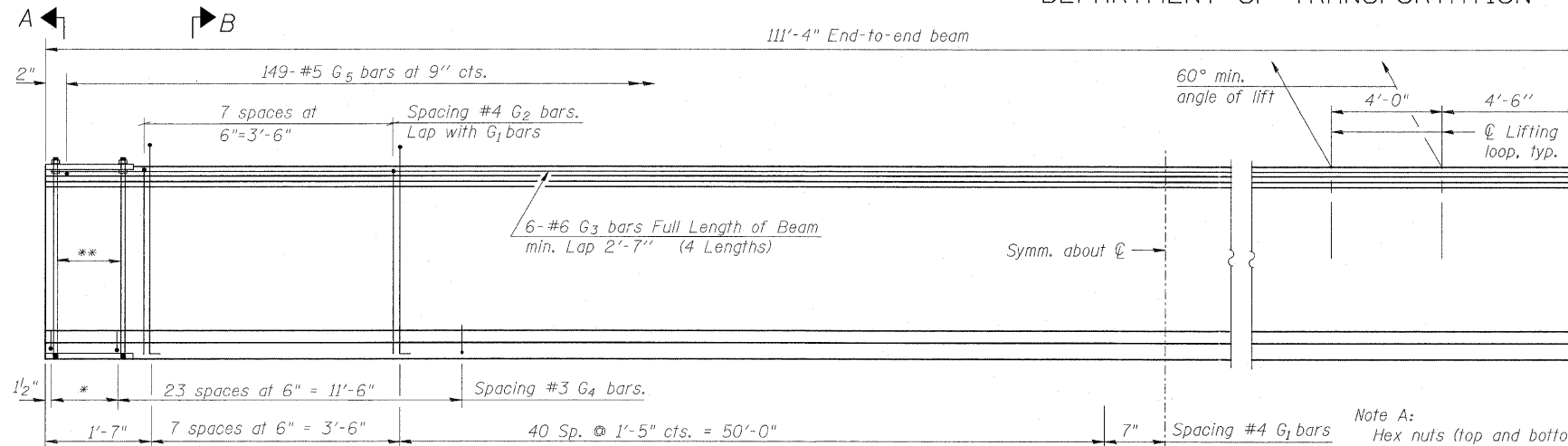


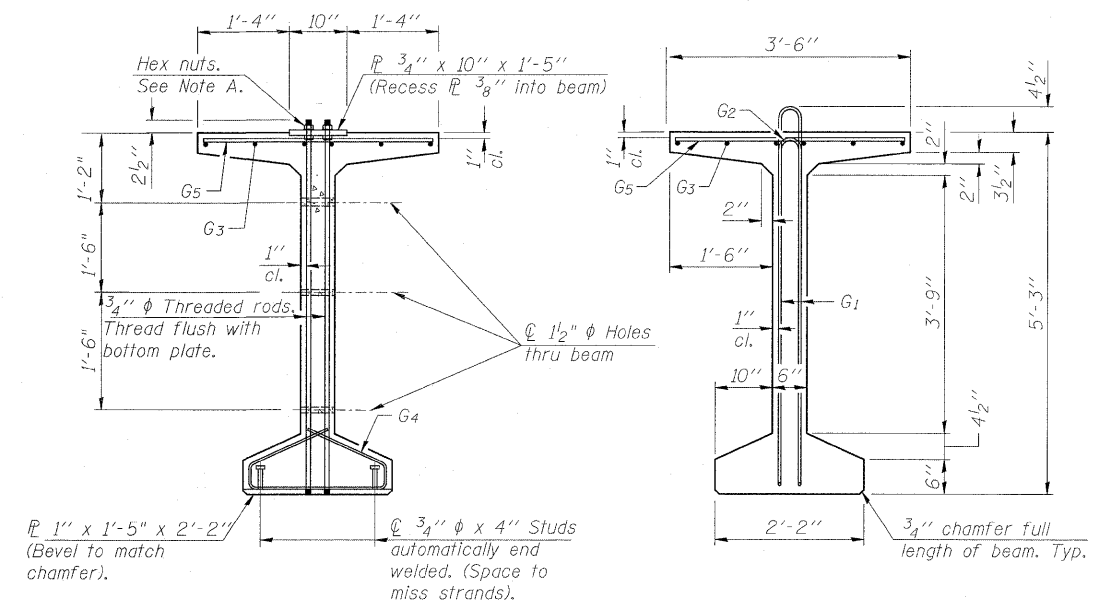
STATE OF ILLINOIS
DEPARTMENT OF TRANSPORTATION



ELEVATION OF BEAM
(Showing Reinforcement & Dimensions)

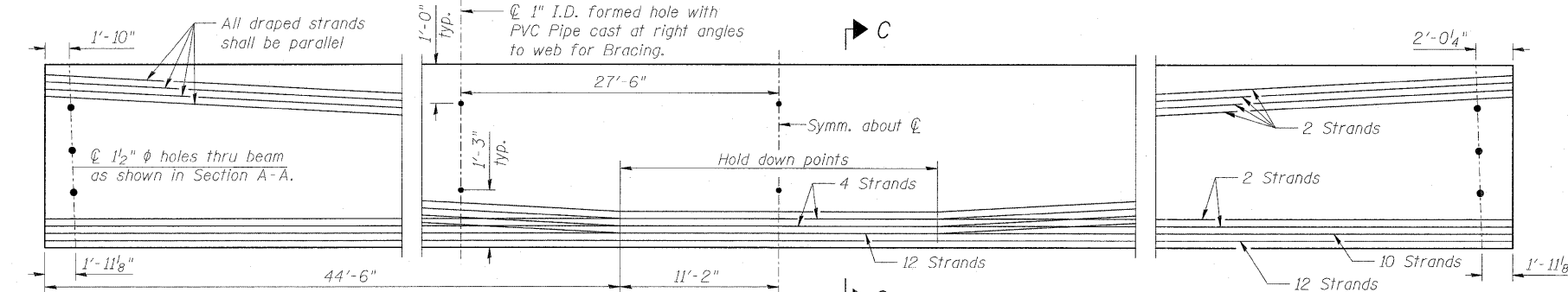
* 4 spaces at 3 1/4" = 1'-1".
** 5-3/4" φ threaded dowel rods at 3 1/4" cts., each face.

Note A:
Hex nuts (top and bottom) with lock washers (top). Only tighten sufficiently to compress lock washers.

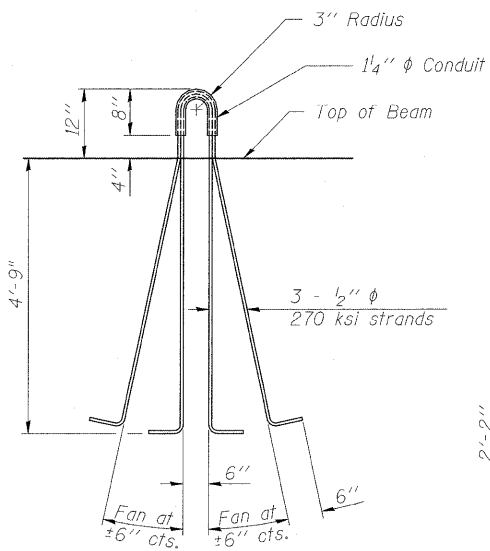


SECTION A-A

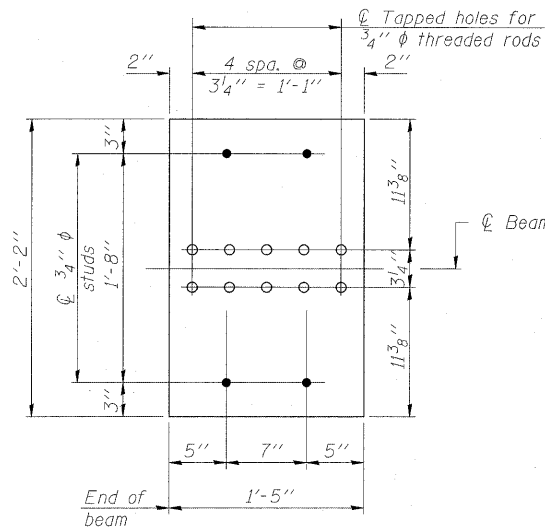
SECTION B-B



ELEVATION OF BEAM
(Showing Prestressing Steel)



LIFTING LOOP DETAIL



BOTTOM PLATE

See bearing details for pintle hole locations when required.

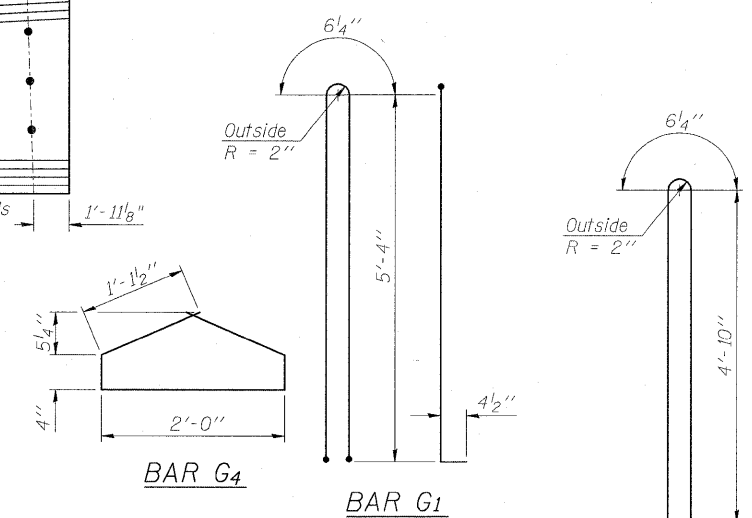
BILL OF MATERIAL

| Item | Unit | Total* |
|--|------|--------|
| Furnishing and Erecting Precast Prestressed Concrete Bulb T-Beams, 63" | Ft. | 1558.7 |

* Both Structures

NOTES

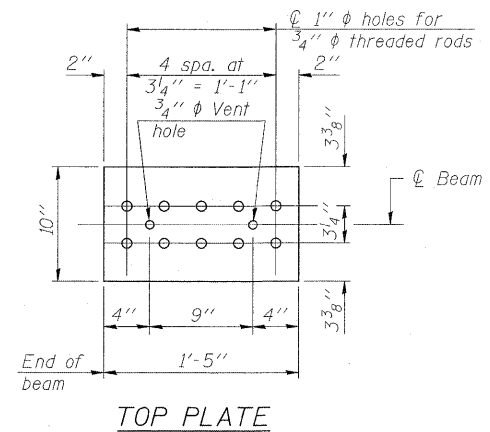
Inserts for 3/4" φ threaded dowel rods, when specified, are to be two strut, ferrule type for interior beams and single ferrule, flared loop type for exterior beams.
Prestressing steel shall be uncoated high strength, low relaxation 7-wire strand, Grade 270. The nominal diameter shall be 1/2" and the nominal cross-sectional area shall be 0.153 sq. in.
Reinforcement bars shall conform to ASTM A 706, Grade 60. (See Special Provisions).
A minimum 2 1/2" φ lifting pin shall be used to engage the lifting loops during handling.
The top and bottom plates shall be AASHTO M270 Grade 50. The bottom plates and studs shall be galvanized according to AASHTO M111. Top plates and threaded rods need not be galvanized. Threaded rods shall be ASTM F 1554 Grade 55.



BAR G4

BAR G1

BAR G2



TOP PLATE

***** BAR LIST
ONE BEAM ONLY**

| Bar | No. | Size | Length | Shape |
|-----|-----|------|---------|-------|
| G1 | 96 | #4 | 11'-11" | ∩L |
| G2 | 16 | #4 | 10'-2" | ∩ |
| G3 | 24 | #6 | 29'-9" | — |
| G4 | 56 | #3 | 4'-11" | ∩ |
| G5 | 149 | #5 | 3'-4" | — |

*** For information only

**BEAM ELEVATION & DETAILS
STRUCTURE NO. 101-0177 & 101-0178**

| |
|----------------|
| DESIGNED - BTO |
| CHECKED - JAN |
| DRAWN - BTO |
| CHECKED - JAN |

| | | | | | |
|--------------|------------------------------|-------------------------|-------------------------------------|------------------|---------------|
| SHEET NO. 18 | F.A.P. RTE. 734 | SECTION 77-28-1, 77-2-2 | COUNTY WINNEBAGO | TOTAL SHEETS 530 | SHEET NO. 290 |
| 30 SHEETS | FED. ROAD DIST. NO. ILLINOIS | | FED. AID PROJECT CONTRACT NO. 64813 | | |