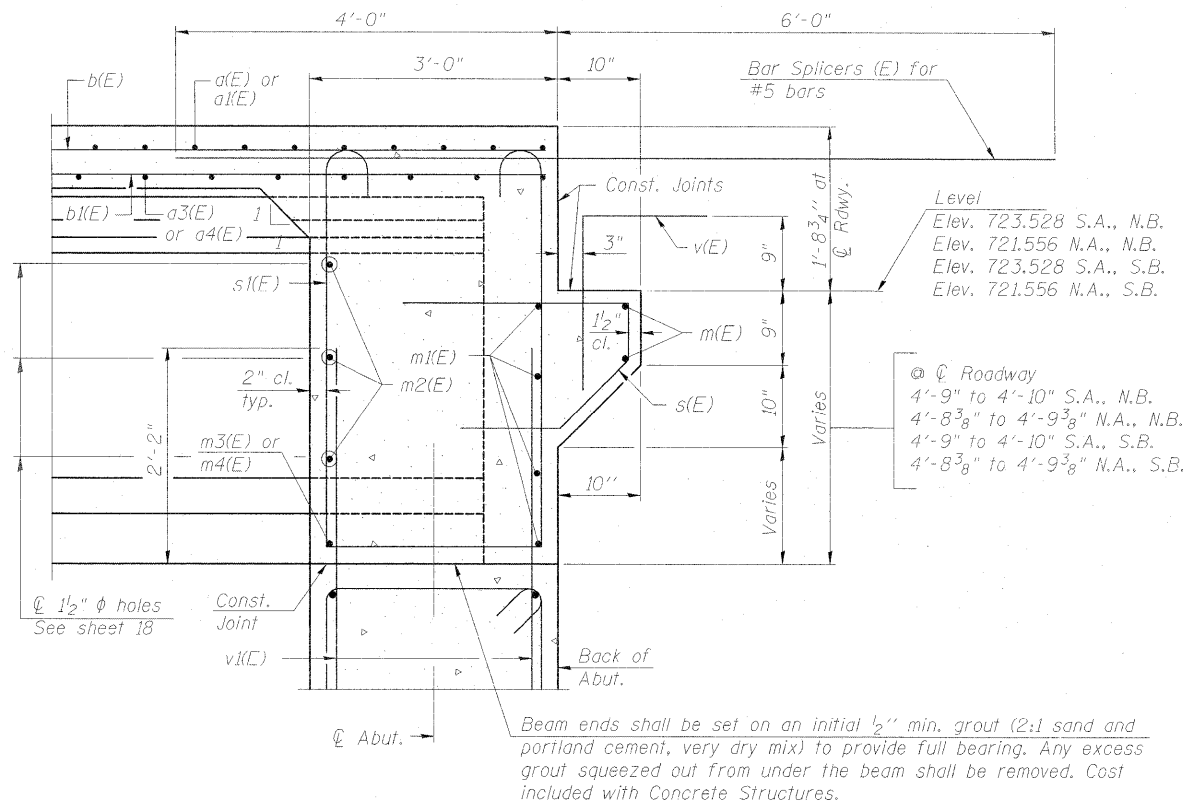
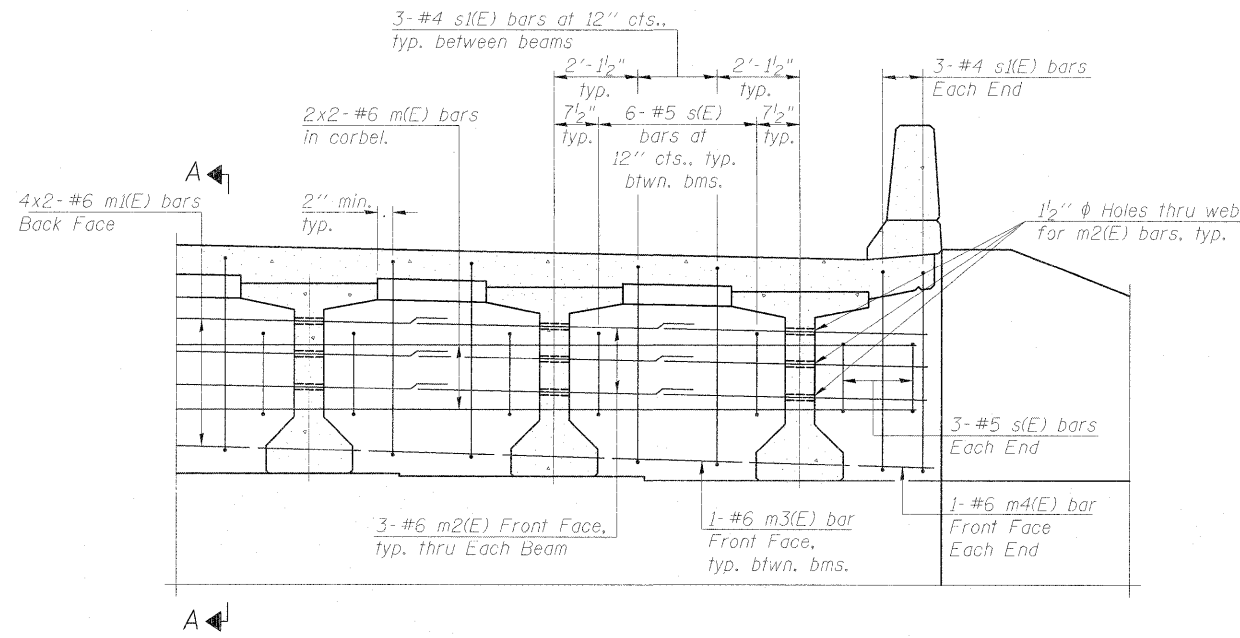
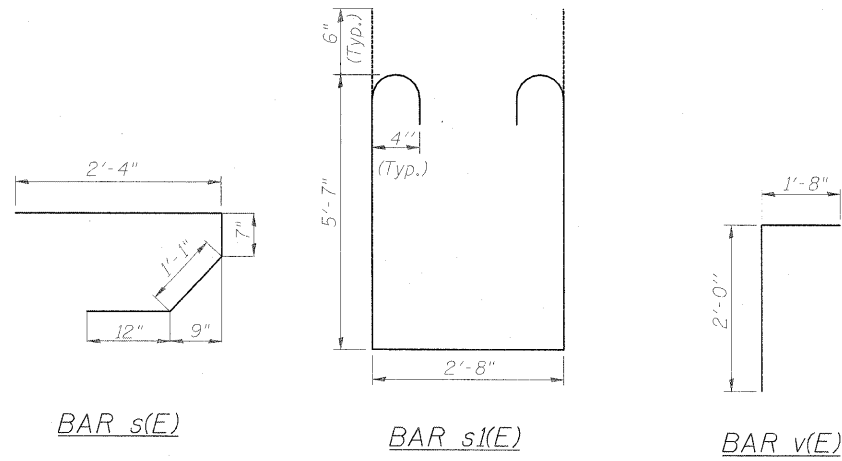


STATE OF ILLINOIS
DEPARTMENT OF TRANSPORTATION



SECTION A-A

Dimensions at right angles to abutment, except as shown.



DIAPHRAGM ELEVATION AT ABUTMENT

Notes:

NB Reinforcement bars in diaphragm are billed with superstructure on sheet 15 of 30. SB Reinforcement bars in diaphragm are billed with superstructure on sheet 16 of 30.

Concrete in NB diaphragm is included with Concrete Superstructure on sheet 15 of 30. Concrete in SB diaphragm is included with Concrete Superstructure on sheet 16 of 30.

The s(E) and s(E) bars shall be placed parallel to the beams. Spacing for these bars shall be at right angles to the beams.

Reinforcement bars designated (E) shall be epoxy coated.

MIN. BAR LAP

#6 bar = 2'-9"

ABUTMENT DETAILS
STRUCTURE NO. 101-0177 & 101-0178

| |
|----------------|
| DESIGNED - JAW |
| CHECKED - JAN |
| DRAWN - BTD |
| CHECKED - JAW |

| | | | | | |
|---------------------------|--------------------|----------------------------|---------------------|---------------------|------------------|
| SHEET NO. 21 30 SHEETS | F.A.P. RTE. 734 | SECTION 77-2B-1, 77-2-2 | COUNTY WINNEBAGO | TOTAL SHEETS 530 | SHEET NO. 293 |
| | CONTRACT NO. 64813 | | | | |
| FED. ROAD DIST. NO. | | ILLINOIS | FED. AID PROJECT | | |