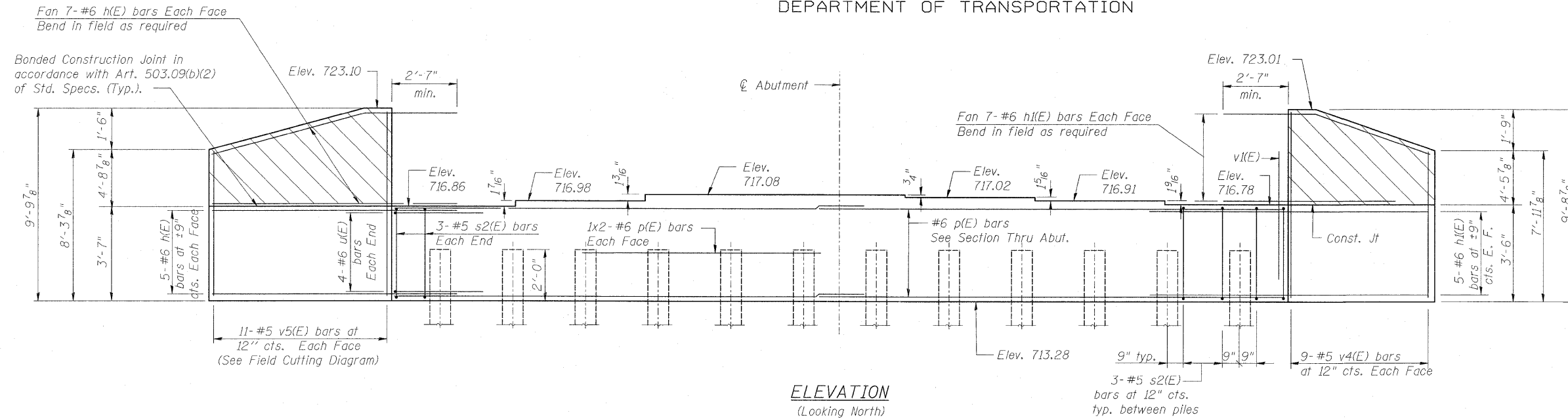
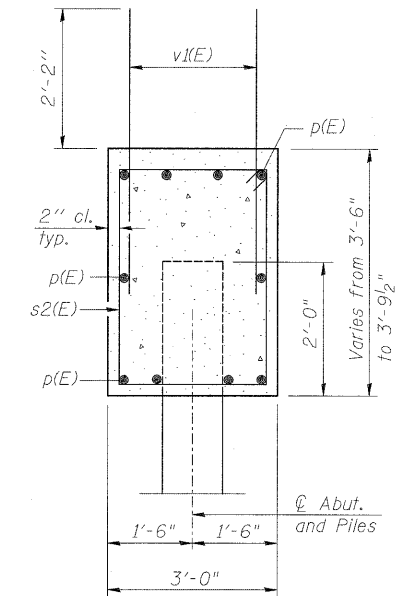


STATE OF ILLINOIS  
DEPARTMENT OF TRANSPORTATION



ELEVATION  
(Looking North)



SEC. THRU ABUT.

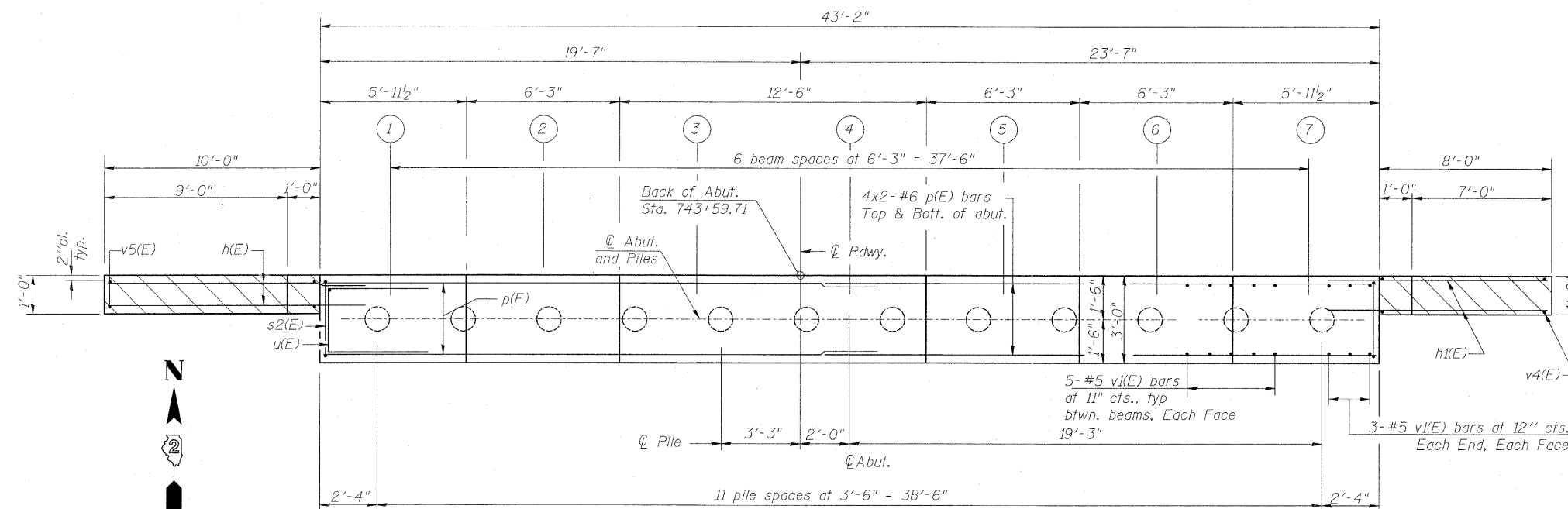
PILE DATA

Type and Size: 12"  $\phi$  Metal Shell w/1/4" walls  
Nominal Required Bearing: 330 kips  
Allowable Resistance Available: 110 kips  
Est. Pile Length: 46'  
Number of Production: 11  
Number of Test Piles: 1  
The metal shell piles shall be according to ASTM A252, Grade 3.  
Piles shall be driven thru 18"  $\phi$  pre-cored holes extending to Elev. +698.

BILL OF MATERIAL

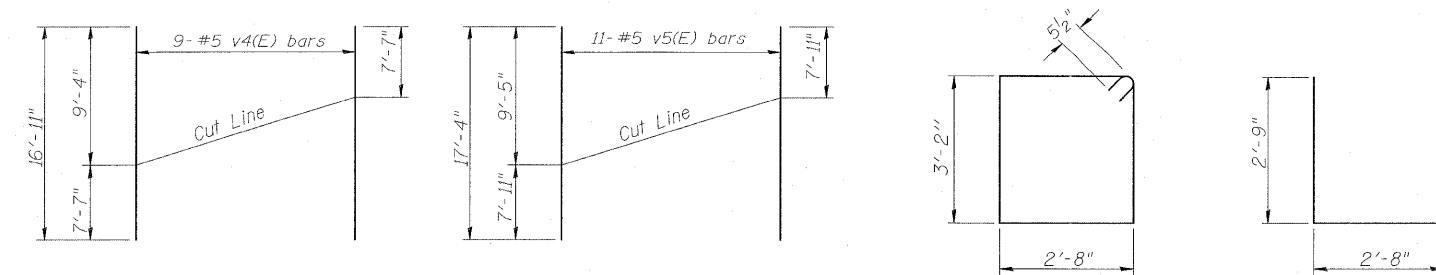
Bar	No.	Size	Length	Shape
h(E)	24	#6	13'-1"	—
h(E)	24	#6	11'-1"	—
p(E)	20	#6	22'-6"	—
s2(E)	39	#5	12'-7"	□
u(E)	8	#6	8'-2"	□
v(E)	72	#5	4'-4"	—
v4(E)	9	#5	16'-11"	—
v5(E)	11	#5	17'-4"	—
Concrete Structures		Cu. Yd.	20.0	
Reinforcement Bars, Epoxy Coated		Pound	2850	
Test Pile Metal Shell		Each	1	
Furnishing Metal Shell Piles, 12" x 0.250"		Foot	506	
Driving Piles		Foot	506	
Structure Excavation		Cu. Yd.	158	

Min. Lap Bar #6 = 2'-7"



PLAN

- Notes: 1) Pour steps monolithically with cap.  
2) Reinforcement bars designated (E) shall be epoxy coated.  
3) All edges shall have 3/4" chamfers except as noted.  
4) Hatched area to be poured with deck after beams are in place. Quantity of concrete for hatched area included with "Concrete Superstructure" on Sheet 15.  
5) The test pile shall be driven to 110 percent of the Nominal Required Bearing indicated in the pile data information.



FIELD CUTTING DIAGRAM

Order v4(E) & v5(E) full length. Cut as shown and use remainder of bars in opposite face.

BAR s2(E)

BAR u(E)

DESIGNED - JAN
CHECKED - BTO
DRAWN - BTO
CHECKED - JAN

NORTH ABUTMENT NORTHBOUND  
STRUCTURE NO. 101-0178

SHEET NO. 22 30 SHEETS	F.A.P. RTE.	SECTION	COUNTY	TOTAL SHEETS	SHEET NO.
	734	77-2B-1, 77-2-2	WINNEBAGO	530	294
CONTRACT NO. 64813					
FED. ROAD DIST. NO.		ILLINOIS FED. AID PROJECT			