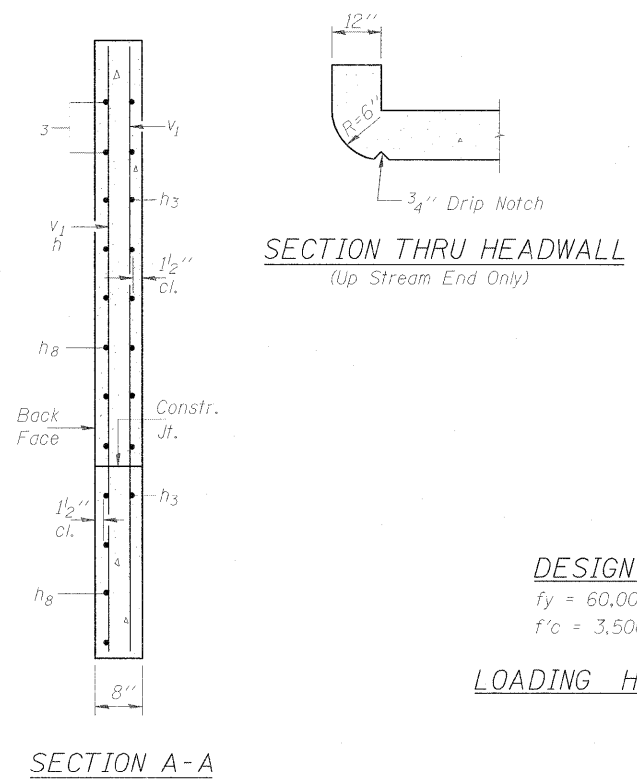
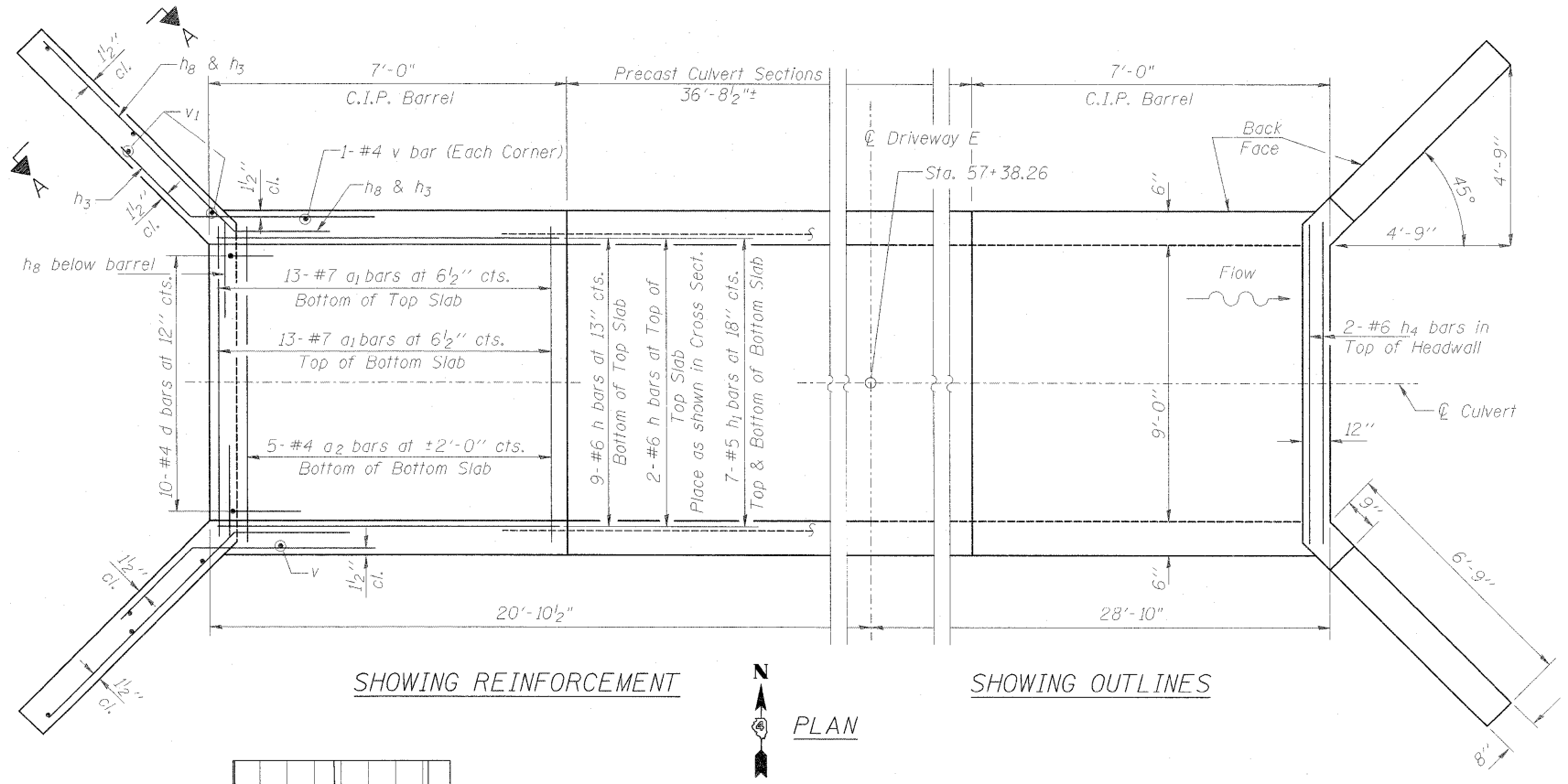
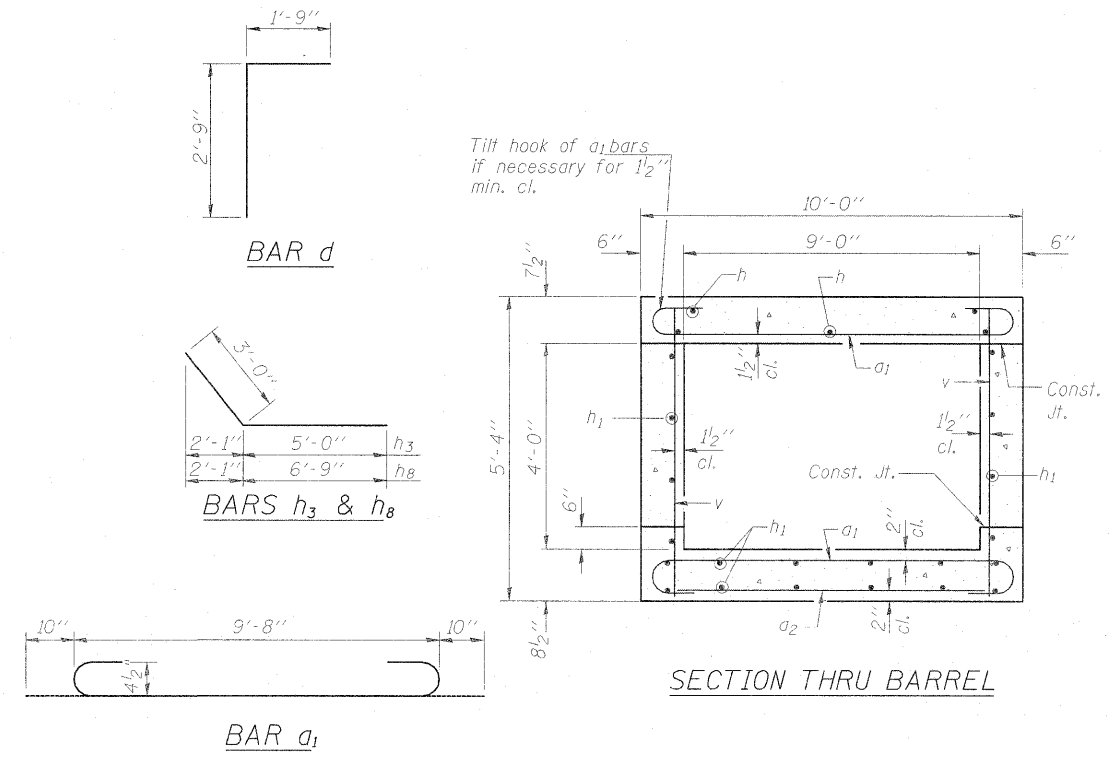
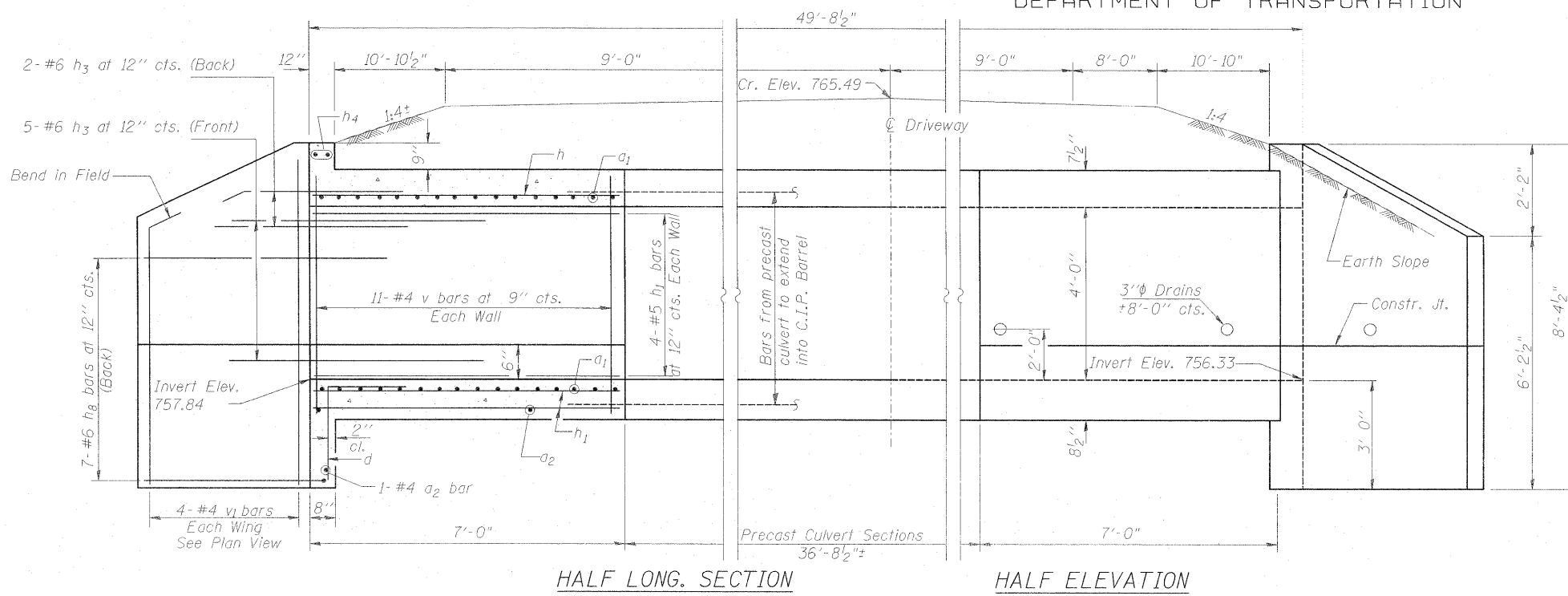


STATE OF ILLINOIS  
DEPARTMENT OF TRANSPORTATION



BILL OF MATERIAL

Bar	No.	Size	Length	Shape
a1	52	#7	11'-4"	
a2	12	#4	9'-3"	
d	20	#4	4'-6"	
h	22	#6	6'-8"	
h1	44	#5	6'-8"	
h3	28	#6	8'-0"	
h4	4	#6	9'-0"	
h8	28	#6	9'-9"	
v	44	#4	5'-0"	
v1	16	#4	8'-1"	
Concrete Box Culverts		Cu. Yd.	15.5	
Reinforcement Bars		Pound	2900	
Precast Concrete Box Culvert 9'x4'		Foot	36.7	

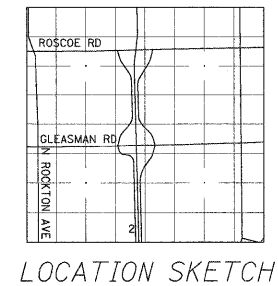
DESIGN STRESSES

$f_y = 60,000$  psi  
 $f'_c = 3,500$  psi

LOADING HS 20-44 & ALT.

NOTES

A distance of half the length of the wingwall but not less than six feet of the barrel shall be poured monolithically with the wingwalls.  
Reinforcement Bars shall conform to the requirements of AASHTO M-31, M-42 or M-53, Grade 60.  
All construction joints shall be bonded.



DESIGNED - APH
CHECKED - JAW
DRAWN - APH
CHECKED - JAW

SHEET NO. 1 1 SHEETS	F.A.P. RTE.	SECTION	COUNTY	TOTAL SHEETS	SHEET NO.
	734	77-2B-1, 77-2-2	WINNEBAGO	530	306
			CONTRACT NO. 64813		
FED. ROAD DIST. NO.		ILLINOIS FED. AID PROJECT			

ILLINOIS ROUTE 2  
CULVERT AT STA. 57+38 (DRIVEWAY E)