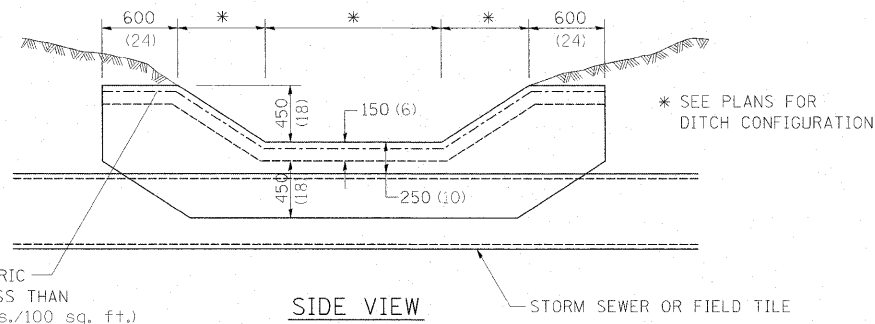


# TREATMENT OF FIELD TILE SYSTEMS UNDER DITCHES

## PAVED DITCH

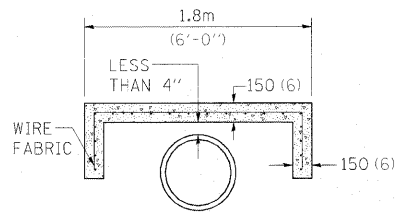
TO BE USED IF COVER OVER THE PIPE AT THE BOTTOM OF THE DITCH IS LESS THAN 250mm (10 inches)



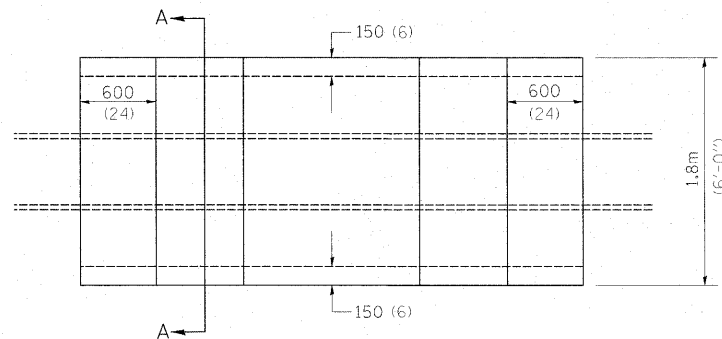
WELDED WIRE FABRIC WEIGHING NOT LESS THAN 2.83 kg/m (58 lbs./100 sq. ft.)

SIDE VIEW

STORM SEWER OR FIELD TILE



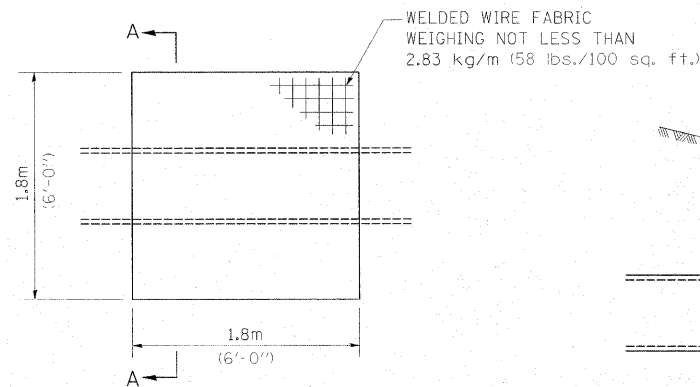
SECTION A-A



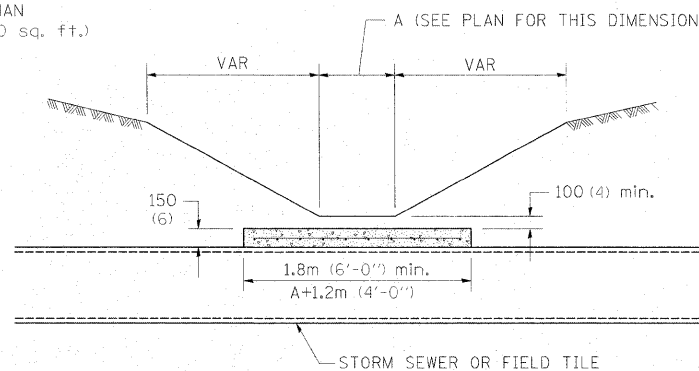
PLAN VIEW

## CONCRETE SLAB

TO BE USED IF COVER OVER THE PIPE AT THE BOTTOM OF THE DITCH IS 250mm (10 inches) TO 600mm (24 inches)



SECTION A-A



## NOTES

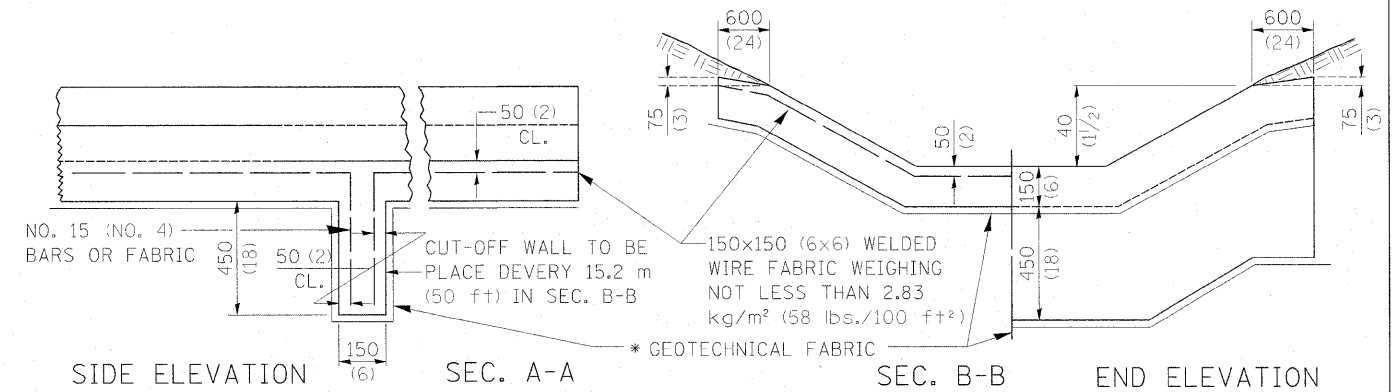
THIS WORK SHALL BE DONE IN ACCORDANCE WITH ARTICLE 611.04 OF THE STANDARD SPECIFICATION.

THE CONCRETE SLAB AND PAVED DITCH WILL BE PAID FOR AT THE CONCRETE UNIT PRICE PER CUBIC METER (CUBIC YARD) FOR MISCELLANEOUS CONCRETE.

ALL DIMENSIONS ARE IN MILLIMETERS (INCHES) UNLESS OTHERWISE NOTED.

REVISED - 10-15-04

# PAVED DITCH (SPECIAL)

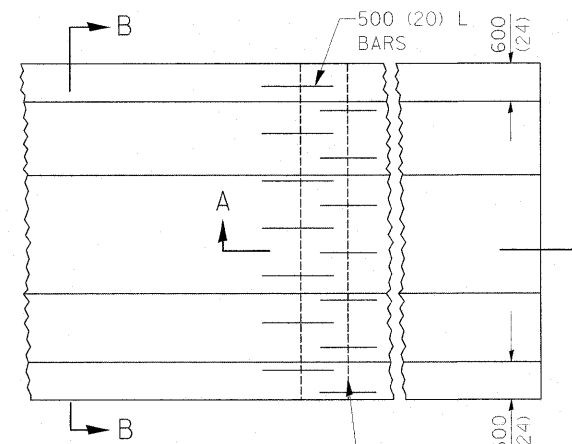


SIDE ELEVATION

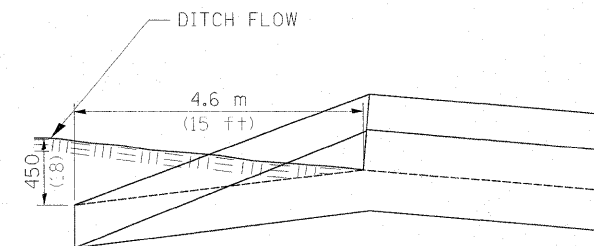
SEC. A-A

SEC. B-B

END ELEVATION



PLAN



SIDE ELEVATION SHOWING METHOD OF BURYING UP STREAM AND DOWN STREAM END OF PAVED DITCH.

( SEE NOTE )

## NOTES:

CLASS SI CONCRETE SHALL BE USED THROUGHOUT.

WELDED WIRE FABRIC SHALL BE 150x150 (6x6) MESH, NO. 15 (NO. 4) GAGE, 2.83 kg/m<sup>2</sup> (58 lbs./100 ft<sup>2</sup>), CONFORMING TO THE REQUIREMENTS OF A.S.T.M. A185.

13 (1/2) PREMOULDED JOINT FILLER SHALL BE PLACED AT THE JUNCTION OF PAVED DITCH WITH ANY OTHER STRUCTURE.

CUT-OFF WALLS SHALL BE COSTRUCTED MONOLITHICALLY WITH THE PAVED DITCH.

AT THE OPTION OF THE CONTRACTOR, NO. 15 (NO. 4) L 500 (20) REINFORCING BARS PLACED AT 300 (12) CENTERS LONGITUDINALLY IN PAVED DITCH AND VERTICALLY IN CUT-OFF WALLS IN LIEU OF THE WELDED WIRE FABRIC.

THE SOIL PLACED OVER THE 600 (24) FLATTENED SECTION OF THE DITCH SHALL BE TAMPED FIRMLY. THIS WORK SHALL BE INCLUDED IN THE UNIT PRICE FOR PAVED DITCH.

PAVED DITCH SHALL BE CONSTRUCTED IN ACCORDANCE WITH ARTICLES 606.01 THROUGH 606.13.

ALL DIMENSIONS ARE IN MILLIMETERS (INCHES) UNLESS OTHERWISE NOTED.

\* THE GEOTECHNICAL FABRIC IS INCLUDED IN THE PAVED DITCH.

## BASIS OF PAYMENT

PAVED DITCH (SPECIAL) WILL BE PAID FOR AT THE CONTRACT UNIT PRICE PER METER (FOOT) MEASURED IN PLACE INCLUDING THE COST OF FURNISHING AND PLACING THE JOINT FILLER, THE WELDED WIRE FABRIC OR THE NO. 15 (NO. 4) REINFORCING BARS, AND THE NECESSARY EXCAVATION AND DISPOSAL OF SURPLUS MATERIALS.

REVISED - 10-15-10	REGION 2 / DISTRICT 2 STANDARD	F.A.P. RTE.	SECTION	COUNTY	TOTAL SHEETS	SHEET NO.	
REVISED -		734	77-2-2 & 77-2B-1	WINNEBAGO	530	317	
REVISED -		CONTRACT NO. 64813					
REVISED -		SCALE: 50x0.000 = 1" / SHEET NO. 317 OF 530 SHEETS	STA.	TO STA.	FED. ROAD DIST. NO. ILLINOIS FED. AID PROJECT		

PLOT DATE = 2/2/2011