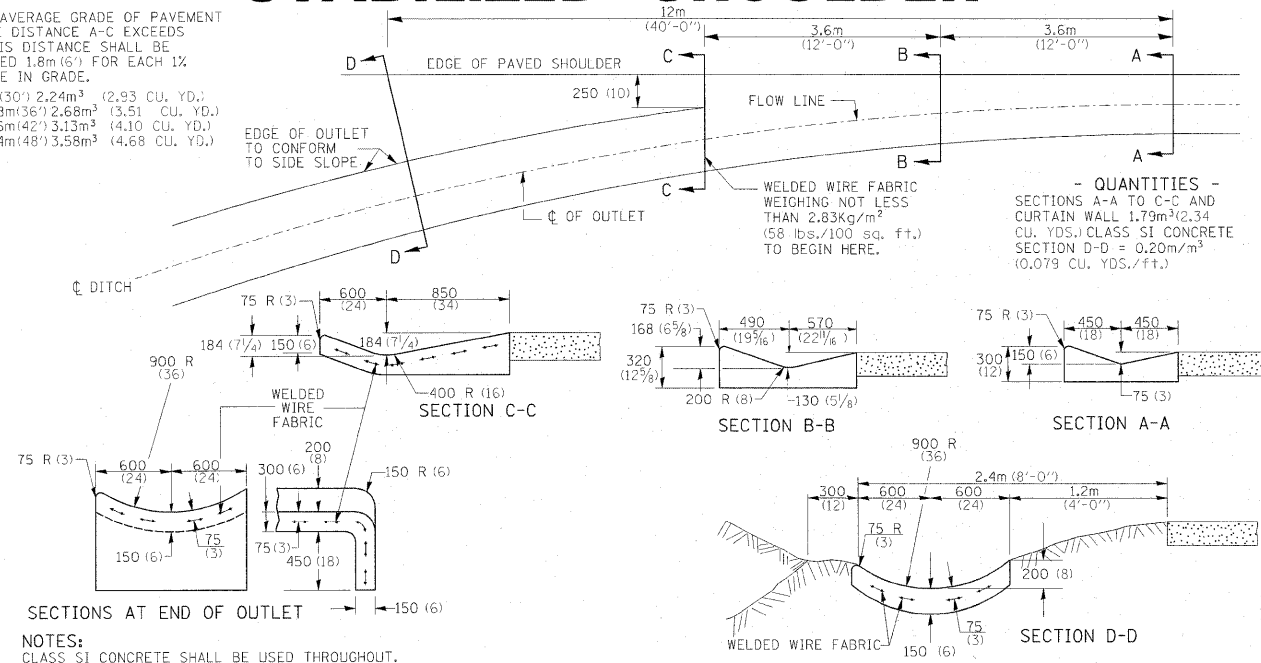


GUTTER OUTLET ADJACENT TO STABILIZED SHOULDER

NOTE:
IF THE AVERAGE GRADE OF PAVEMENT FOR THE DISTANCE A-C EXCEEDS 2%, THIS DISTANCE SHALL BE INCREASED 1.8m (6') FOR EACH 1% INCREASE IN GRADE.

3 % 9m (30') 2.24m³ (2.93 CU. YD.)
4 % 10.8m (36') 2.68m³ (3.51 CU. YD.)
5 % 12.6m (42') 3.13m³ (4.10 CU. YD.)
6 % 14.4m (48') 3.58m³ (4.68 CU. YD.)



NOTES:
CLASS SI CONCRETE SHALL BE USED THROUGHOUT.
THE GUTTER OUTLET WILL BE PAID FOR AT THE CONTRACT UNIT PRICE PER m³ FOR CLASS SI CONCRETE (OUTLETS), WHICH PRICE SHALL INCLUDE THE COST OF THE WELDED WIRE FABRIC REINFORCEMENT

REVISED - 5-04-94

ALL DIMENSIONS ARE IN MILLIMETERS (INCHES) UNLESS OTHERWISE NOTED.

GUTTER OUTLET ADJACENT TO STABILIZED SHOULDER

15.4

REVISED -	REGION 2 / DISTRICT 2 STANDARD	F.A.P. RTE.	SECTION	COUNTY	TOTAL SHEETS	SHEET NO.	
REVISED -		734	77-2-2 & 77-28-1	WINNEBAGO	530	321	
REVISED -		CONTRACT NO. 64813					
REVISED -		SCALE: 1:10,000	SHEET NO. 321 OF 530 SHEETS	STA.	TO STA.	FED. ROAD DIST. NO.	ILLINOIS FED. AID PROJECT
REVISED -							