






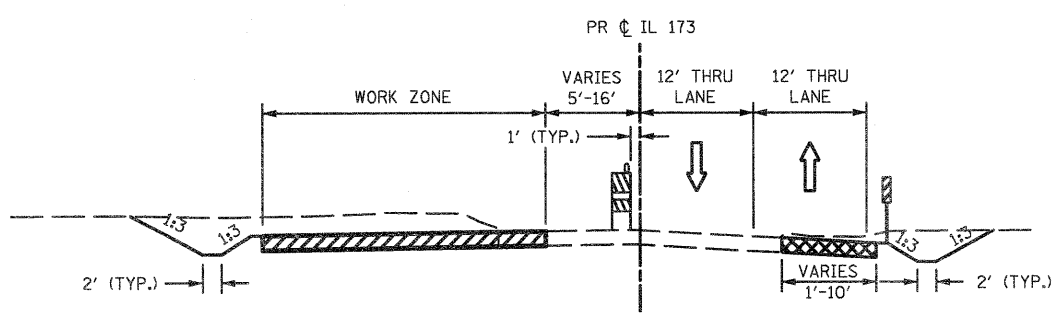
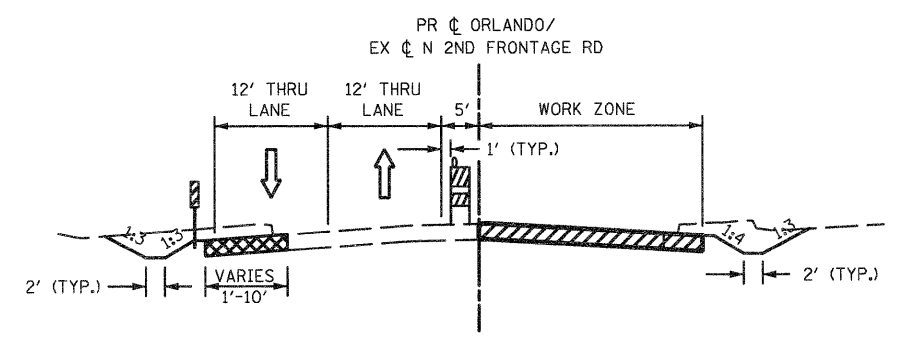


LEGEND

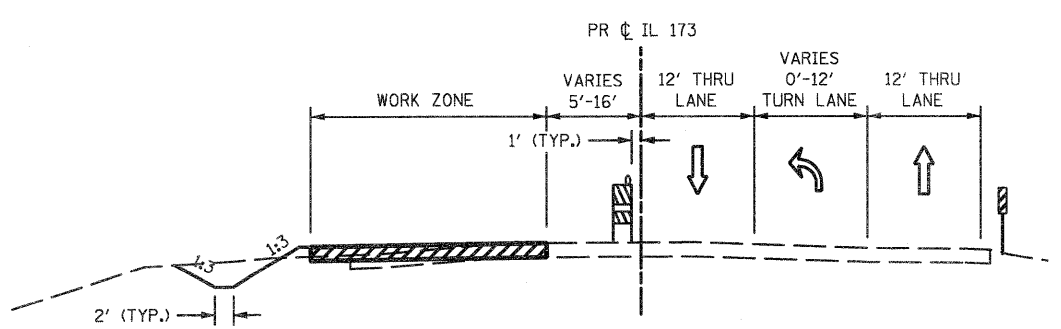
-  PAVEMENT CONSTRUCTION
-  TEMPORARY PAVEMENT
-  NEWLY CONSTRUCTED PAVEMENT (PREVIOUS STAGES)
-  TYPE II BARRICADE OR DRUM
-  DIRECTION OF TRAFFIC
-  VERTICAL PANEL
-  TEMPORARY CONCRETE BARRIER



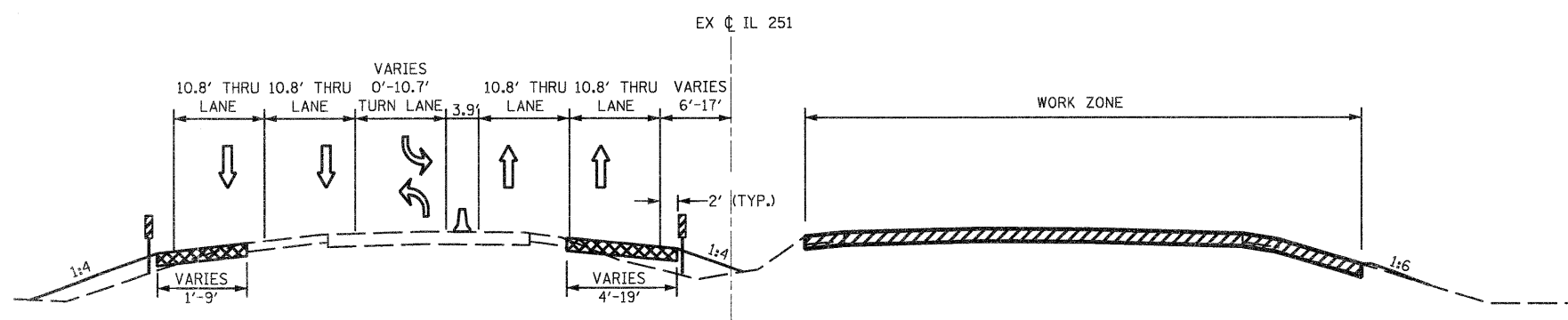
IL 173 TYPICAL SECTION  
STA 986+57.79 - 995+72.52



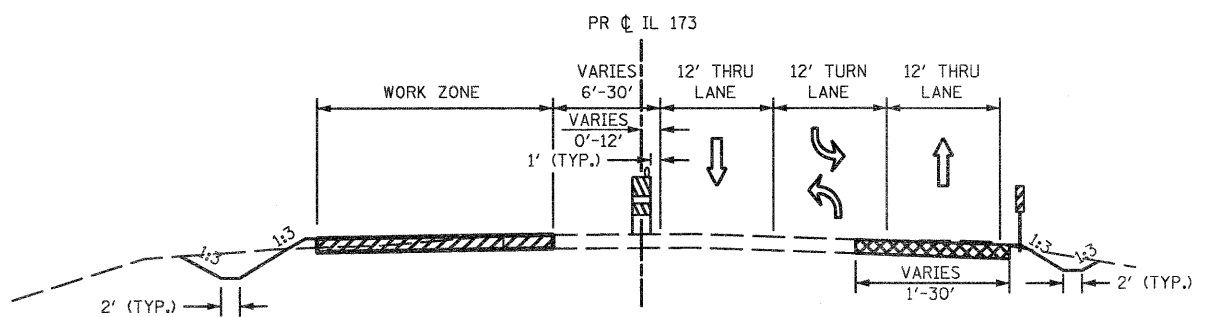
ORLANDO ST / N 2D FRONTAGE RD  
TYPICAL SECTION  
STA 77+32.96 - STA 313+68.05



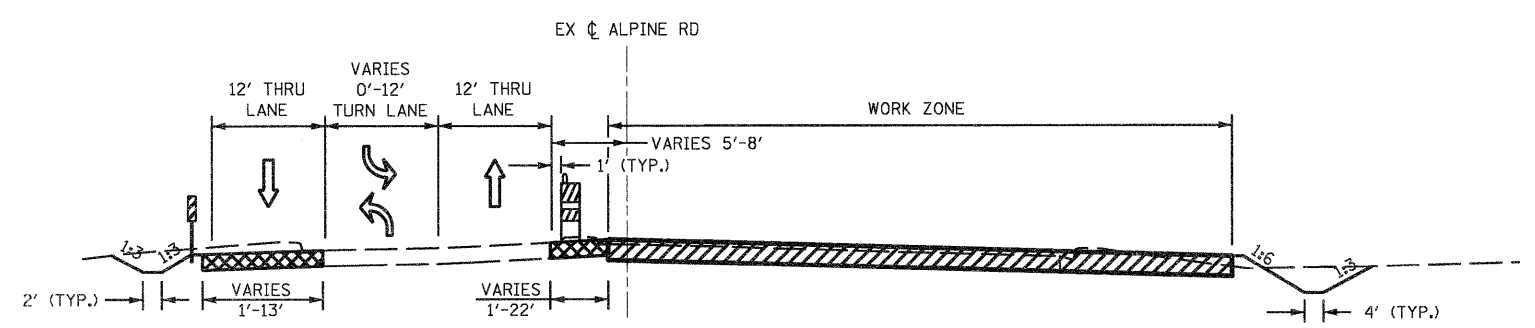
IL 173 TYPICAL SECTION  
STA 995+72.52 - 999+57.48



IL 251 TYPICAL SECTION  
STA 862+68.96 - STA 878+83.13



IL 173 TYPICAL SECTION  
STA 999+57.48 - 1028+02.08  
NOTE: CONCRETE BARRIER TO BE INSTALLED IN LIEU OF TYPE II BARRICADES BETWEEN STA 1018+10.66 AND 1024+59.00



ALPINE RD TYPICAL SECTION  
STA 266+41.73 - 275+00.00  
NOTE: CONCRETE BARRIER TO BE INSTALLED IN LIEU OF TYPE II BARRICADES BETWEEN STA 269+00.00 AND 272+00.00

FILE NAME = 0264987-shr-staging-003.dgn	USER NAME = 3222090971	DESIGNED - LOM	REVISED -	<b>STATE OF ILLINOIS DEPARTMENT OF TRANSPORTATION</b>	<b>STAGING AND TRAFFIC CONTROL TYPICAL SECTIONS STAGE 1A, 1B, 1C</b>			F.A.P. RTE. 303	SECTION 129K-1	COUNTY WINNEBAGO	TOTAL SHEETS 401	SHEET NO. 78
	PLOT SCALE = 20.0000' / IN.	DRAWN - MD	REVISED -		SCALE: N/A	SHEET NO. OF SHEETS	STA. TO STA.	FED. ROAD DIST. NO. 2 ILLINOIS FED. AID PROJECT				
PLOT DATE = 1/19/2011	CHECKED - PDK	DATE - 01-19-2011	REVISED -				CONTRACT NO. 64987					