





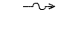



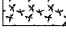


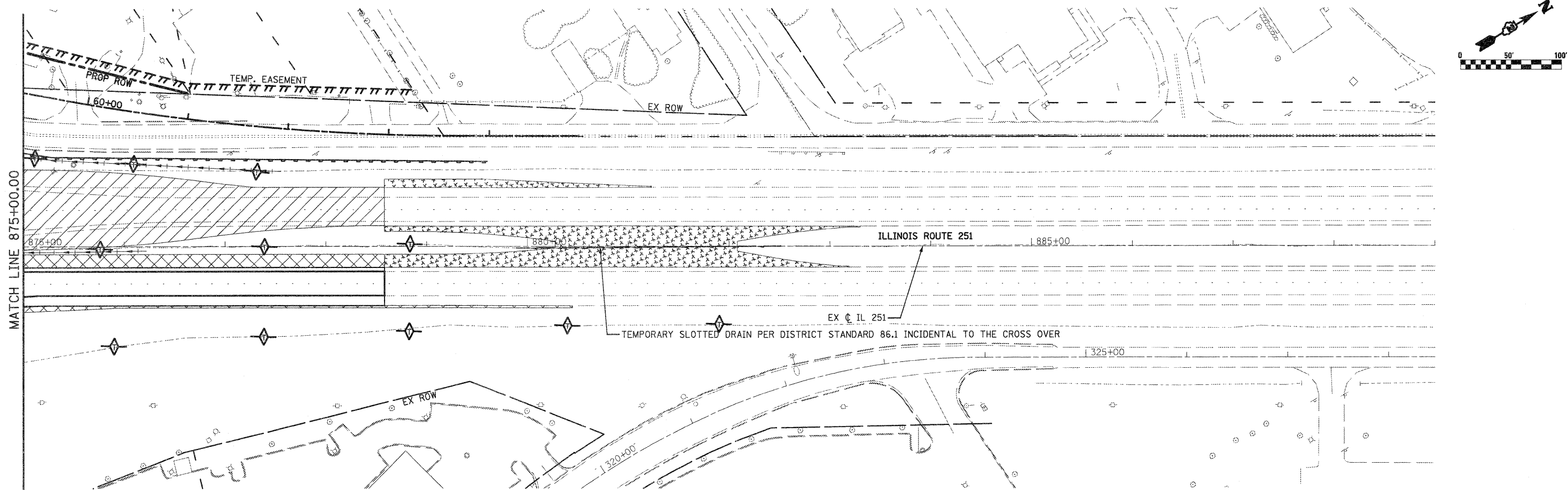
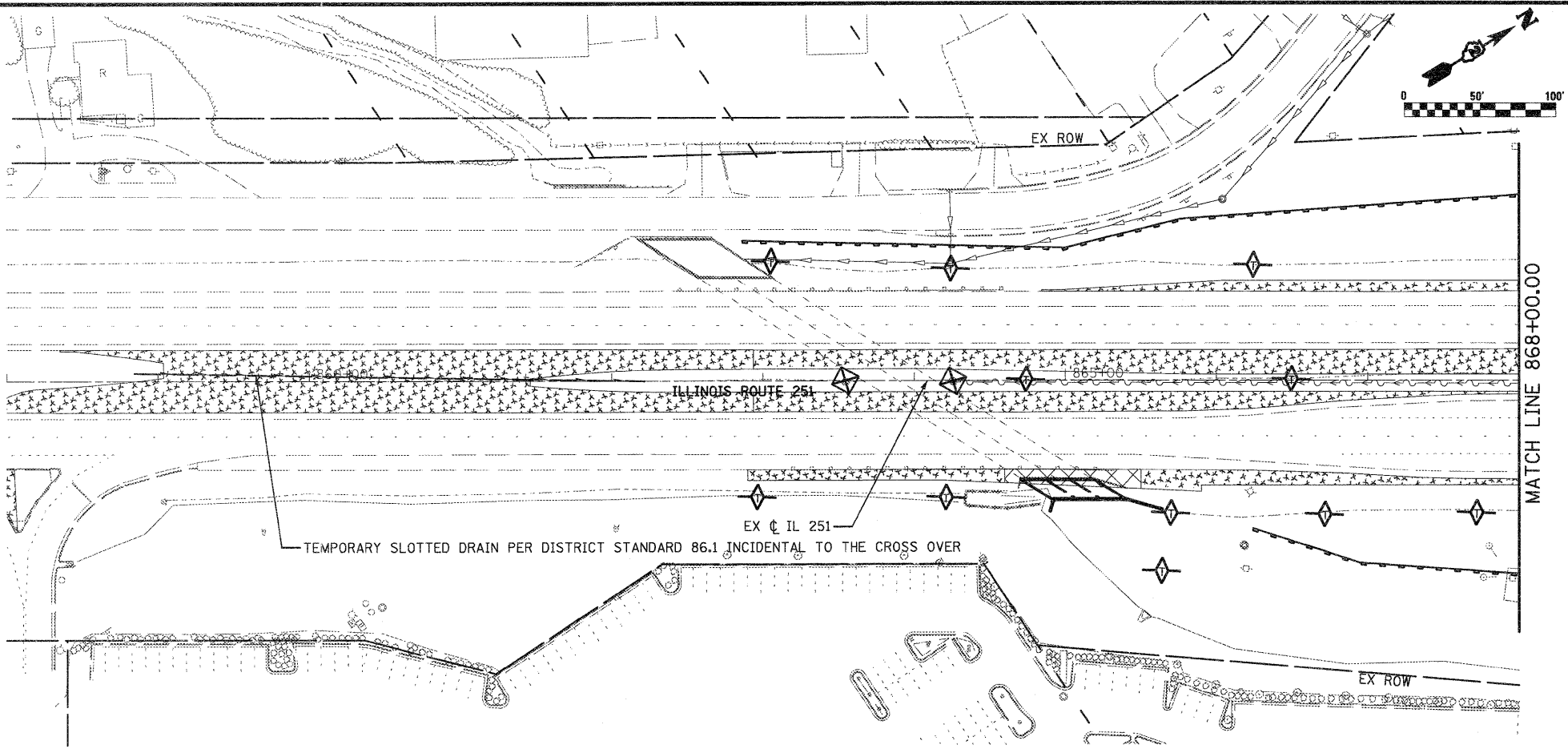


LEGEND

-  TEMPORARY DITCH CHECK
-  INLET & PIPE PROTECTION
-  PERIMETER EROSION BARRIER
-  ① REMOVE EXISTING CLOSED LID FROM TYPE 1 FRAME AND REPLACE W/ OPEN LID, ADJUST RIM TO GRADE
-  ② REMOVE TOP OF EXISTING INLET AND COVER W/ STEEL PLATE
-  EXISTING STORM SEWER
-  TEMPORARY DITCH
-  TEMPORARY SWALE
-  CONSTRUCTION ZONE
-  TEMPORARY PAVEMENT
-  TEMPORARY PAVEMENT FROM PREVIOUS STAGE
-  PERMANENT DITCH
-  TEMPORARY/PROPOSED STORM SEWER

NOTES:

1. FOR MORE DRAINAGE INFORMATION SEE PROPOSED DRAINAGE PLANS.
2. PERIMETER EROSION BARRIER IS LOCATED ON TEMP. EASEMENT/PERM. EASEMENT/R.O.W. LINE AS SHOWN ON THE PLANS.
3. FOR MORE STAGE CONSTRUCTION INFORMATION SEE STAGING AND TRAFFIC CONTROL PLANS.



FILE NAME = D264987-shr-eros185.dgn	USER NAME = 3202090971	DESIGNED - LOM	REVISED -	STATE OF ILLINOIS DEPARTMENT OF TRANSPORTATION	STORM WATER POLLUTION PREVENTION PLAN & TEMPORARY DRAINAGE			F.A.P. RTE. 303	SECTION 129K-1	COUNTY WINNEBAGO	TOTAL SHEETS 401	SHEET NO. 180
PLOT SCALE = 100.0000' / IN.		CHECKED - PDK	REVISED -		STAGE 1B 858+00.00 868+00.00			CONTRACT NO. 64987				
PLOT DATE = 1/18/2011		DATE - 01-19-2011	REVISED -		SCALE: SHEET NO. OF SHEETS STA. 875+00.00 TO STA. 889+00.00			FED. ROAD DIST. NO. 2 ILLINOIS FED. AID PROJECT				