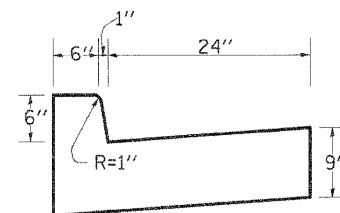
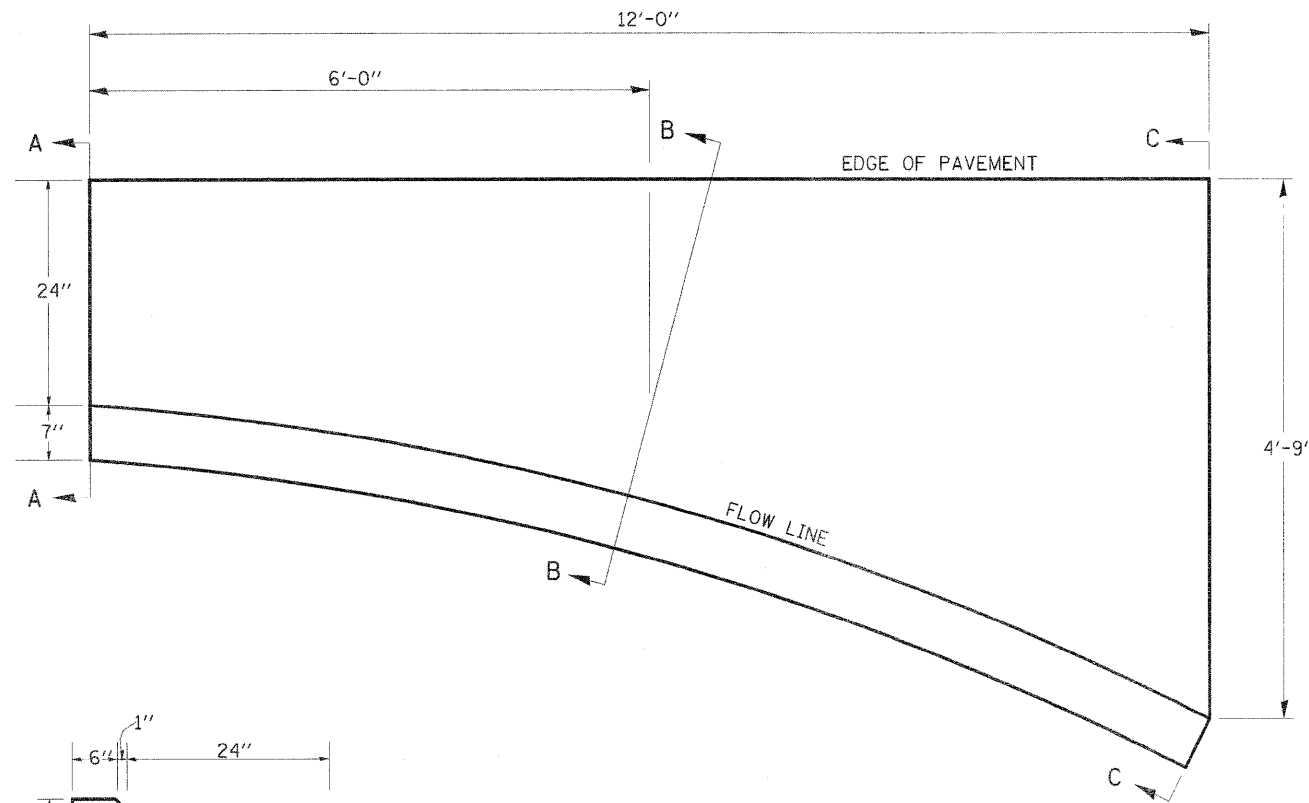
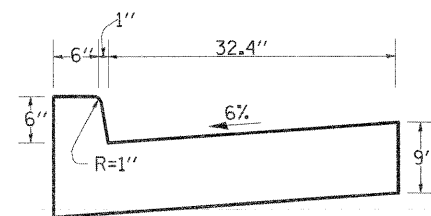


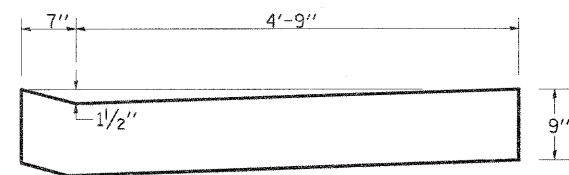
# STANDARD INLET FOR CURB & GUTTER TYPE B-6.24



SECTION A-A



SECTION B-B



SECTION C-C

### NOTES

Class SI Concrete shall be used throughout.

The Curb and Gutter Inlet will be paid for at the contract unit price per cubic yard for Class SI Concrete (OUTLETS).

Joints shall be constructed in accordance with the requirements of Article 606.07 of the Standard Specifications.

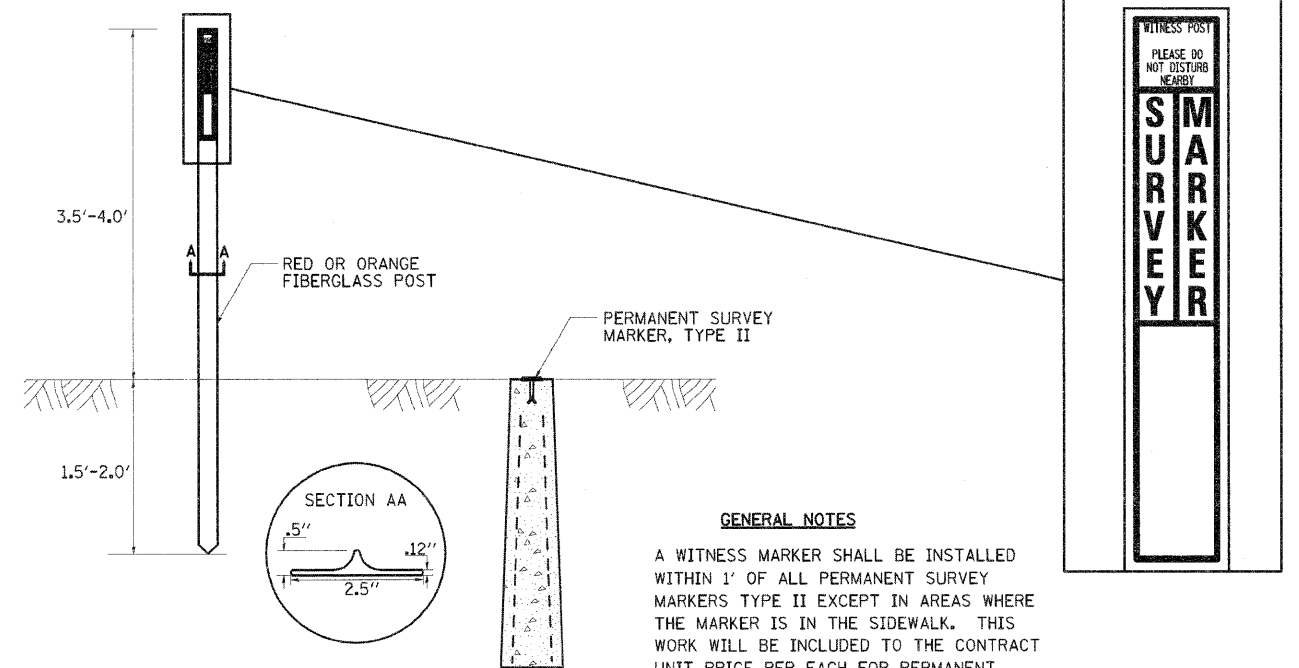
When curb and gutter is constructed adjacent to flexible pavement, a 1" expansion joint shall be installed at construction joints.

- QUANTITY -

Section A-A to C-C  
(1.23 Cu. Yds.)  
Class SI Concrete

REVISED - 10-10-06

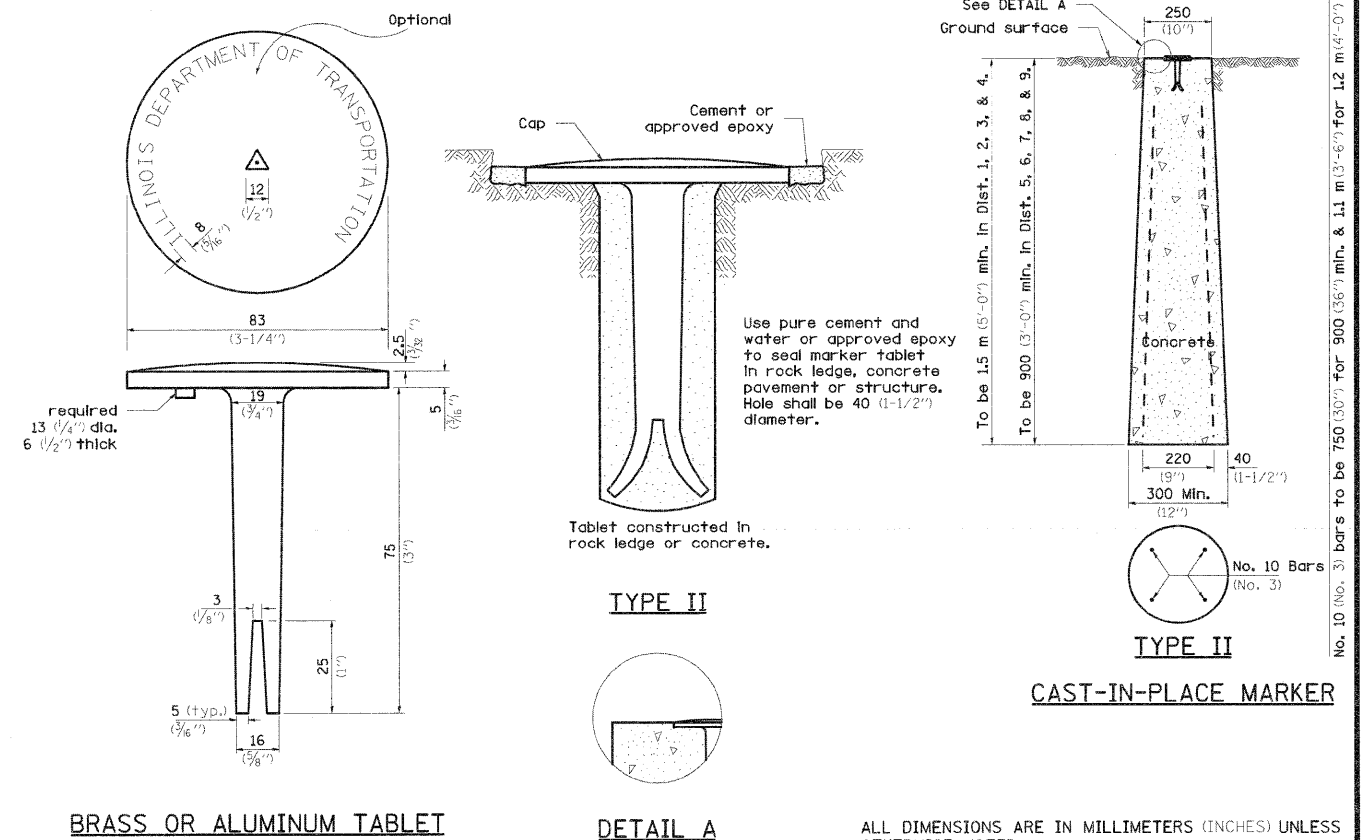
# WITNESS MARKER FOR PERMANENT SURVEY MARKERS, TYPE II



### GENERAL NOTES

A WITNESS MARKER SHALL BE INSTALLED WITHIN 1' OF ALL PERMANENT SURVEY MARKERS TYPE II EXCEPT IN AREAS WHERE THE MARKER IS IN THE SIDEWALK. THIS WORK WILL BE INCLUDED TO THE CONTRACT UNIT PRICE PER EACH FOR PERMANENT SURVEY MARKERS, TYPE II.

# PERMANENT SURVEY MARKERS, TYPE II



BRASS OR ALUMINUM TABLET

DETAIL A

TYPE II

TYPE II

CAST-IN-PLACE MARKER

Use pure cement and water or approved epoxy to seal marker tablet in rock ledge, concrete pavement or structure. Hole shall be 40 (1-1/2") diameter.

ALL DIMENSIONS ARE IN MILLIMETERS (INCHES) UNLESS OTHERWISE NOTED.

REVISED - 10-21-08	REGION 2 / DISTRICT 2 STANDARD	F.A. RTE.	SECTION	COUNTY	TOTAL SHEETS	SHEET NO.
REVISED -		303	129K-1	WINNEBAGO	401	292
REVISED -		SCALE: 100,0000 1" = 100'	SHEET NO. OF SHEETS STA. TO STA.		CONTRACT NO. 64987	
REVISED -		FED. ROAD DIST. NO. 2 ILLINOIS FED. AID PROJECT				