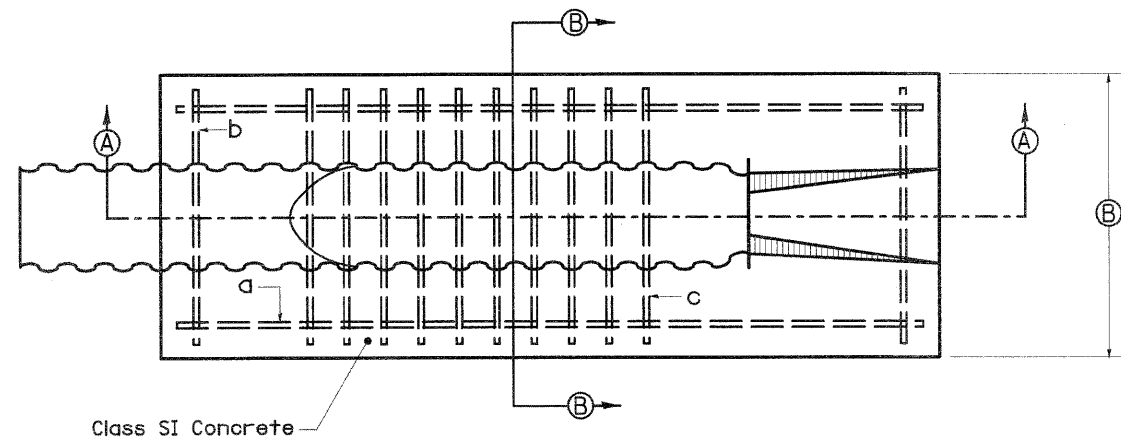


# BEVELED PIPE & GUARD DETAIL FOR MEDIAN CROSSOVER



PLAN VIEW

12 PIPE REINFORCING SCHEDULE			
Mark Req'd	Bar Size	Length	No.
a	5	110	2
b	5	32	2
c	8	34	10

18 PIPE REINFORCING SCHEDULE			
Mark Req'd	Bar Size	Length	No.
a	5	162	2
b	5	38	2
c	8	40	18

**GENERAL NOTES:**

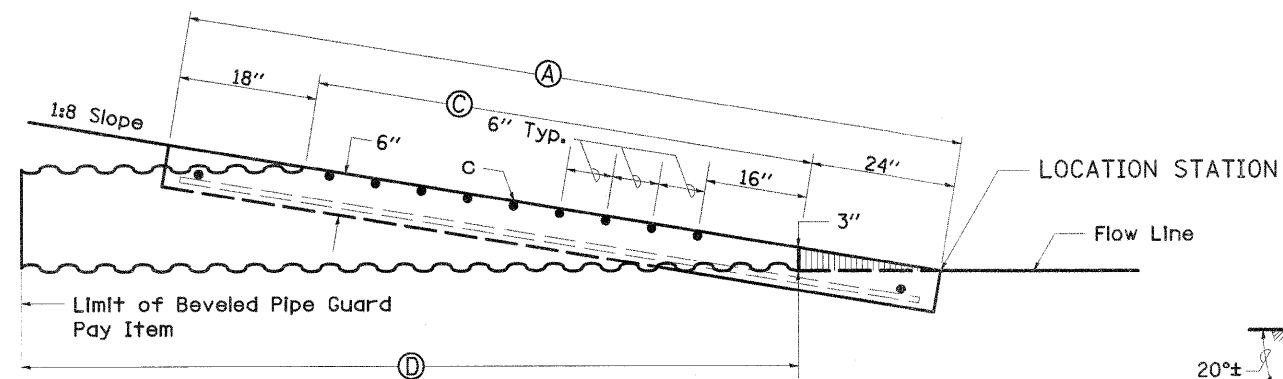
Details shown hereon are for the construction of beveled pipe and guard. Alternate designs, methods of construction or materials may be submitted to the Engineer for approval. All methods of construction and materials involved shall conform to current Standard Specifications.

Reinforcing steel used in construction of "Beveled Pipe and Guard" shall be deformed bars meeting the requirements of Article 1006.10 of the Standard Specifications. All steel bars shall be hot-dip galvanized in accordance with ASTM A 123 specifications.

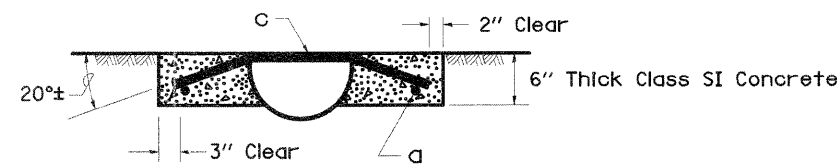
Concrete used in construction of the beveled pipe and guard shall be Class "SI" Concrete.

The corrugated metal pipe shall be cut to fit the 1:8 foreslope. Slots shall be cut into the C.M.P. for placement of the 'b' and 'c' bars. After the foreslope has been placed, the 'b' and 'c' bars shall be fitted into the slots cut in the C.M.P. so they will be in proper position when the concrete collar is poured.

This work shall be paid for at the contract unit price per Each for "Beveled Pipe and Guard", as shown hereon and as directed by the Engineer.



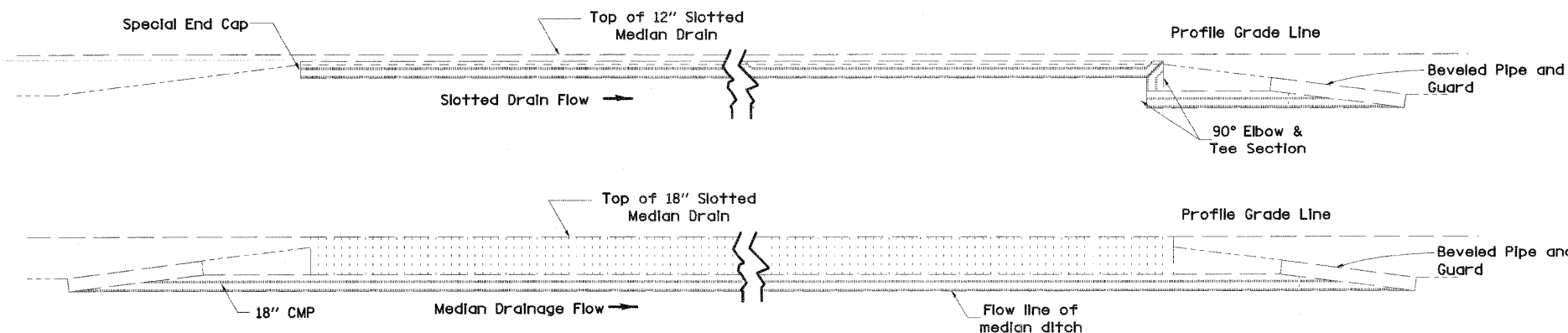
SECTION A-A



SECTION B-B

TABLE OF DIMENSIONS				
PIPE SIZE	A	B	C	D
12	9' - 6"	36	6'	10'
18	13' - 10"	42	10' - 4"	14' - 10"

## TYPICAL SECTION THRU CENTERLINE OF MEDIAN CROSSOVER



ALL DIMENSIONS ARE IN INCHES UNLESS OTHERWISE NOTED.

FILE NAME = 0264987-sht-detaila-308.dgn	USER NAME = 3202090971	DESIGNED -	REVISED - 5-27-09	<b>STATE OF ILLINOIS DEPARTMENT OF TRANSPORTATION</b>	<b>REGION 2 / DISTRICT 2 STANDARD</b>	F.A. RTE. 303	SECTION 129K-1	COUNTY WINNEBAGO	TOTAL SHEETS 401	SHEET NO. 303
PLOT SCALE = 100.0000' / IN.	CHECKED -	REVISED -	SCALE: SHEET NO. OF SHEETS STA. TO STA.			FED. ROAD DIST. NO.	ILLINOIS FED. AID PROJECT	CONTRACT NO. 64987		
PLOT DATE = 1/18/2011	DATE -	REVISED -								