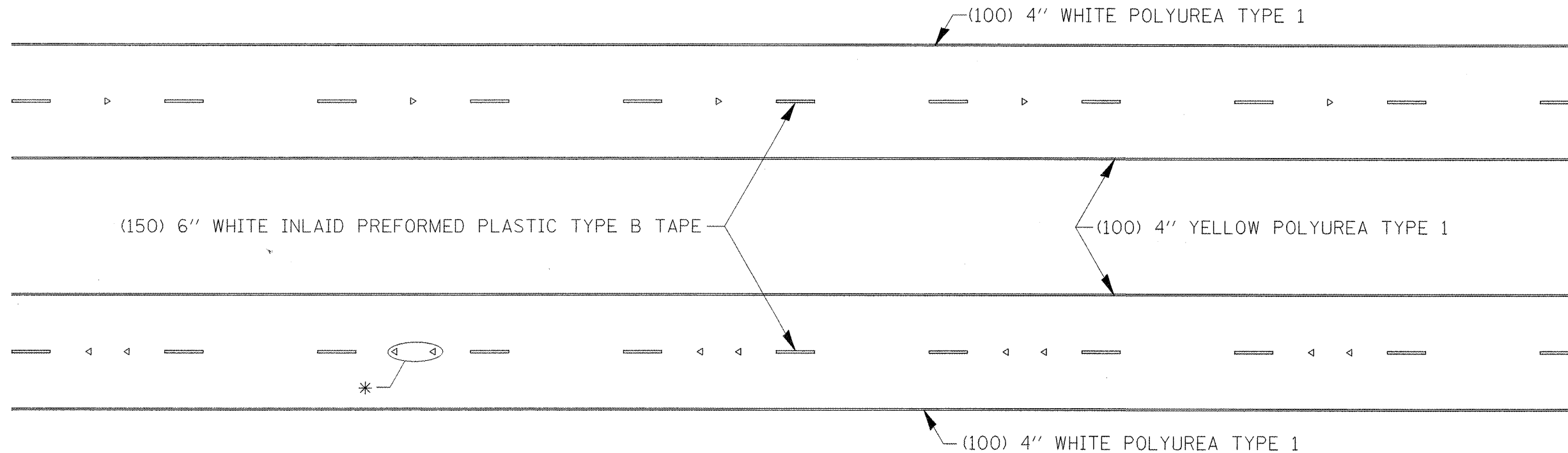
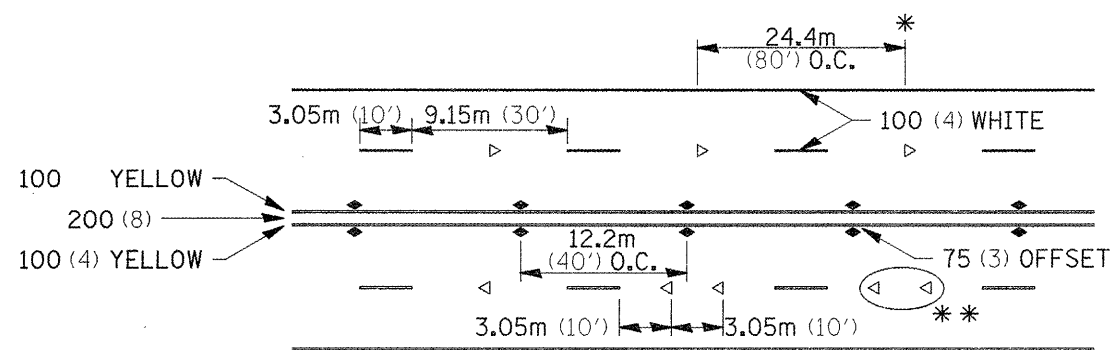


# TYPICAL PAVEMENT MARKINGS



\* SEE HIGHWAY STANDARD 781001 FOR SPACING DETAILS.  
USE DOUBLE MARKERS WHEN ADT ≥ 25,000.

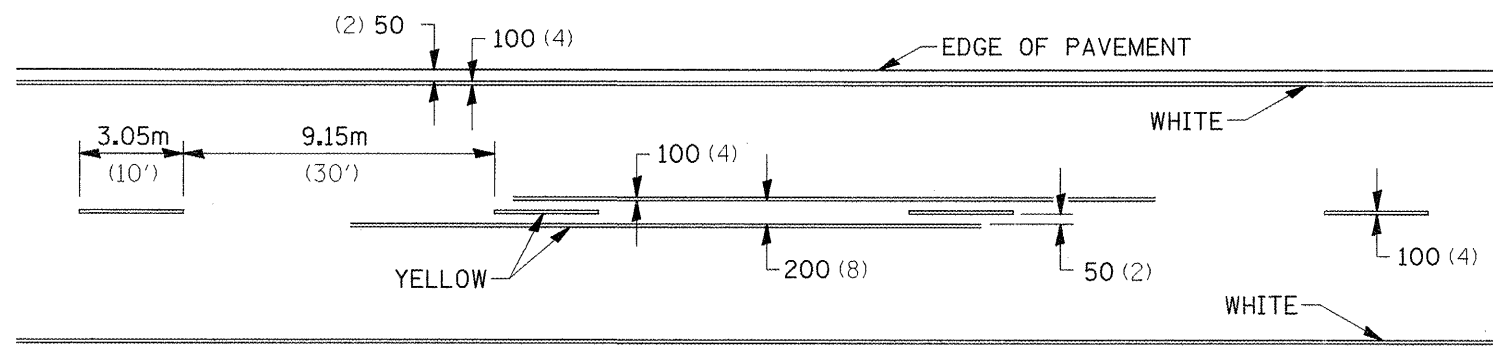
## MULTI-LANE / DIVIDED



\* REDUCE TO 12.2m (40') O.C. ON CURVES WHERE ADVISORY SPEEDS ARE 15Km/H (10MPH) LOWER THAN POSTED SPEEDS.  
\*\* USE DOUBLE MARKERS WHEN ADT ≥ 25,000

## MULTI-LANE / UNDIVIDED

## TYPICAL PAVEMENT MARKING FOR TWO LANE SECTION – NO PASSING ZONES



SYMBOLS

FILE NAME =	USER NAME = lilye	DESIGNED -	REVISED - 10-21-08	<b>STATE OF ILLINOIS DEPARTMENT OF TRANSPORTATION</b>	<b>REGION 2 / DISTRICT 2 STANDARD</b>	F.A.P. RTE.	SECTION	COUNTY	TOTAL SHEETS	SHEET NO.
G:\Projects\Winnebago\64H13_Pond_to_Cedar_Smart\Half\rych\0207811-sht.dgn	DRAWN -	REVISED -	742			(32, 33)RS-3	WINNEBAGO	17	17	
PLOT SCALE = 50.0000 / IN.	CHECKED -	REVISED -	CONTRACT NO. 64H13							
PLOT DATE = Thu Mar 10 09:47:04 2011	DATE -	REVISED -	ILLINOIS FED. AID PROJECT							
SCALE:						SHEET NO.	OF SHEETS	STA.	TO STA.	FED. ROAD DIST. NO.