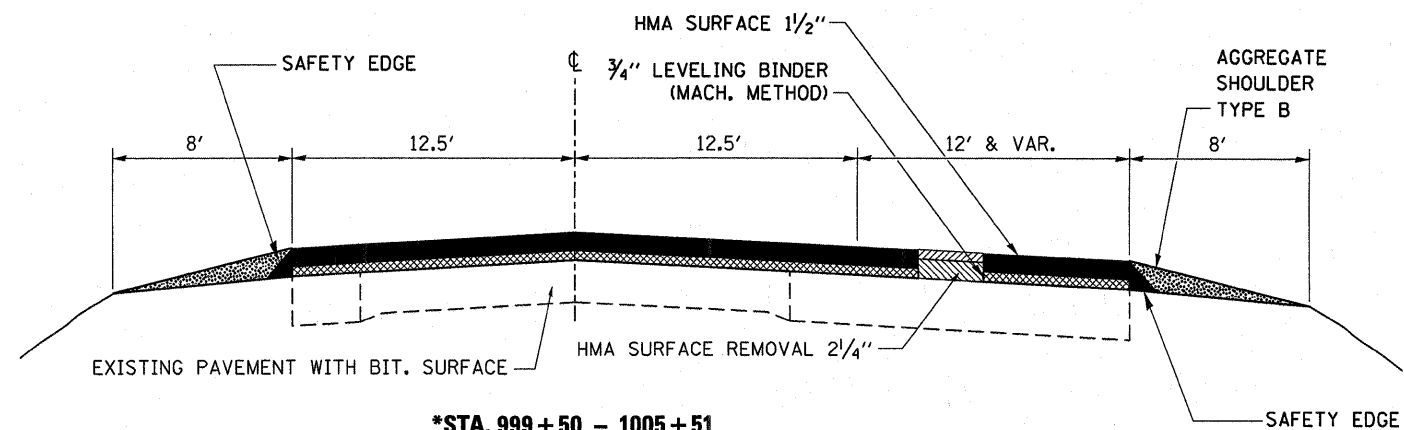
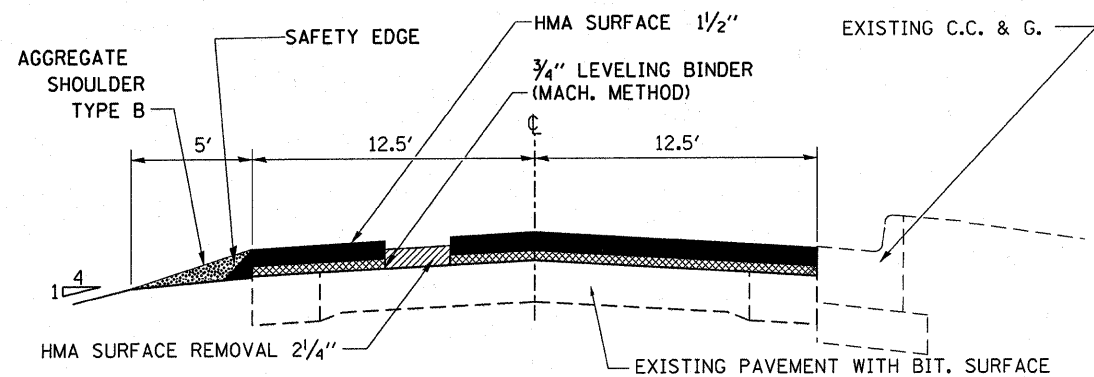


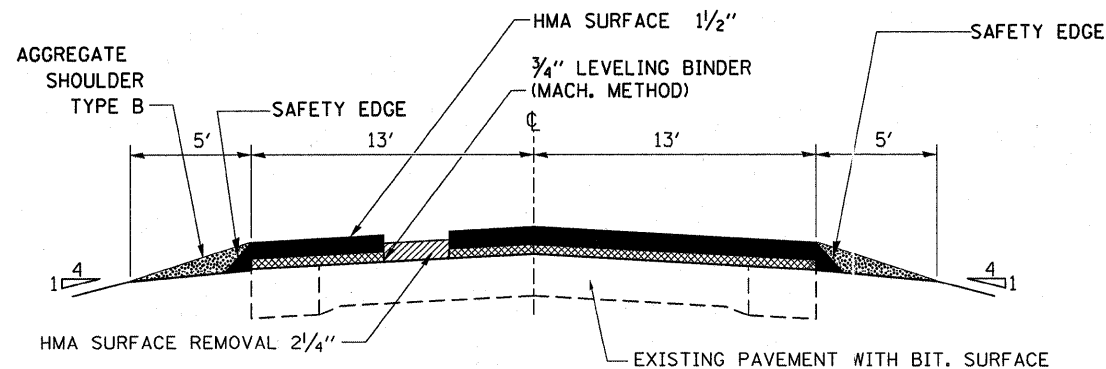
	HMA LEVEL BINDER	HMA SURFACE
PG GRADE	PG 64-22	PG 64-22
DESIGN AIR VOIDS	4.0% @ N50	4.0% @ N50
MIXTURE COMPOSITION	IL 9.5	IL 9.5
FRICTION AGGREGATE		MIXTURE C
DENSITY CONTROL LIMITS	Cores	Cores



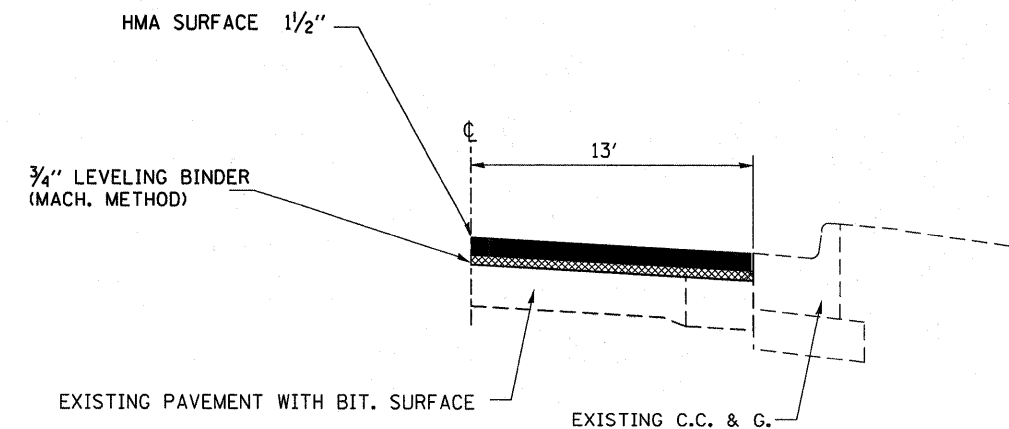
***STA. 999+50 - 1005+51
INTERMIT. CURB ON LEFT**



**STA. 955+69 - 964+52
INTERM. CURB LEFT**



**STA. 1005+51 - 1012+51
SEE HALF TYP. RIGHT**



STA. RT 1005+51 - 1006+72

FILE NAME =
c:\pwwork\pwwork\mccallister\d0125088\d0125088.dwg

USER NAME = mcallister
DESIGNED -
DRAWN -
CHECKED -
PLOT DATE = 4/19/2011

DESIGNED -
DRAWN -
CHECKED -
DATE -

REVISED -
REVISED -
REVISED -
REVISED -

**STATE OF ILLINOIS
DEPARTMENT OF TRANSPORTATION**

TYPICAL SECTIONS

SCALE: SHEET NO. 1 OF 1 SHEETS STA. 950+79 TO STA. 1000+00

F.A. RTE.	SECTION	COUNTY	TOTAL SHEETS	SHEET NO.
698	(22)RS-5	BUREAU	18	4
CONTRACT NO. 66917			ILLINOIS FED. AID PROJECT	