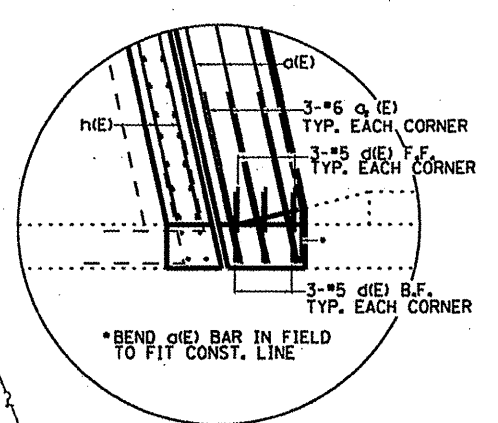
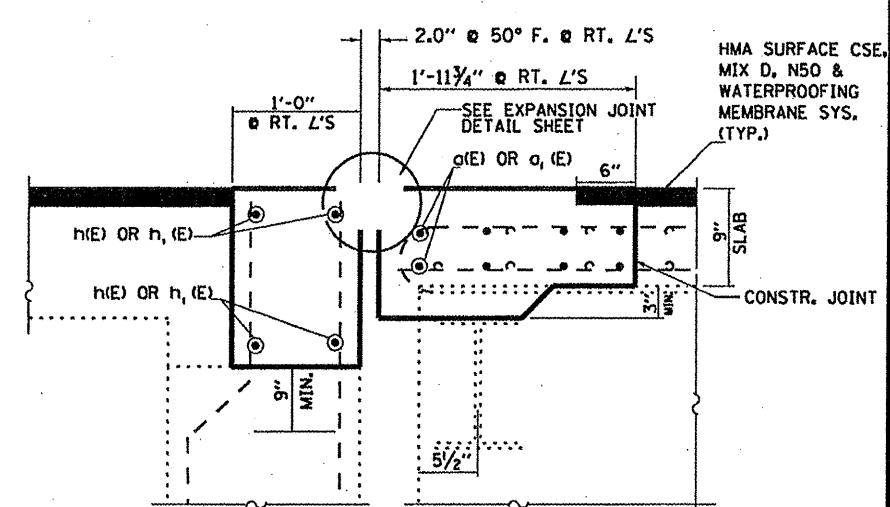


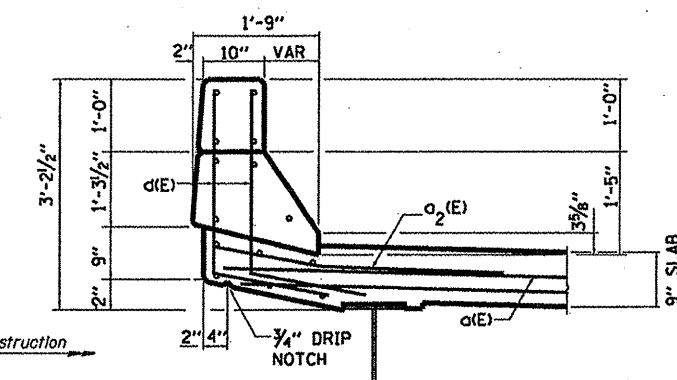
MEDIAN SECTION
AT EXPANSION JOINT



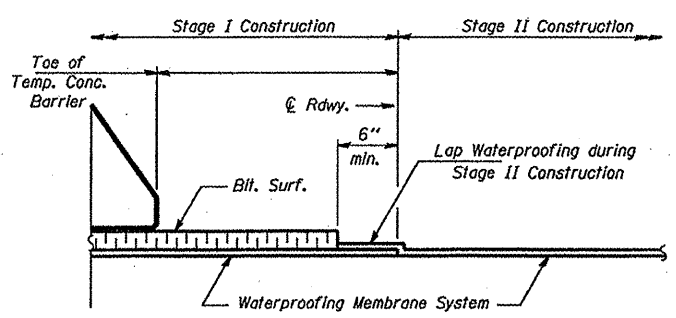
CORNER DETAIL



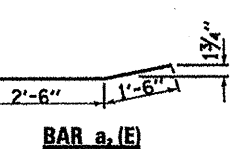
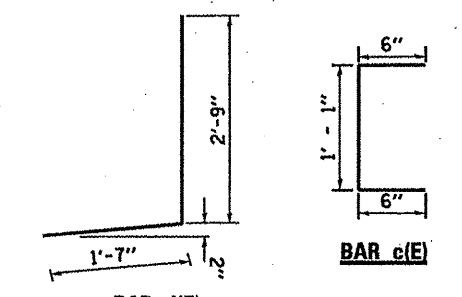
SECTION B-B
AT EXPANSION JOINT



CURB SECTION
AT EXPANSION JOINT



WATERPROOFING TREATMENT
AT STAGE CONSTRUCTION



BILL OF MATERIAL

Bar	No.	Size	Length	Shape
a(E)	32	6	19'-4"	—
a1(E)	32	6	29'-0"	—
a2(E)	12	6	4'-0"	—
a3(E)	16	5	9'-0"	—
c(E)	48	6	2'-1"	┌
d(E)	24	4	4'-4"	└
h(E)	16	6	18'-4"	—
h1(E)	16	6	29'-0"	—
h2(E)	8	6	9'-0"	—
Concrete Removal		Cu. Yd.	25.4	
Concrete Superstructure		Cu. Yd.	25.3	
Reinforcement Bars, Epoxy Coated		Lbs.	4010	

Bars indicated thus 4 x 2-#6 etc. indicates 4 line of bars with 2 lengths per line.
(E) Denotes Epoxy Coated.

BILL OF MATERIAL

ITEM	UNIT	QUANTITY
PROTECTIVE COAT	Sq Yd	73

EXPANSION JOINT DETAILS
IL RTE. 23 OVER OTTER CREEK
FAP 68 (IL 23) SEC. (6B-1)I
LASALLE COUNTY
STA. 142+08
S.N. 050-0160