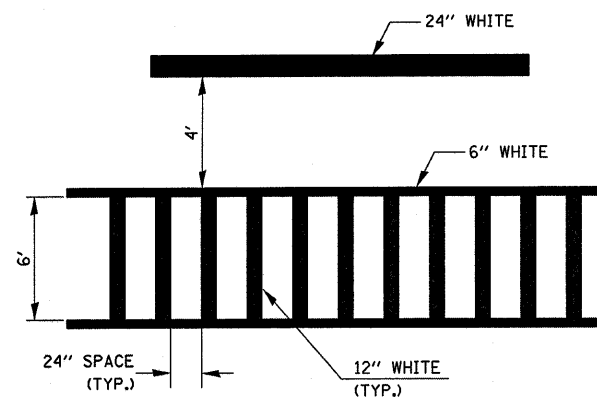
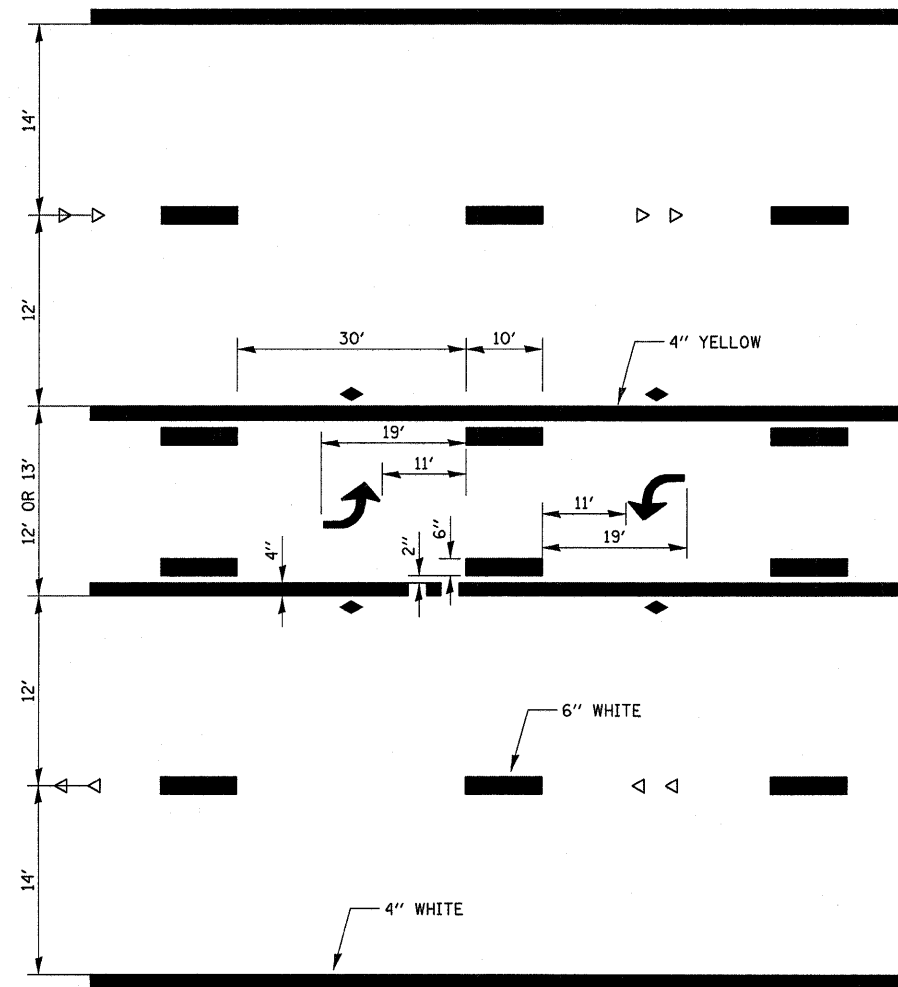


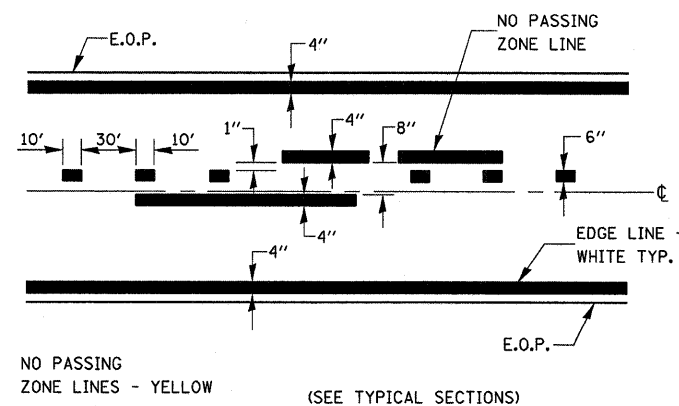
**TYPICAL SPACING DETAIL FOR CROSSWALKS AND STOP BARS**



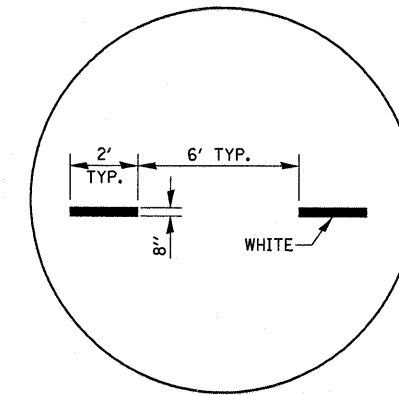
**TYPICAL SPACING DETAIL FOR CROSSWALKS AND STOP BARS**



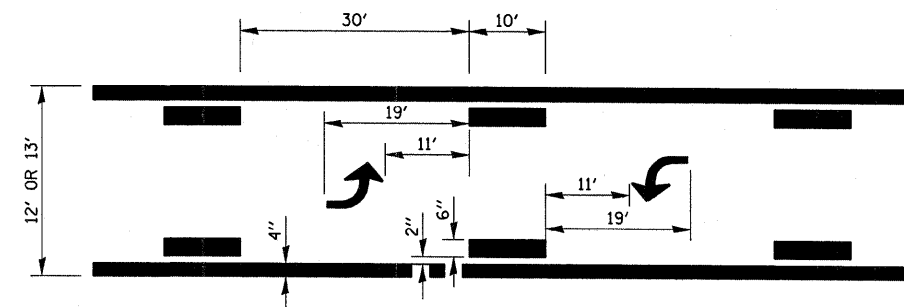
**TYPICAL APPLICATION @ TWO WAY LEFT TURN LANE (TWLTL)**



**PAVEMENT MARKING**



**ADVANCE AND INTERSECTION LANE DIVIDER LINES**



**TYPICAL APPLICATION @ BI-DIRECTIONAL TURN LANE**

# URBAN PAVEMENT MARKING

FILE NAME =	USER NAME = monallyr	DESIGNED -	REVISED -	<b>STATE OF ILLINOIS DEPARTMENT OF TRANSPORTATION</b>	<b>DETAILS</b>			F.A.P. RTE.	SECTION	COUNTY	TOTAL SHEETS	SHEET NO.			
ct:\pwork\pwork\monallyr\d8173840\d368a06-sht-DETAILS.dgn		DRAWN -	REVISED -		SCALE:	SHEET NO.	OF	SHEETS	STA.	TO STA.	68	(3RIRS-2)	LASALLE	22	15
		PLOT SCALE = 51.3957' / IN.	CHECKED -		REVISED -										
		PLOT DATE = Mar 15, 2011 - 10:58:44 AM	DATE -		REVISED -										
											CONTRACT NO. 66A06			ILLINOIS FED. AID PROJECT	