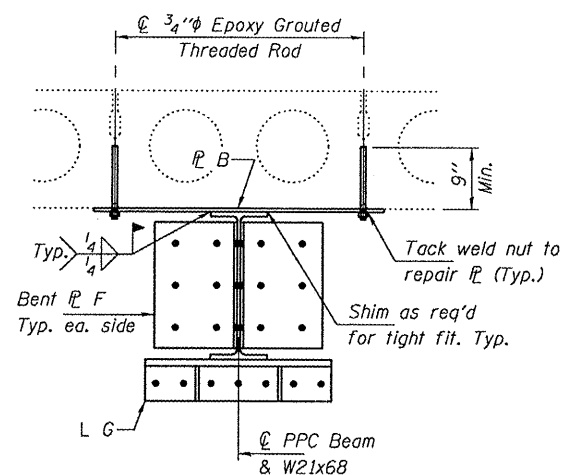
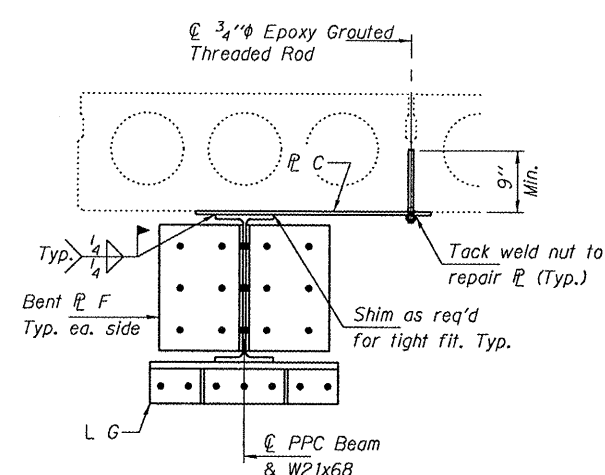


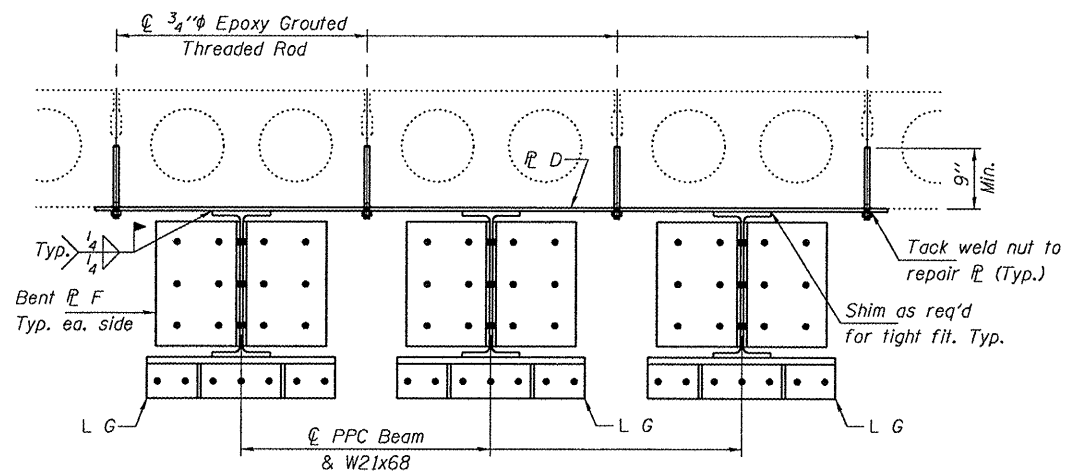
SECTION A-A



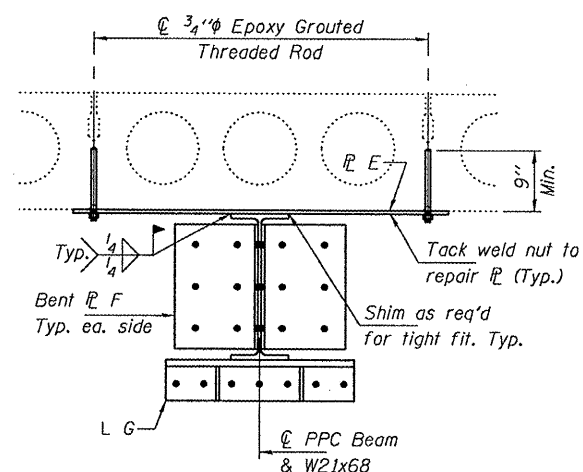
SECTION B-B



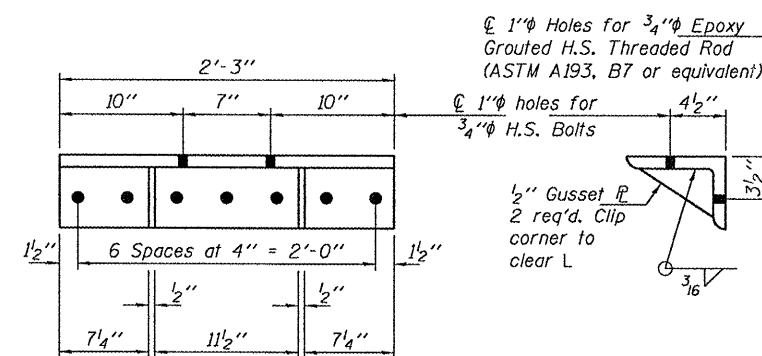
SECTION C-C



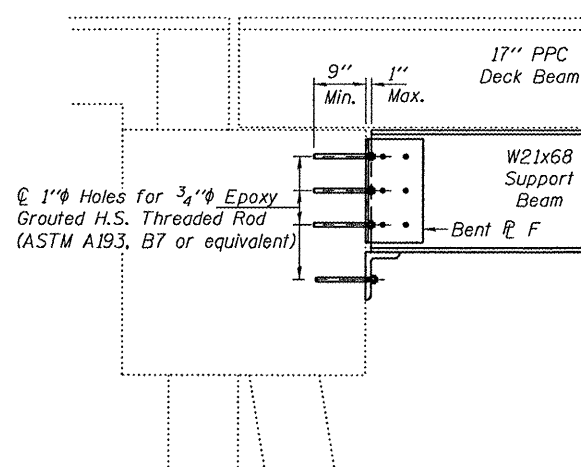
SECTION D-D



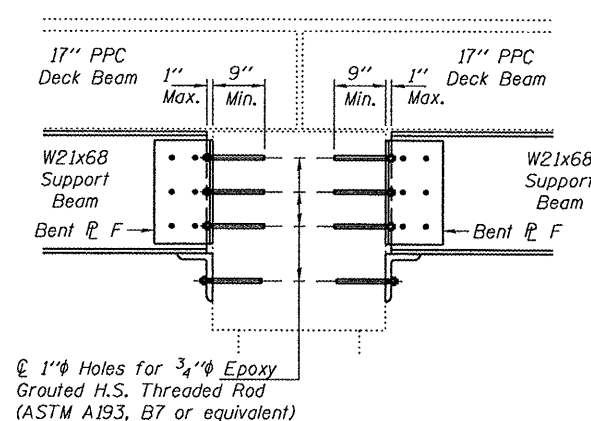
SECTION E-E



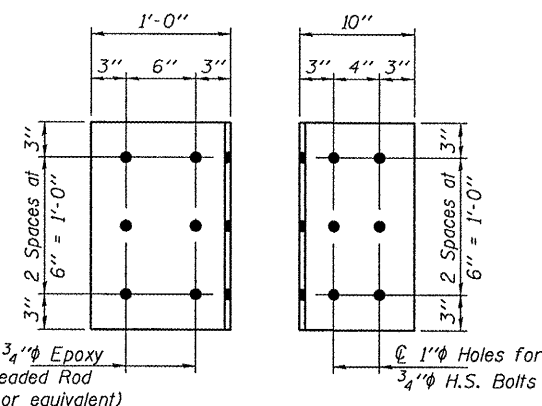
ANGLE G
L8x6x1 x 2'-3"
(24 Required)



TYPICAL SECTION THRU ABUTMENTS



TYPICAL SECTION THRU PIERS



BENT F
F 1/2" x 1'-6" x 1'-10"
(48 Required)

DESIGNED ATH
CHECKED GGE
DRAWN balva
CHECKED ATH GGE

EXAMINED *James F. [Signature]* DATE APRIL 6, 2011
PASSED ACTING ENGINEER OF STRUCTURAL SERVICES
ACTING ENGINEER OF BRIDGES AND STRUCTURES

STATE OF ILLINOIS
DEPARTMENT OF TRANSPORTATION

P.P.C. DECK BEAM SUPPORT DETAILS
SN 046-0109

F.A.S. RTE.	SECTION	COUNTY	TOTAL SHEETS	SHEET NO.
1323	102BRH	KANKAKEE	7	7
CONTRACT NO. 66B34			ILLINOIS FED. AID PROJECT	

SHEET NO. 2 OF 2 SHEETS