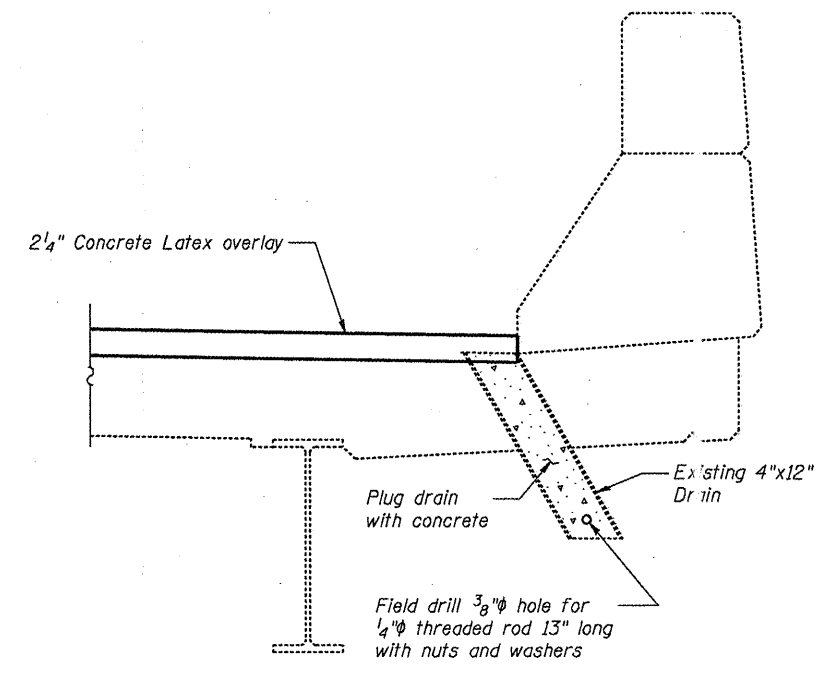
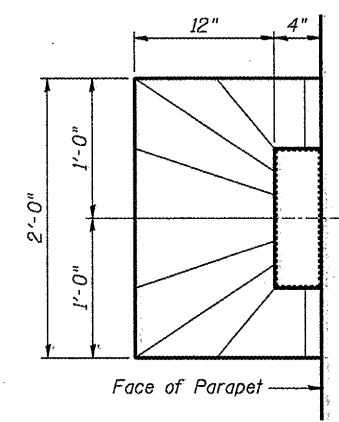


APPROACH DRAIN DETAIL



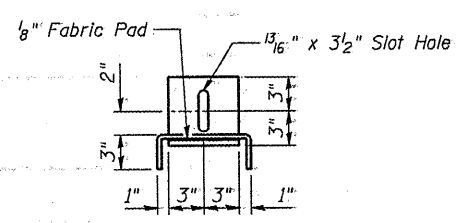
APPROACH DRAIN ELIMINATION DETAIL

Threaded rod, nuts, washers, and concrete shall be paid for as PLUG EXISTING DECK DRAINS.

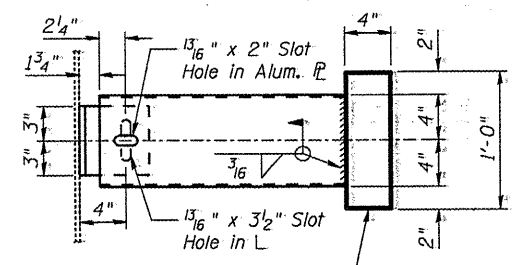


TOP PLAN

Overlay sloping



SECTION B-B



SECTION A-A

3/16" Aluminum Sheets Welded
ASTM: B209 alloy 6061-T6
or Aluminum Extrusions
ASTM: B221 alloy 6061-T6

FILE NAME =	USER NAME =	DESIGNED - BTO	REVISED -
		CHECKED - JAN	REVISED -
PLOT SCALE =		DRAWN - BTO	REVISED -
PLOT DATE =		CHECKED - JAN	REVISED -

**STATE OF ILLINOIS
DEPARTMENT OF TRANSPORTATION**

**APPROACH DECK DRAIN REPAIR DETAILS
STRUCTURE NO. 090-0108 & 090-0109**

SHEET NO. 27 OF 65 SHEETS

F.A.I. RTE.	SECTION	COUNT	TOTAL SHEETS	SHEET NO.
474		PEORIA & T. ZEWELL	129	61
			CONTRACT NO. 68069	
ILLINOIS FED. AID PROJ. CT				