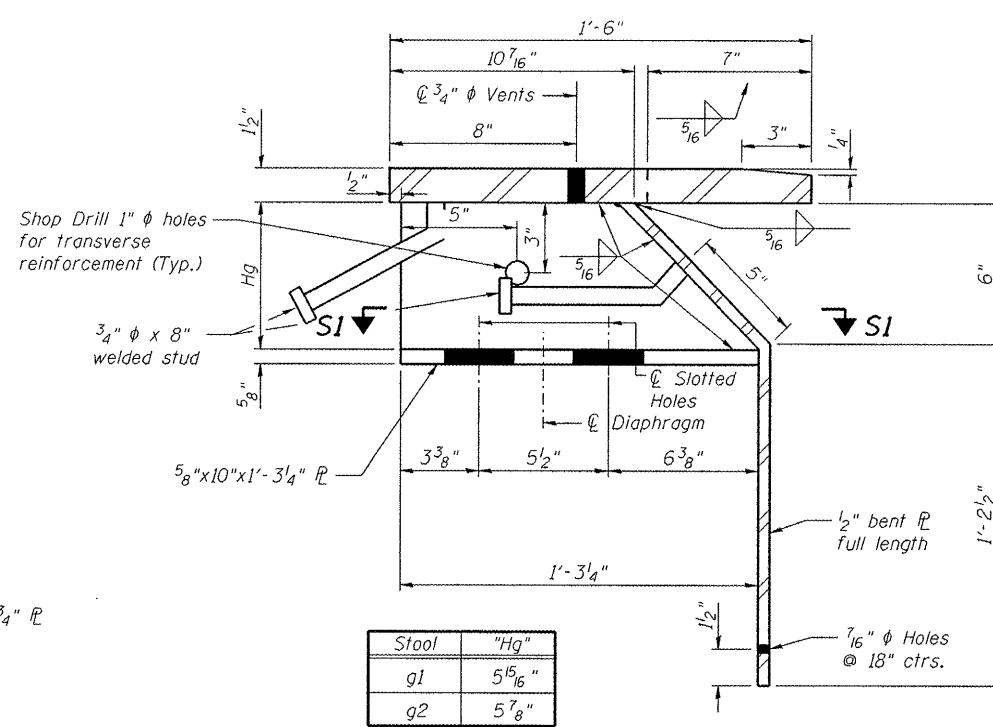


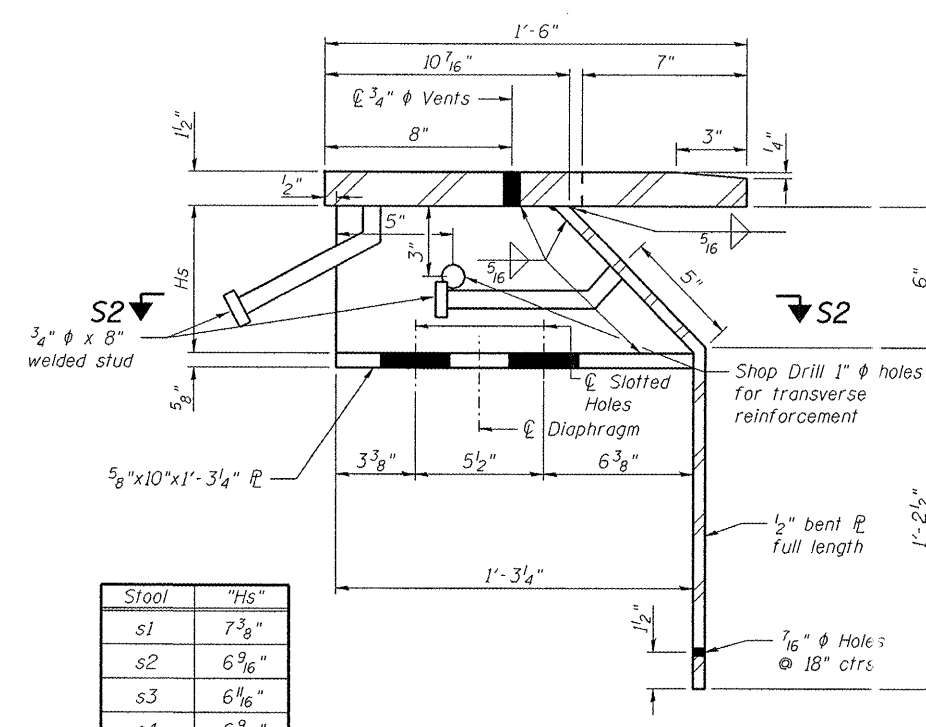
BACKWALL STOOL DETAIL



STOOL "g" DETAIL

(Located on Girders)

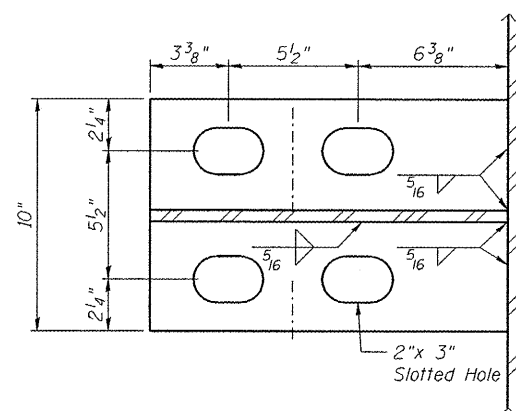
Stool	"Hq"
g1	5 ⁵ / ₁₆ "
g2	5 ⁷ / ₈ "



STOOL "s" DETAIL

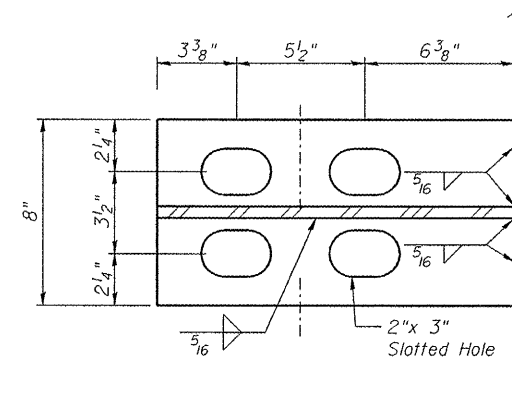
(Located on Stringers)

Stool	"Hs"
s1	7 ³ / ₈ "
s2	6 ⁹ / ₁₆ "
s3	6 ¹¹ / ₁₆ "
s4	6 ⁹ / ₁₆ "
s5	5 ³ / ₄ "

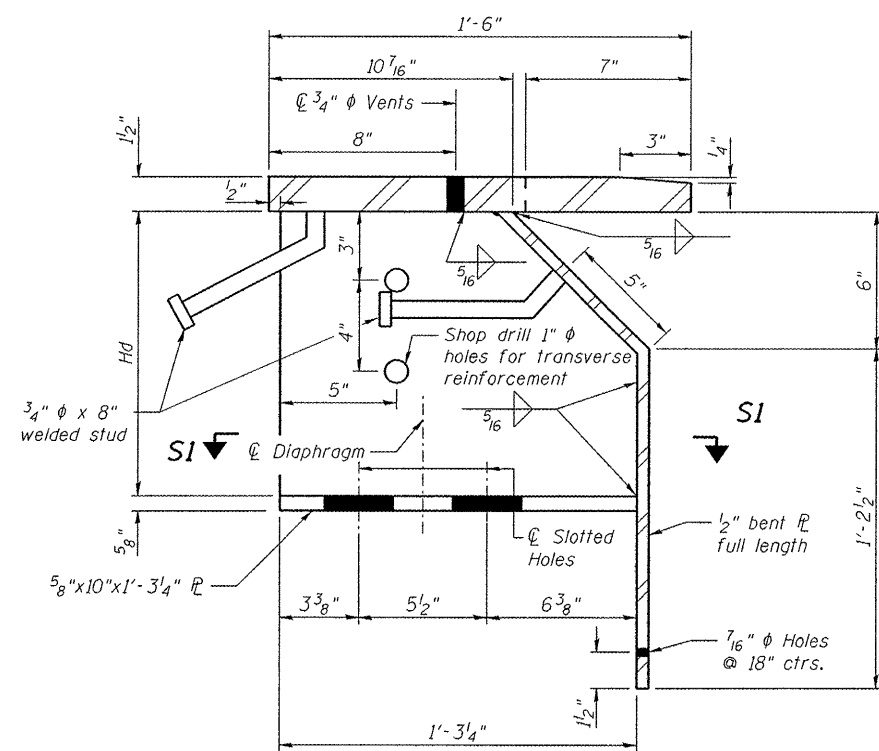


SECTION S1-S1

Stool	"Hd"
d1	11"
d2	11 ³ / ₈ "
d3	12 ¹ / ₈ "
d4	12 ¹ / ₂ "
d5	13 ¹ / ₄ "
d6	13 ¹ / ₂ "
d7	12 ³ / ₄ "
d8	12 ³ / ₈ "
d9	11 ⁵ / ₈ "
d10	11 ¹ / ₄ "
d11	10 ¹ / ₂ "
d12	10 ⁹ / ₈ "

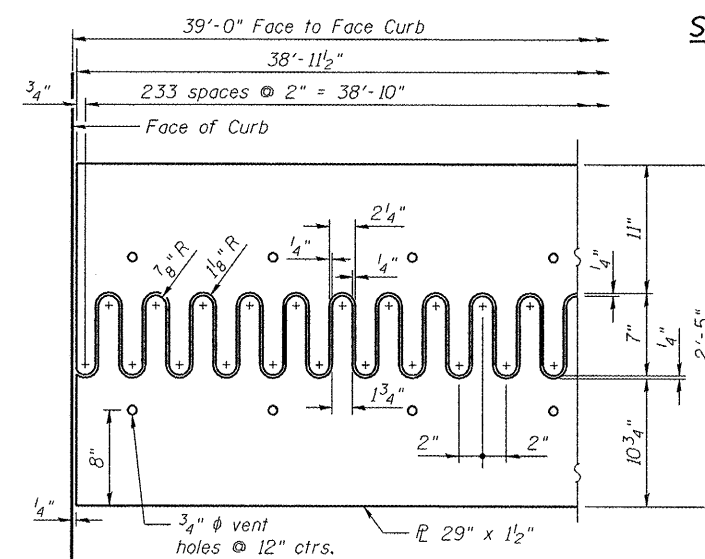


SECTION S2-S2



STOOL "d" DETAIL

(Located on Diaphragm)



FLAME CUT PLATE DETAIL

Note:
Finger Plates, bent plates, side plates,
shim plates, & stools shall be A7 SHTO
M270 Grade 50.