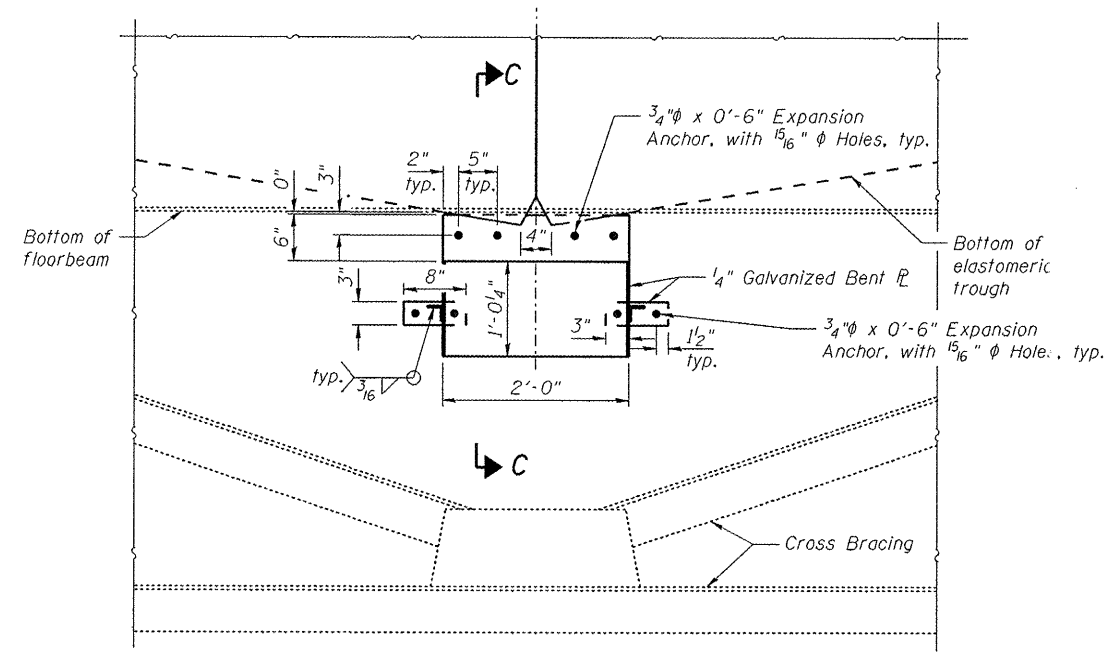
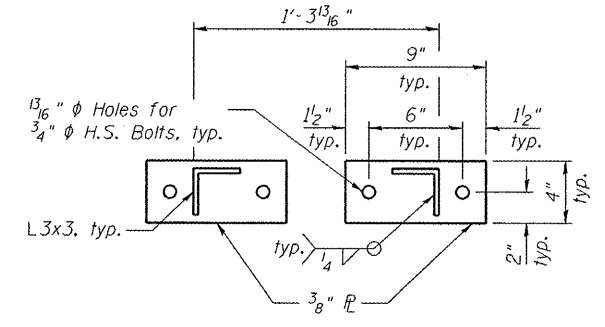


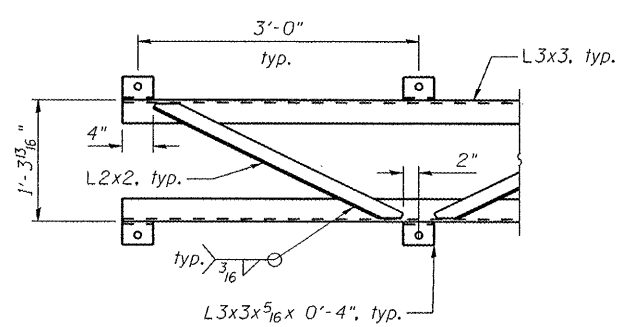
SECTION THRU TROUGH DRAIN AT PIER



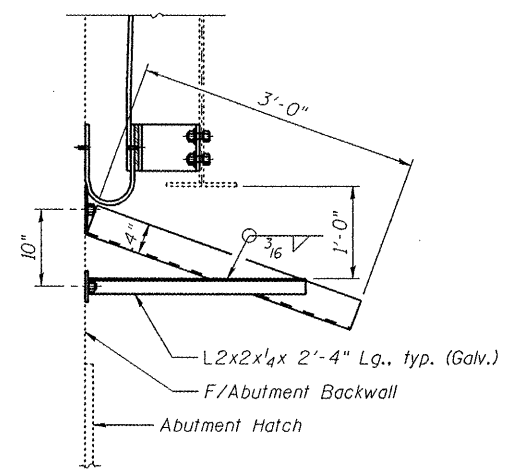
ELEVATION AT ABUTMENT TROUGH DRAIN



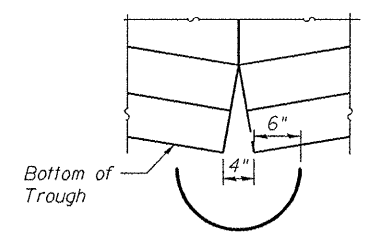
SECTION D-D



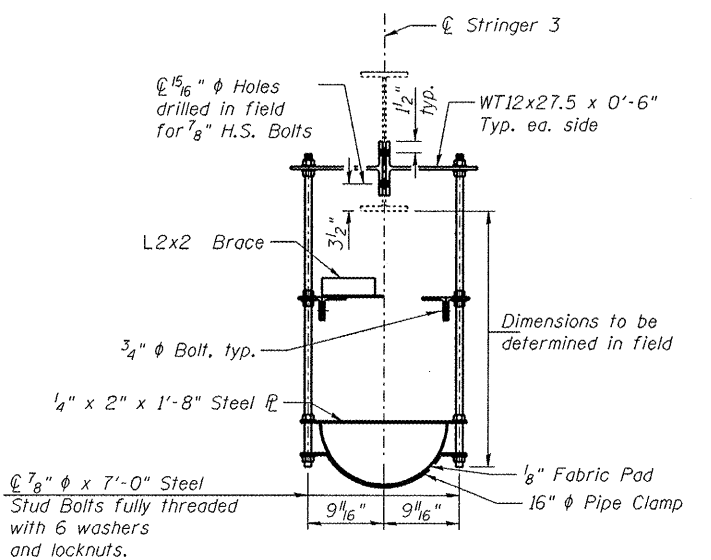
SECTION E-E



SECTION C-C



SECTION A-A



SECTION B-B

Note:
Cost of material and installation for drainage details shall be included with FABRIC REINFORCED ELASTOMERIC TROUGH.

FILE NAME :	USER NAME :	DESIGNED - BTO	REVISED -	STATE OF ILLINOIS DEPARTMENT OF TRANSPORTATION	FINGER PLATE TROUGH DRAINAGE DETAILS STRUCTURE NO. 090-0108 & 090-0109	F.A.I. RTE.	SECTION	COUNT	TOTAL SHEETS	SHEET NO.	
		CHECKED - JAN	REVISED -			474		PEORIA & TA EWELL	129	174	
		DRAWN - BTO	REVISED -			CONTRACT NO. 68069					
		CHECKED - JAN	REVISED -			ILLINOIS FED. AID PROJ. CT					