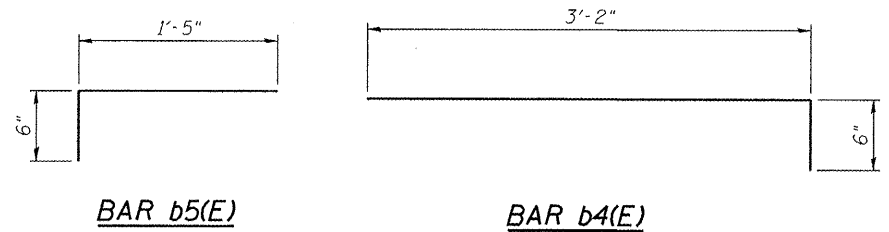


REMOVAL SECTION

Cost of removal and disposal of existing Finger Plate Expansion Joint is included in the cost of CONCRETE REMOVAL.

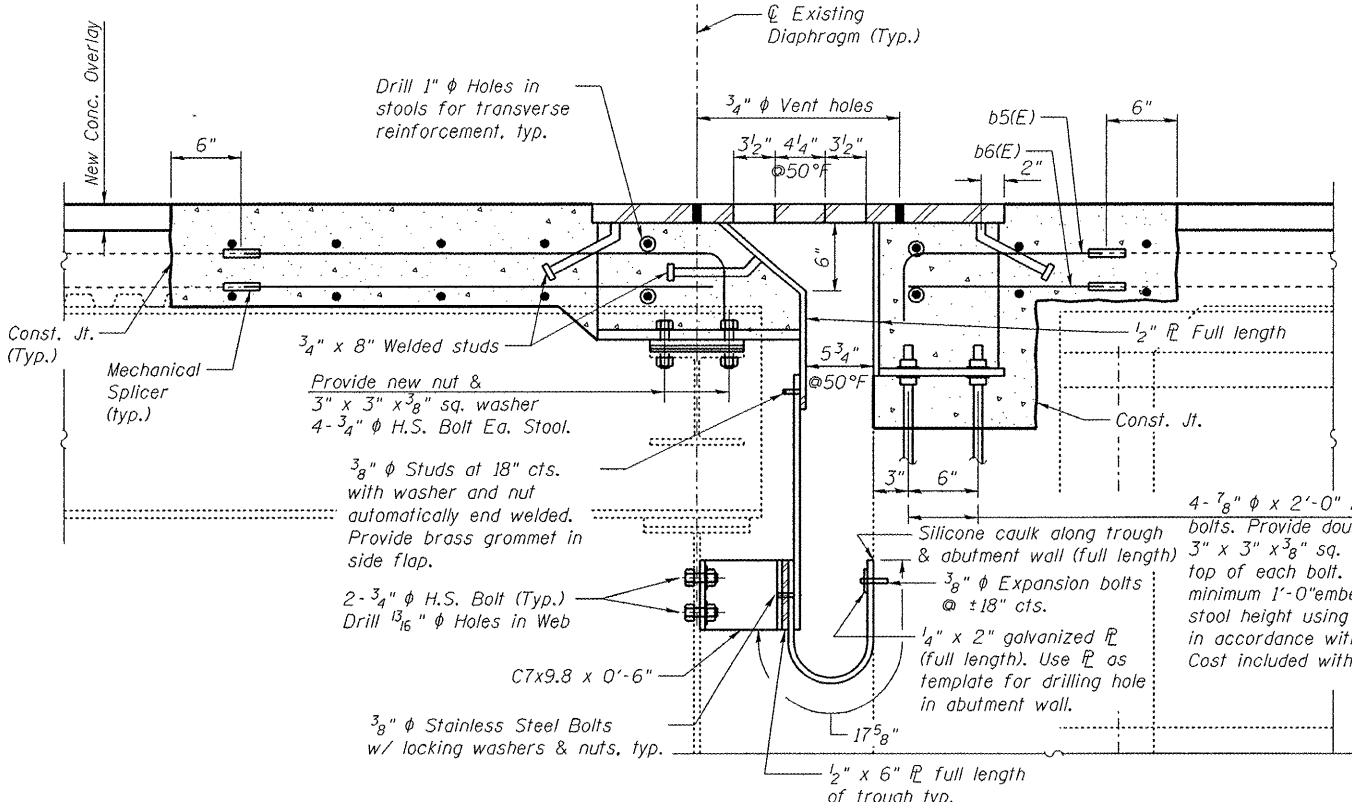


BILL OF MATERIAL

Bar	No.	Size	Length	Shape
a(E)	16	#6	41'-0"	—
a1(E)	16	#6	4'-0"	—
b3(E)	39	#5	3'-8"	—
b4(E)	64	#5	3'-2"	—
b5(E)	41	#5	1'-11"	—
b6(E)	69	#5	1'-5"	—
d3(E)	16	#5	2'-1"	—
d4(E)	16	#5	5'-2"	—
d5(E)	16	#5	3'-7"	—
e3(E)	8	#4	3'-11"	—
e4(E)	4	#8	3'-11"	—
e5(E)	4	#5	3'-11"	—
Concrete Removal			Cu. Yd.	1.4
Concrete Superstructure			Cu. Yd.	11.7
Reinforcement Bars, Epoxy Coated			Pound	1,390
Mechanical Splicers			Each	209
Finger Plate Expansion Joint, 3"			Foot	33.0
Fabric Reinforced Elastomeric Trough			Foot	33.5

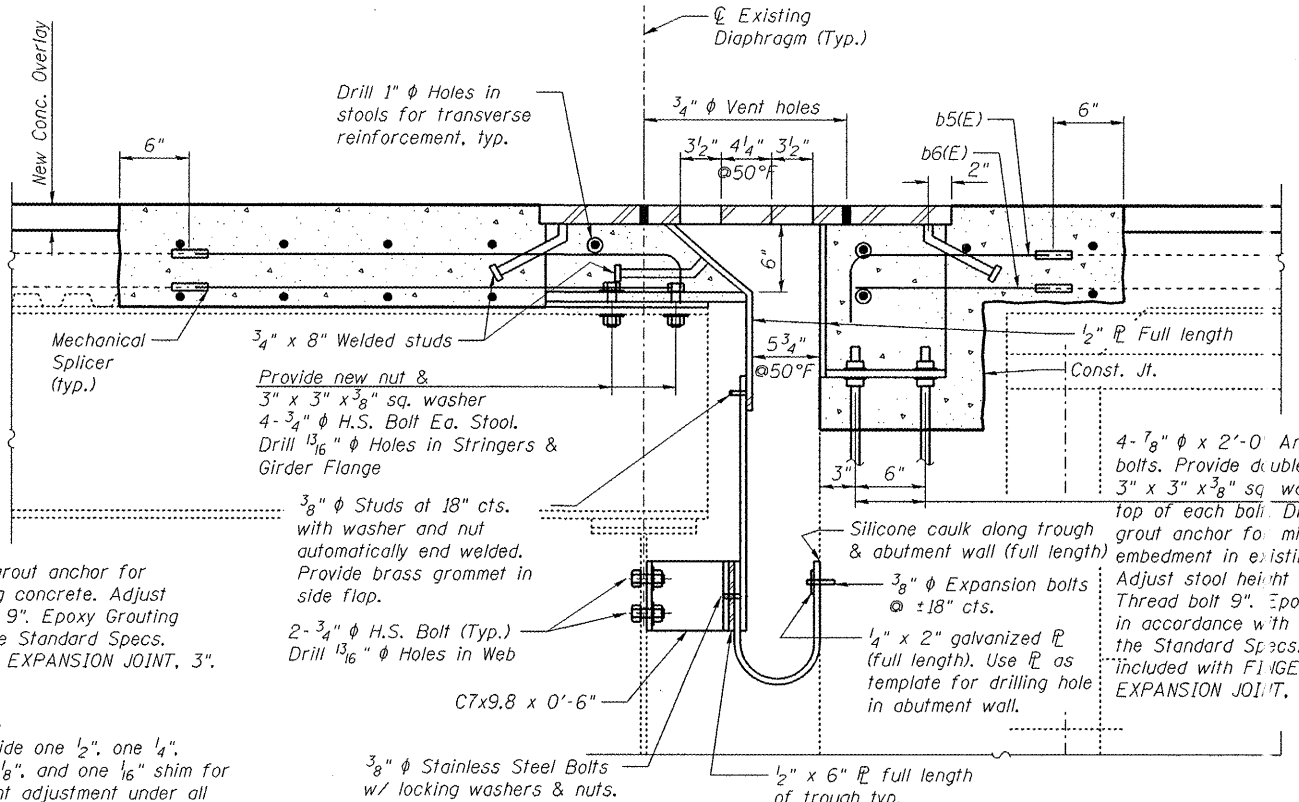
Notes:
See Sht. 39 of 65 for parapet cross section and parapet bar details.

Existing Reinforcement Bars to remain in removal area shall be cleaned and incorporated into new construction. Cost included with CONCRETE REMOVAL.



SECTION F-F

Note:
Provide one 1/2", one 1/4", one 5/8", and one 1/16" shim for height adjustment under all stools, typ.



SECTION E-E