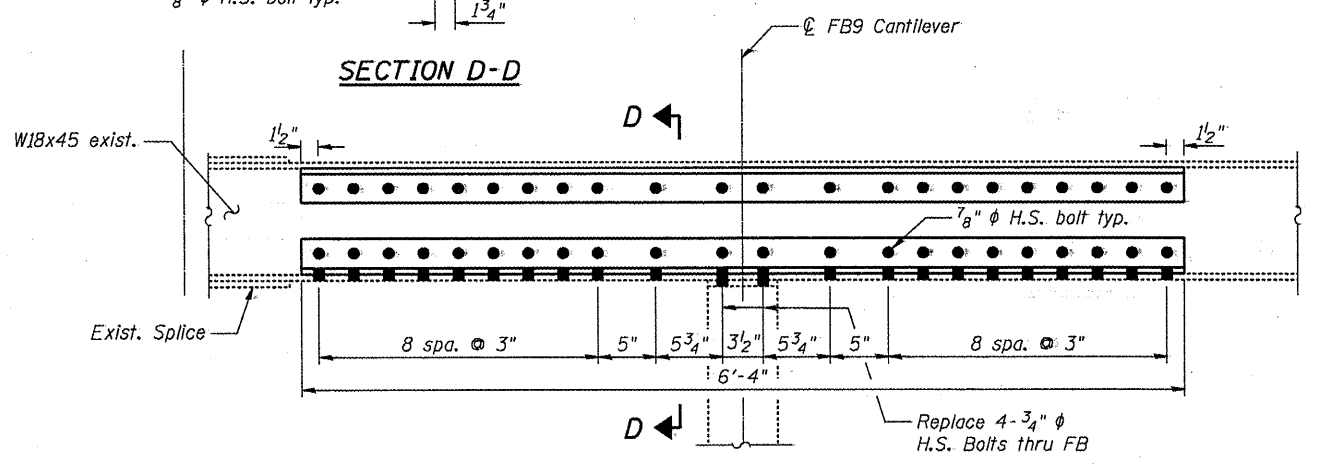
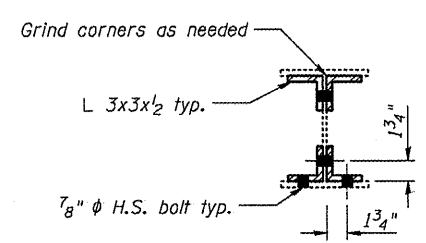
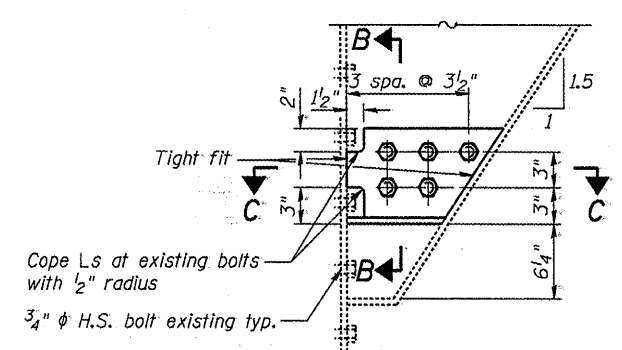


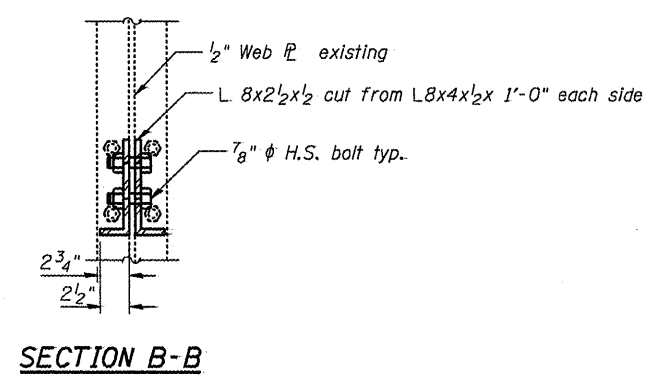
DETAIL 13
 FB. 11 Span 16, S.N. 090-0108
 FB. 1 Span 12, S.N. 090-0108



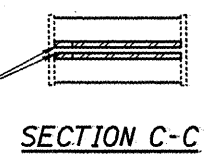
DETAIL 17
 Str. 5 between FB9
 Span 13
 (S.N. 090-0109)



DETAIL 14
 FB. 1 Stringer 5, Span 14-15
 S.N. 090-0108



SECTION B-B



SECTION C-C

FILE NAME =	USER NAME =	DESIGNED - JAN	REVISED -
		CHECKED - RAB	REVISED -
		DRAWN - RAB	REVISED -
		CHECKED - JAN	REVISED -

**STATE OF ILLINOIS
 DEPARTMENT OF TRANSPORTATION**

STRUCTURAL STEEL REPAIR DETAILS, SHEET 6
STRUCTURE NO: 090-0108 & 090-0109
 SHEET NO. 57 OF 65 SHEETS

F.A.I. RTE.	SECTION	COUNT	TOTAL SHEETS	SHEET NO.
474			129	91
			CONTRACT NO. 68069	
ILLINOIS FED. AID PROJ. CT				