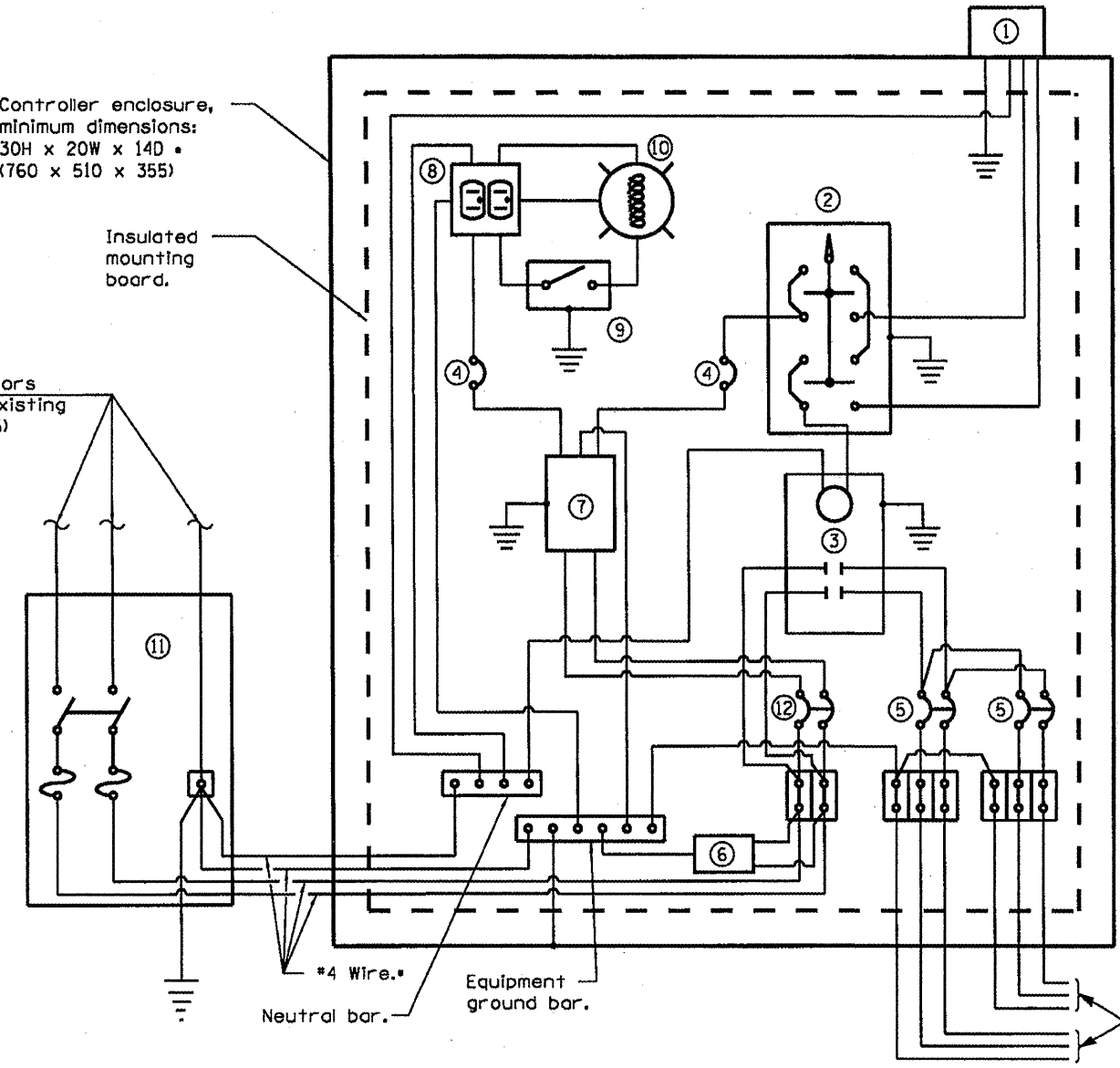


- Size larger as needed.
- Or as directed by Utility Company.
- When cold sequencing is required, provide a meter disconnect switch as directed by Utility Company.

Controller enclosure, minimum dimensions: 30H x 20W x 14D • (760 x 510 x 355)

Service conductors (from existing pole #66)



- ① Photocell with integral surge arrester.
 - ② HAND-OFF-AUTO selector switch
 - ③ 60 amp*, electrically held contactor.
 - ④ 15 amp, 1-pole circuit breaker
 - ⑤ 20 amp*, 2-pole circuit breaker (spare breakers not required).
 - ⑥ Surge arrester.
 - ⑦ Transformer - 1KVA*, 480V primary, 120/240V secondary, single-phase, 60Hz.
 - ⑧ GFCI duplex receptacle.
 - ⑨ Single-pole, single-throw switch.
 - ⑩ Incandescent luminaire, enclosed and gasketed with 100 watt lamp
 - ⑪ Service disconnect switch - 2-pole, 3-wire, 60 amp*, fused at 60 amp*, solid neutral in NEMA 4X enclosure having lockable external handle. Handle shall be lockable in both on and off positions.
 - ⑫ 15 amp, 2-pole circuit breaker.
- * Size larger as needed.

ALL EQUIPMENT ON POLE SHALL BE INCLUDED IN THE COST OF LIGHTING CONTROLLER (SPECIAL)

GENERAL NOTES

- Provide 12x9x1 (305x225x25) watertight pouch mounted inside controller door with as-built plans and schematics.
- Provide engraved nameplate on front of enclosure reading "LIGHTING".
- Enclosure shall be mounted to pole with pole-bands and lag-bolts.
- Work pad not shown.
- All dimensions are in inches (millimeters) unless otherwise shown.

FILE NAME	USER NAME	DESIGNED	REVISED	STATE OF ILLINOIS DEPARTMENT OF TRANSPORTATION	LIGHTING CONTROLLER (SPECIAL) DETAIL	F.A.I. RTE.	SECTION	COUNT	TOTAL SHEETS	SHEET NO.
#FILE#		DRAWN	REVISED			474	(172,905B)1-2	PEORIA/TAZ WELLS	129	111
PLOT SCALE	SCALE	CHECKED	REVISED		SCALE: TEMP LIGHTING SHEET 5 OF 6 STA. TO STA.					CONTRACT NO. 68069
PLOT DATE	DATE	DATE	REVISED							ILLINOIS FED. AID PROJEC