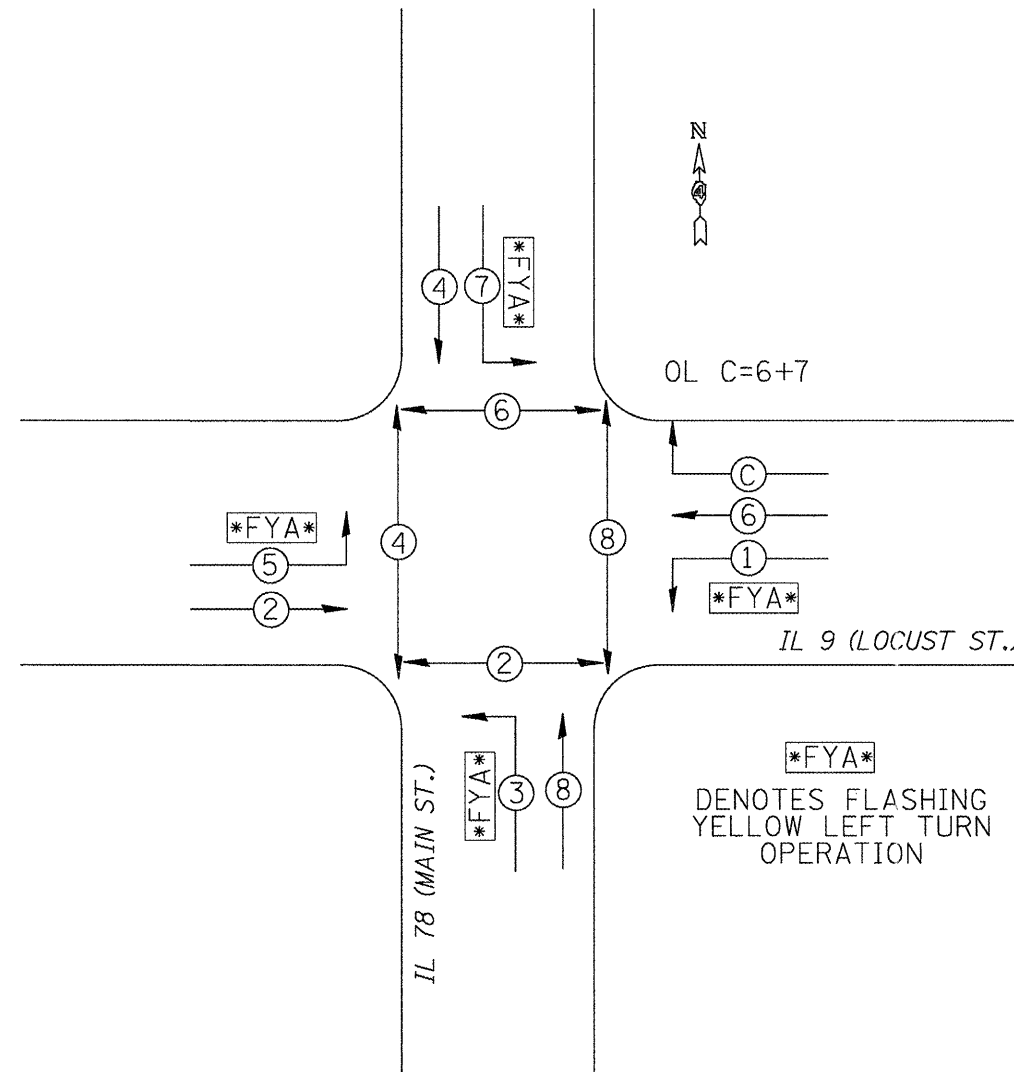
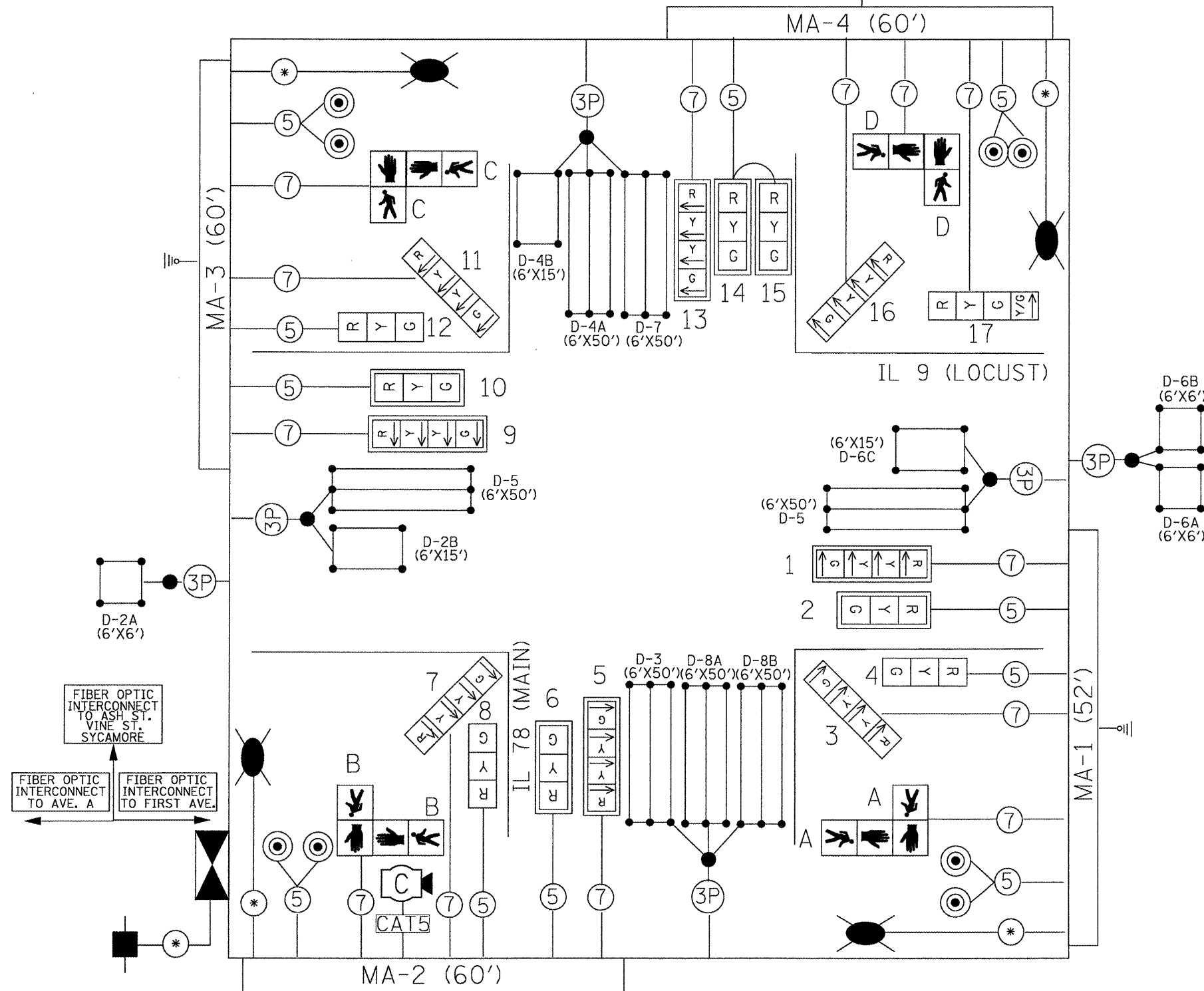


PROPOSED CABLE DIAGRAM

PROPOSED PHASE DIAGRAM

NAME OF INTERSECTION IL 9 (LOCUST) & IL 78 (MAIN)
 PROPOSED CONTROLLER: ECONOLITE ASC/3-2100, TS-2
 TYPE 2, TYPE V CABINET, TS-2 BACKPANEL (16 POSITION)



TRAFFIC SIGNALS LEGEND

- | | | | | | |
|--|--------------------------------------|--|------------------------------|--|-----------------------------------|
| | PROP. CONTROLLER (SIGNAL) | | *18 3-PR DETECTOR LOOP CABLE | | PROP. SERVICE INSTALLATION |
| | PROP. 3 SEC. SIGNAL HEAD W/BACKPLATE | | 5/C NO. 14 SIGNAL CABLE | | PROP. GROUND/SAFETY BOND |
| | PROP. 3 SEC. SIGNAL HEAD | | 7/C NO. 14 SIGNAL CABLE | | PROP. TYPE II SPLICE |
| | PROP. PEDESTRIAN HEAD | | *6 1/C X 3 (WITH GROUND) | | PROP. DETECTOR LOOP (6'X6') |
| | PROP. PEDESTRIAN PUSHBUTTON | | PROP. LUMINAIRE WITH PC | | PROP. DETECTOR LOOP (6'X50' QUAD) |

- | | |
|--|-------------------------------------|
| | VEHICULAR MOVEMENT |
| | PEDESTRIAN MOVEMENT |
| | * NUMBER REFERS TO ASSOCIATED PHASE |

FYA
 DENOTES FLASHING
 YELLOW LEFT TURN
 OPERATION

NOT TO SCALE
 TRAFFIC SIGNALS
 SHEET 12 OF 23