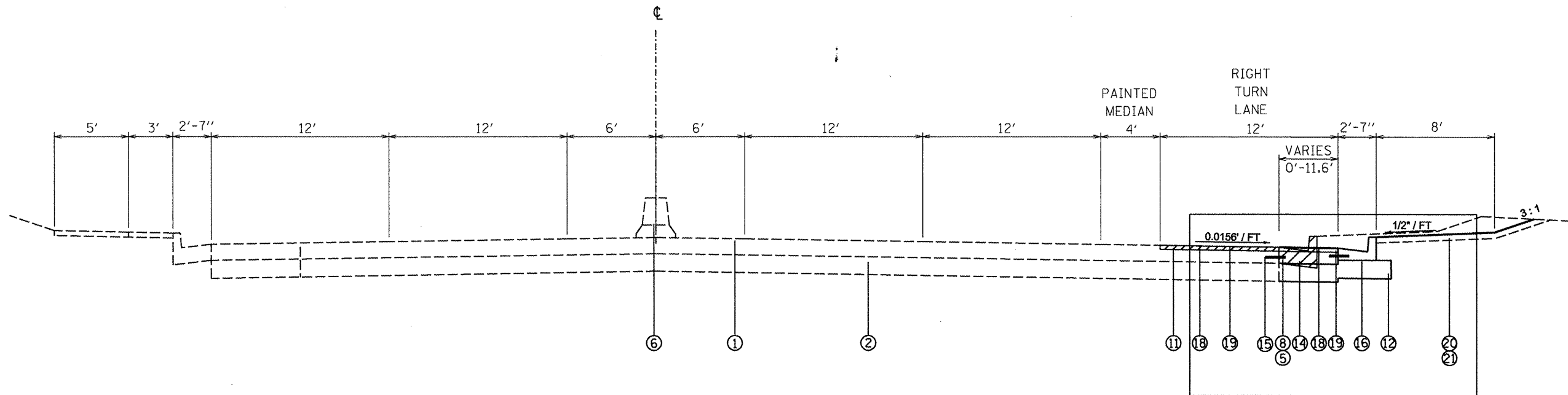


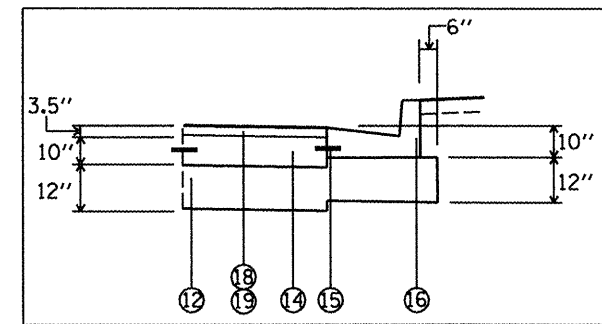
PROPOSED TYPICAL SECTION
RAMPS A & B
STA. 7+25 TO STA. 8+43

LEGEND

- ① EXISTING HMA SURFACE
- ② EXISTING PCC PAVEMENT
- ③ EXISTING HMA SHOULDER
- ④ EXISTING CONCRETE MEDIAN
- ⑤ EXISTING COMBINATION CONCRETE CURB AND GUTTER B6.24
- ⑥ EXISTING CONCRETE BARRIER
- ⑦ PROPOSED PAVEMENT REMOVAL
- ⑧ PROPOSED COMBINATION CONCRETE CURB AND GUTTER REMOVAL
- ⑨ PROPOSED CONCRETE MEDIAN REMOVAL
- ⑩ PROPOSED PAVED SHOULDER REMOVAL
- ⑪ PROPOSED HMA SURFACE REMOVAL 3 1/2"
- ⑫ PROPOSED SUB-BASE GRANULAR MATERIAL 12"
- ⑬ PROPOSED PCC PAVEMENT 9.5"
- ⑭ PROPOSED PCC BASE COURSE 10"
- ⑮ PROPOSED TIE BARS
- ⑯ PROPOSED COMBINATION CONCRETE CURB AND GUTTER B6.24
- ⑰ PROPOSED CONCRETE MEDIAN TYPE SM-4.24
- ⑱ PROPOSED POLYMERIZED BINDER COURSE, 2"
- ⑲ PROPOSED HMA SURFACE COURSE, 1 1/2"
- ⑳ PROPOSED TOPSOIL PLACEMENT 4"
- ㉑ PROPOSED SALT-TOLERANT SOD



PROPOSED TYPICAL SECTION
WAR MEMORIAL DRIVE
STA. 189+62 TO STA. 192+15



PAVEMENT WIDENING
DETAIL

FILE NAME =
D468992-ah-t-plnprf.dgn

USER NAME = longsr
PLOT SCALE = 40.0016' / IN.
PLOT DATE = 3/24/2011

DESIGNED -	---	REVISED -	-----
DRAWN -	---	REVISED -	-----
CHECKED -	---	REVISED -	-----
DATE -	-----	REVISED -	-----

STATE OF ILLINOIS
DEPARTMENT OF TRANSPORTATION

TYPICAL SECTIONS
NOT TO SCALE

SCALE: _____ SHEET NO. ____ OF ____ SHEETS STA. _____ TO STA. _____

F.A.P. RTE.	SECTION	COUNTY	TOTAL SHEETS	SHEET NO.
317	14B	PEORIA	42	6
CONTRACT NO. 68992			ILLINOIS FED. AID PROJECT	