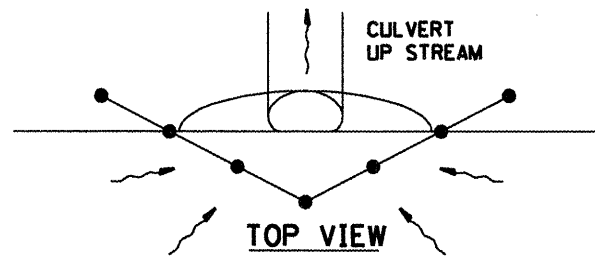
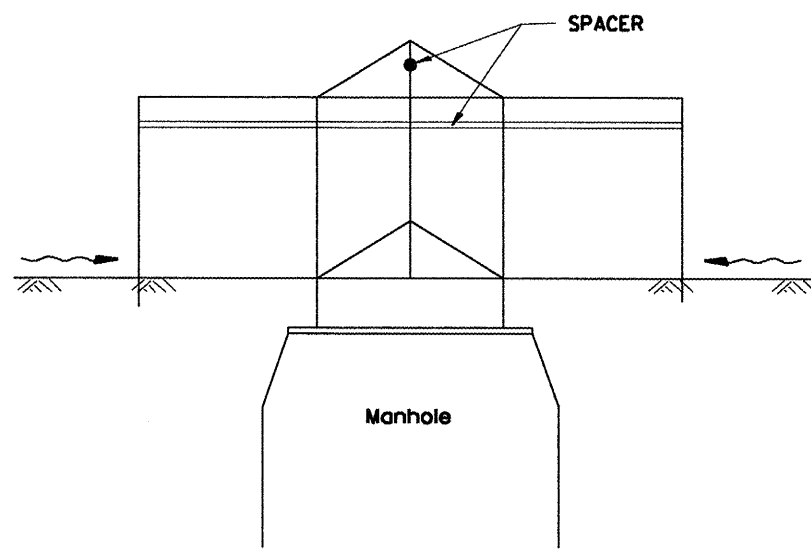


FRONT VIEW

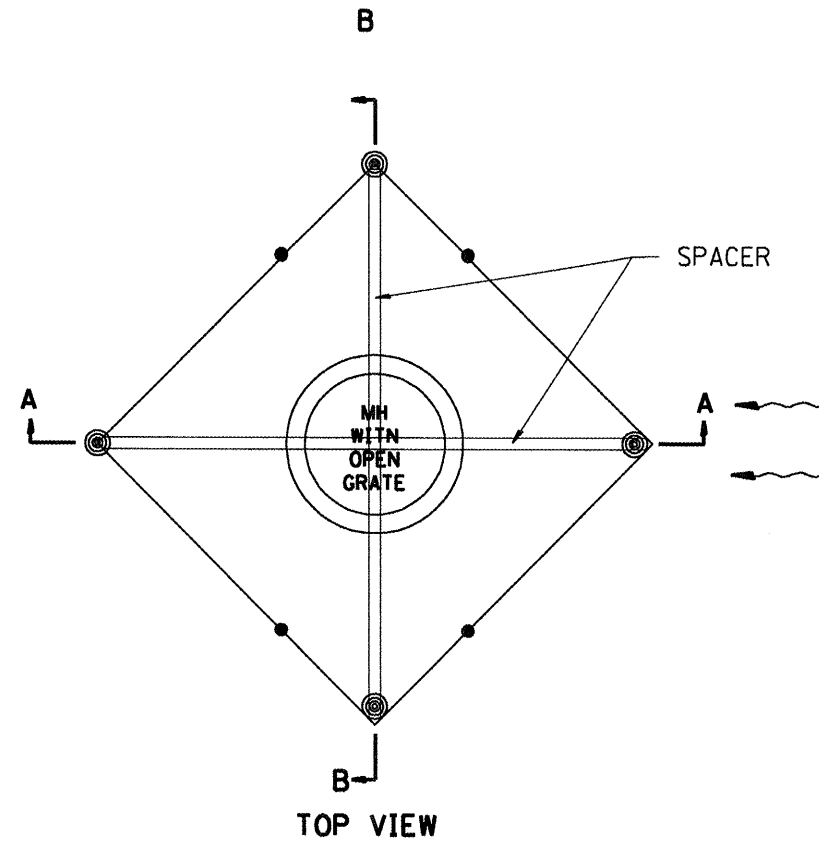


TOP VIEW

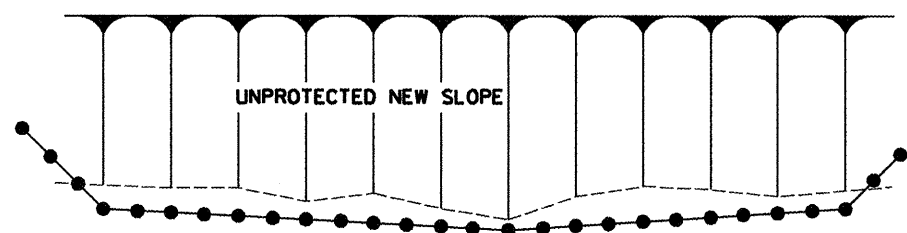
UPSTREAM PIPE CULVERT EROSION CONTROL



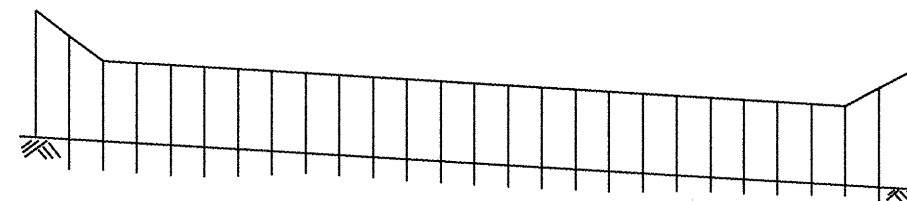
SIDE VIEW
A-A



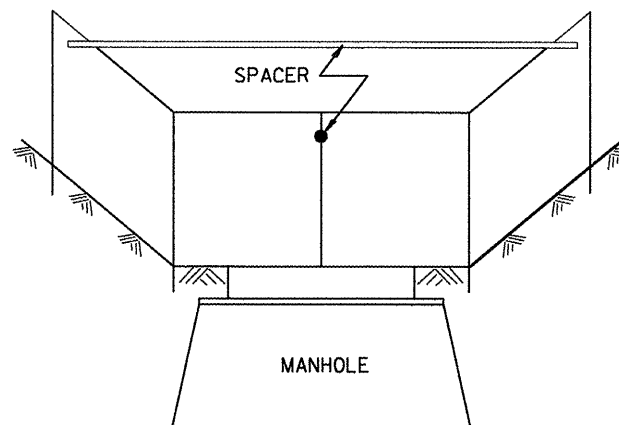
TOP VIEW



TOP VIEW



FRONT VIEW



Front View
B-B

EROSION CONTROL
AT
OPEN GRATE MAN HOLE

GENERAL NOTES:

1. This work shall be performed in accordance with Sections 280 & 1081, of the Standard Specifications.
2. Additional Timber or Metal Post shall be installed, as needed.

All dimensions are in inches (millimeters) unless otherwise noted.

1-1-97	T.P.
3-11-03	M.A.
ELIMINATED SILT FENCE DITCH CHECK	

STATE OF ILLINOIS
DEPARTMENT OF TRANSPORTATION

TYPICAL APPLICATION OF SILT FILTER FENCE

NOT TO SCALE

CADD STD. 280001-D4

F.A.P. RTE.	SECTION	COUNTY	TOTAL SHEETS	SHEET NO.
318	4W-2, RS-3	PEORIA	37	17
CONTRACT NO. 68993				
FED. ROAD DIST. NO.		ILLINOIS FED. AID PROJECT		