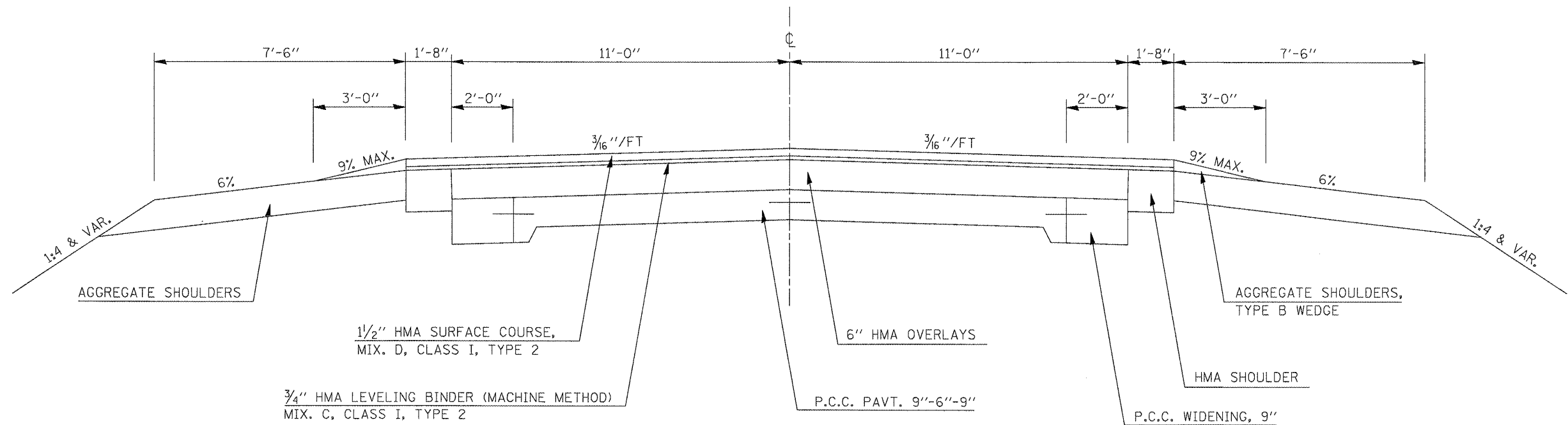


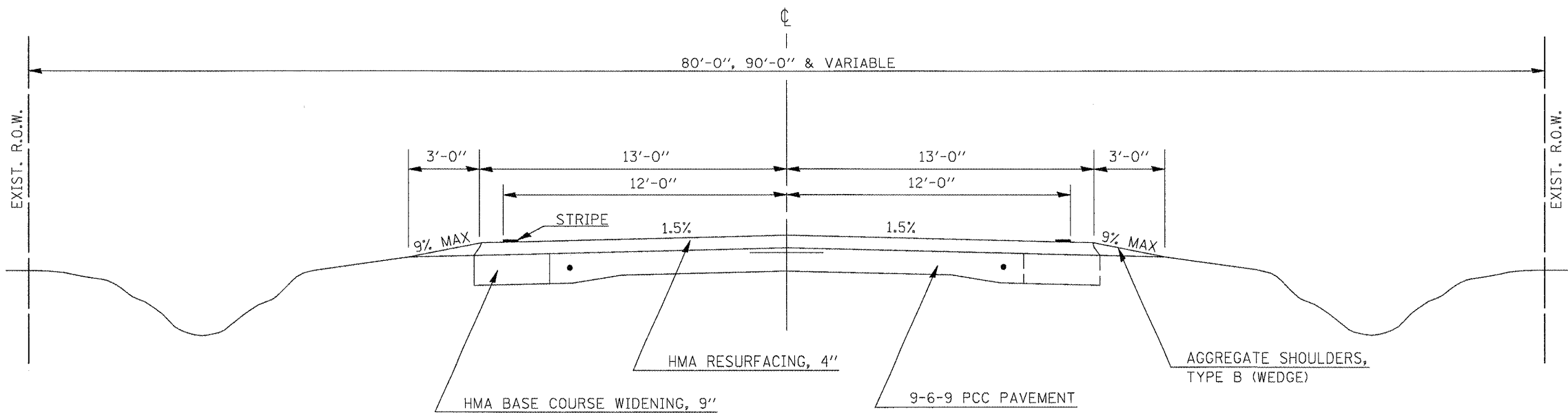
### EXISTING TYPICAL SECTION

LOCATION #1 (S. N. 020-8033)  
 STA. 122+55.50 TO STA. 122+64.50



### EXISTING TYPICAL SECTION

LOCATION #2 (S. N. 020-8034)  
 STA. 1163+18.50 TO STA. 1163+29.50



• ROUTES VARIOUS  
 •• POSTING MITIGATION FY2011-1  
 ••• DEWITT / MCLEAN

FILE NAME =	USER NAME = keyarb	DESIGNED -	REVISED -
ca:\pvc\work\pvc\dot\kayarb\0248870\05708	4-ah-typical.dgn	DRAWN -	REVISED -
	PLOT SCALE = 40.0000' / IN.	CHECKED -	REVISED -
	PLOT DATE = 2/3/2011	DATE -	REVISED -

**STATE OF ILLINOIS  
 DEPARTMENT OF TRANSPORTATION**

<b>TYPICAL SECTIONS</b>			
SCALE:	SHEET NO.	OF SHEETS	STA. TO STA.

F.A. RTE.	SECTION	COUNTY	TOTAL SHEETS	SHEET NO.
•	••	•••	23	5
CONTRACT NO. 70894				
ILLINOIS FED. AID PROJECT				