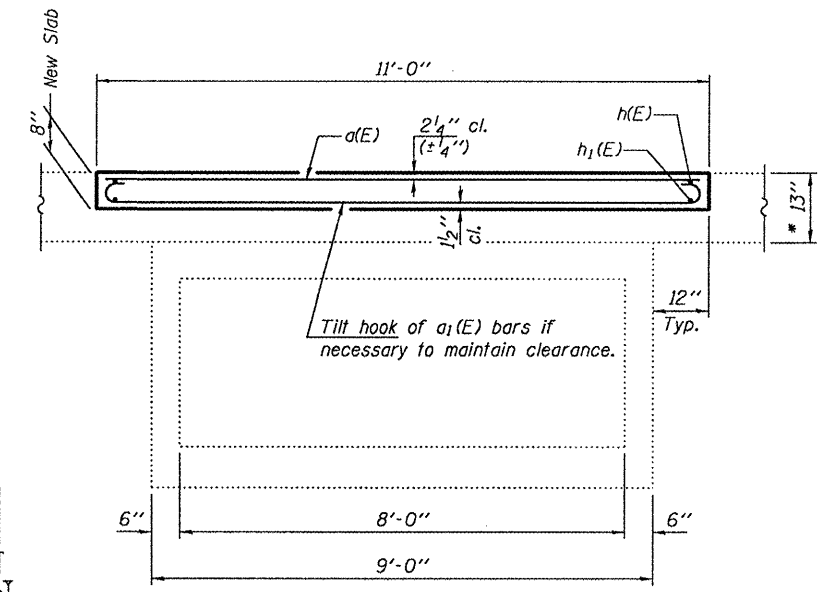
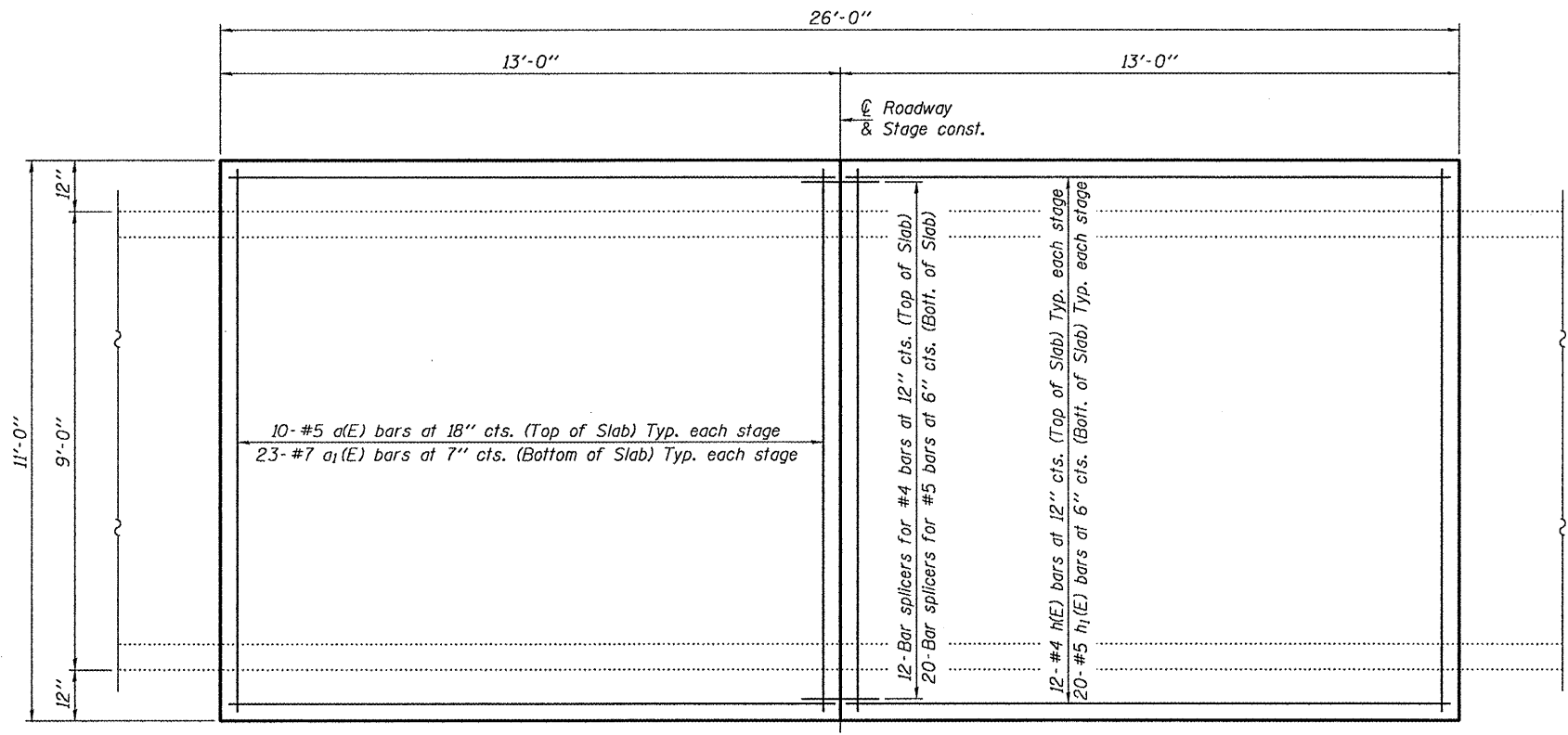


LONGITUDINAL SECTION



SECTION A-A

* Remove 4" of existing HMA overlay and 4" of existing PCC pavement and replace with 8" concrete slab as shown. Slope to match roadway. Cost of removal included with Partial Depth Removal (Variable Depth).



PLAN

GENERAL NOTES

Plan dimensions and details relative to existing plans are subject to nominal construction variations. The Contractor shall field verify existing dimensions and details affecting new construction and make necessary approved adjustments prior to construction or ordering of materials. Such variations shall not be cause for additional compensation for a change in scope of the work, however, the Contractor will be paid for the quantity actually furnished at the unit price bid for the work.

Reinforcement bars shall conform to the requirements of ASTM A 706 Gr 60. See Special Provisions.

Reinforcement bars designated (E) shall be epoxy coated.

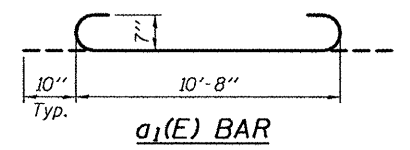
The slab surface shall have its final finish tined according to Article 420.09(e)(1) of the Standard Specifications. Cost included with Concrete Superstructure.

BILL OF MATERIAL

Bar	No.	Size	Length	Shape
a(E)	20	#5	10'-8"	—
a1(E)	46	#7	12'-4"	⌋
h(E)	24	#4	12'-8"	—
h1(E)	40	#5	12'-8"	—
Bar Splicers			Each	32
Partial Depth Removal (Variable Depth)			Sq. Yds.	31.8
Reinforcement Bars, Epoxy Coated			Pound	2080
Concrete Superstructure			Cu. Yds.	7.1

DESIGN STRESSES

FIELD UNITS
 $f'_c = 3,500$ psi
 $f_y = 60,000$ psi (Reinf.)



EXPIRES 11-30-2012

DESIGNED: <i>[Signature]</i>	EXAMINED: <i>[Signature]</i>	DATE: MARCH 14, 2011
CHECKED: <i>[Signature]</i>	PASSED: <i>[Signature]</i>	
DRAWN: <i>[Signature]</i>		
CHECKED: <i>[Signature]</i>		

STATE OF ILLINOIS
 DEPARTMENT OF TRANSPORTATION

SLAB DETAILS
 LOCATION 2
 SN 020-8034
 SHEET NO. 1 OF 2 SHEETS

F.A.P. RTE.	SECTION	COUNTY	TOTAL SHEETS	SHEET NO.
760	POSTING MITIGATION FY2011-1	DEWITT	23	12
CONTRACT NO. 70894			ILLINOIS FED. AID PROJECT	