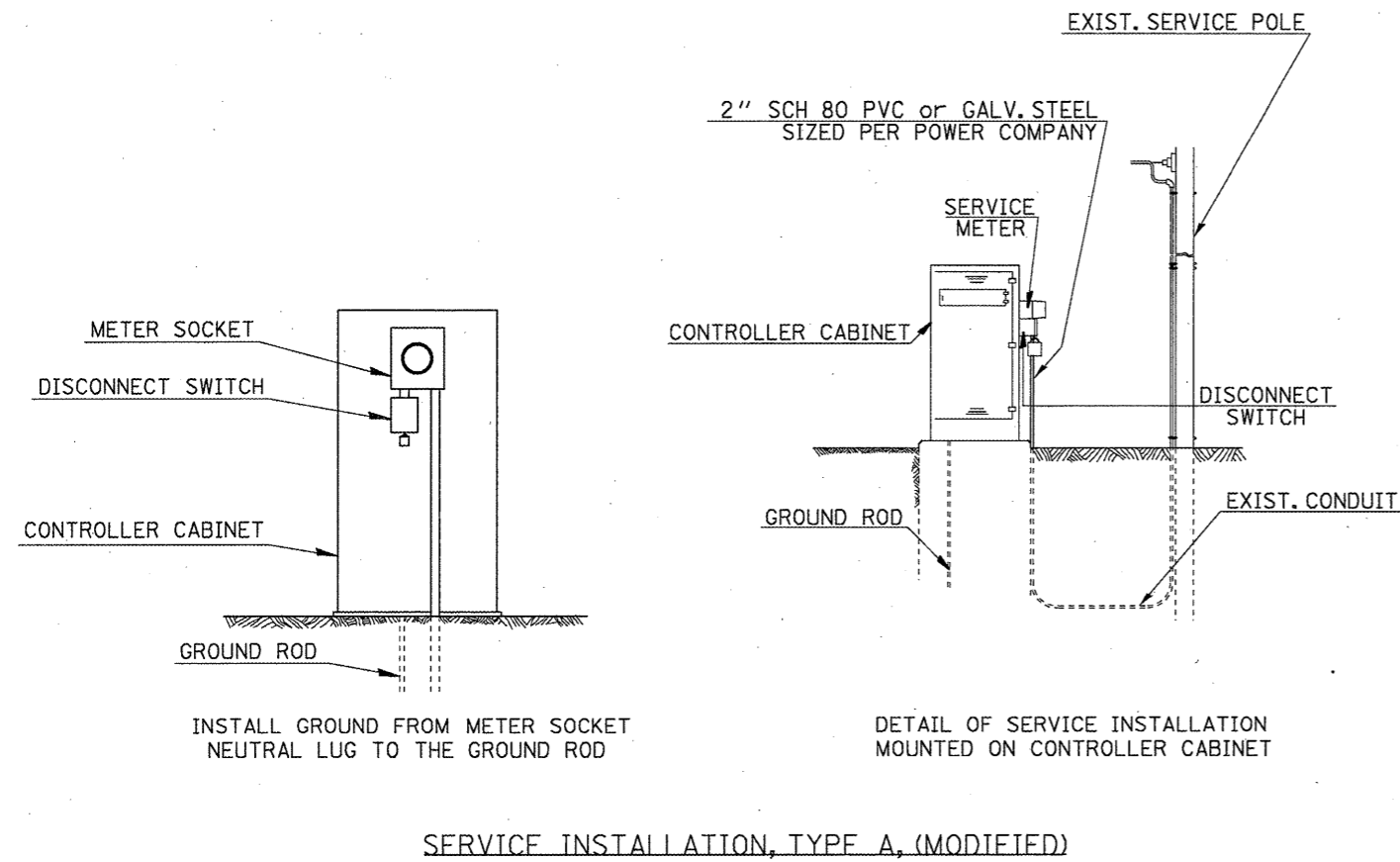


**BILL OF MATERIALS**  
**UNIVERSITY AVE – WRIGHT ST TO CUNNINGHAM AVE**  
**CUNNINGHAM AVE – UNIVERSITY AVE TO KERR AVE**



ITEM	UNIT	QUANTITY
CONDUIT PUSHED, 2" DIA., PVC	FOOT	7235
HANDHOLE	EACH	14
GULFBOX JUNCTION REMOVAL	EACH	2
ELECTRIC CABLE IN CONDUIT, 600V (XLP-TYPE USE) 1/C NO. 12	FOOT	8124
FULL-ACTUATED CONTROLLER AND TYPE IV CABINET	EACH	2
TRANSCEIVER - FIBER OPTIC	EACH	9
FIBER OPTIC CABLE IN CONDUIT, NO. 62.5/125, MM12F SM12F	FOOT	8573
DRILL EXISTING HANDHOLE	EACH	13
INDUCTIVE LOOP DETECTOR	EACH	19
MODIFY EXISTING CONTROLLER CABINET	EACH	1
MODIFY EXISTING CONCRETE FOUNDATION	EACH	2
REMOVE ELECTRIC CABLE FROM CONDUIT	FOOT	1143
REMOVE AND RELOCATE EXISTING ELECTRICAL SERVICE	EACH	1
SERVICE INSTALLATION, TYPE A (MODIFIED)	EACH	1
REMOVE EXISTING TRAFFIC CONTROLLER AND CABINET	EACH	2