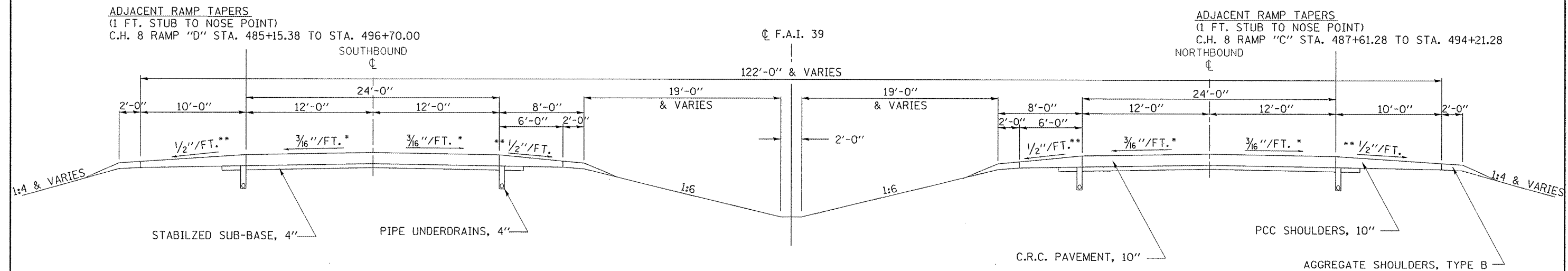


# EXISTING TYPICAL SECTION F.A.I. 39

STA. 377+00.00 TO STA. 511+11.00

## STATION EQUATION

STA. 377+24.54 (BK.) =  
STA. 377+00.00 (AH.)



\* SLOPE VARIES FOR SUPERELEVATION IN CURVES

\*\* SLOPE VARIES IN SUPERELEVATION WITH MAXIMUM OF 0.08 FT/FT DIFFERENCE

|  |                      |                |                           |   |                                 |                    |         |        |              |           |
|--|----------------------|----------------|---------------------------|---|---------------------------------|--------------------|---------|--------|--------------|-----------|
| FILE NAME =  | USER NAME = bergonaj | DESIGNED - AJB | REVISED -                 | <b>STATE OF ILLINOIS<br/>DEPARTMENT OF TRANSPORTATION</b> | <b>EXISTING TYPICAL SECTION</b> | F.A.I. RTE.        | SECTION | COUNTY | TOTAL SHEETS | SHEET NO. |
| cs:\pw_vork\pwidot\bergonaj\d0262495\0570928-sht-typical.CEL | DRAWN - AJB          | REVISED -      | 39                        |   |                                 | D5 PATCHING 2012-2 | MCLEAN  | 13     | 8            |           |
| PLOT SCALE = 40.0000' / IN.                                  | CHECKED -            | REVISED -      | CONTRACT NO. 70928        |   |                                 |                    |         |        |              |           |
| PLOT DATE = 3/16/2011  | DATE - 3/4/2011      | REVISED -      | ILLINOIS FED. AID PROJECT |   |                                 |                    |         |        |              |           |
| SCALE: N/A SHEET NO. 5 OF 6 SHEETS STA. N/A TO STA. N/A      |                      |                |                           |   |                                 |                    |         |        |              |           |