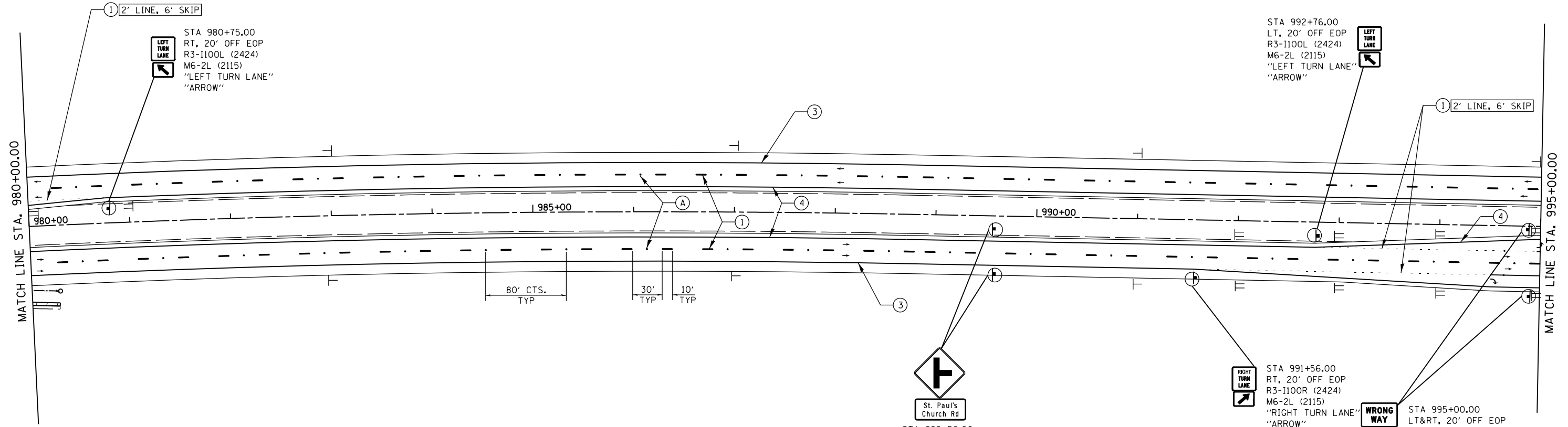


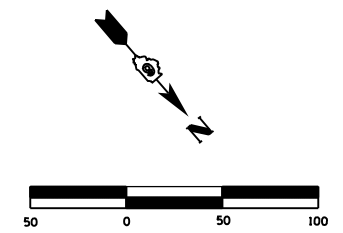
DELINEATOR SYMBOLS

- ┌ - SINGLE
- ┌ ─ - DOUBLE



PAVEMENT MARKING LEGEND

- (A) PR RAISED REFLECTIVE PAVEMENT MARKERS, ONE-WAY CRYSTAL
- (B) PR RAISED REFLECTIVE PAVEMENT MARKERS, ONE-WAY AMBER
- (C) PR RAISED REFLECTIVE PAVEMENT MARKERS, TWO-WAY AMBER
- (1) PR URETHANE PAVEMENT MARKING- LINE 5" (WHITE SKIP DASH)
- (2) PR URETHANE PAVEMENT MARKING- LINE 5" (YELLOW SKIP DASH)
- (3) PR URETHANE PAVEMENT MARKING- LINE 5" (SOLID WHITE)
- (4) PR URETHANE PAVEMENT MARKING- LINE 5" (SOLID YELLOW)
- (5) PR URETHANE PAVEMENT MARKING- LINE 6" (SOLID WHITE)
- (6) PR URETHANE PAVEMENT MARKING- LINE 8" (SOLID WHITE)
- (7) PR URETHANE PAVEMENT MARKING- LINE 12" (SOLID WHITE)
- (8) PR URETHANE PAVEMENT MARKING- LINE 12" (SOLID YELLOW)
- (9) PR PREFORMED PLASTIC PAVEMENT MARKING- LINE 24" (SOLID WHITE)
- (10) PR PREFORMED PLASTIC PAVEMENT MARKING- LETTERS & SYMBOLS (LARGE ARROWS= 15.6 SF/EACH)



FILE NAME =	USER NAME = Sparksgw	DESIGNED -	REVISED -
e:\pwork\pwork\dot\sparksgw\10264881\Signs-main\line_2b_v8.dgn		DRAWN -	REVISED -
	PLOT SCALE = 100.0000' / 1"	CHECKED -	REVISED -
	PLOT DATE = Mar-30-2011 08:49:19AM	DATE -	REVISED -

**STATE OF ILLINOIS  
DEPARTMENT OF TRANSPORTATION**

**STRIPING & SIGNING PLAN SHEETS  
FAP 310 (US 67)**

F.A.P. RTE.	SECTION	COUNTY	TOTAL SHEETS	SHEET NO.
310	69-3	MORGAN	793	258
CONTRACT NO. 72667				
FED. ROAD DIST. NO. ILLINOIS FED. AID PROJECT				

SCALE: SHEET NO. OF SHEETS STA. TO STA.