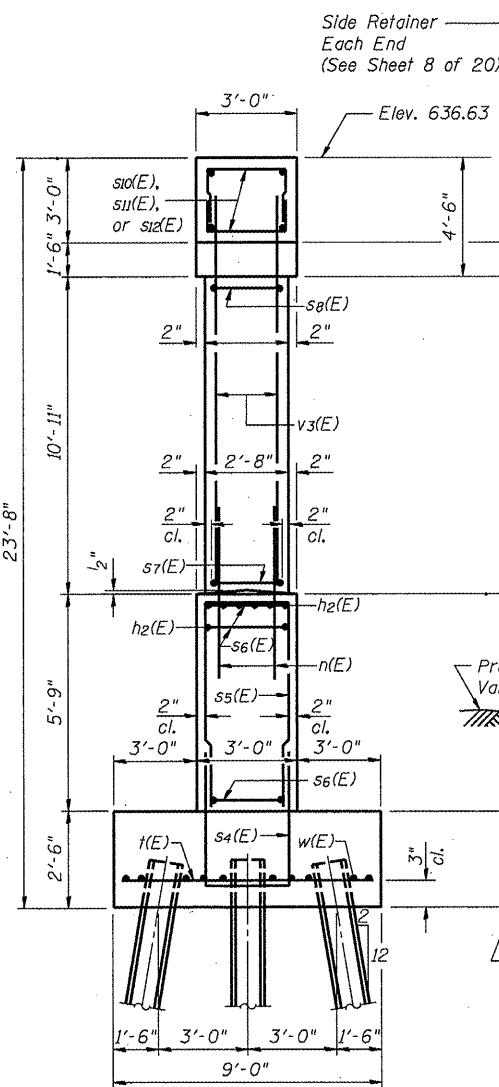
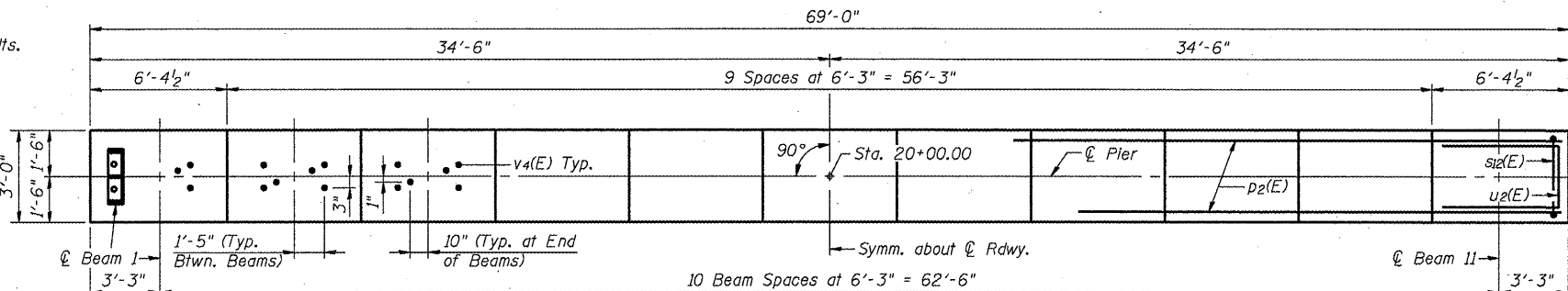


Notes:  
 Space reinforcement in cap to miss anchor bolts.  
 Pour steps monolithically with cap.  
 For details of piles, see sheet 16 of 20.

ROUTE NO.	SECTION	COUNTY	TOTAL SHEETS	SHEET NO.
F.A.S. 579	69-3(3HB)	MORGAN	793	338
FED. ROAD DIST. NO.	ILLINOIS	FED. AID PROJECT	Contract No. 72667	

**MINIMUM BAR LAP**

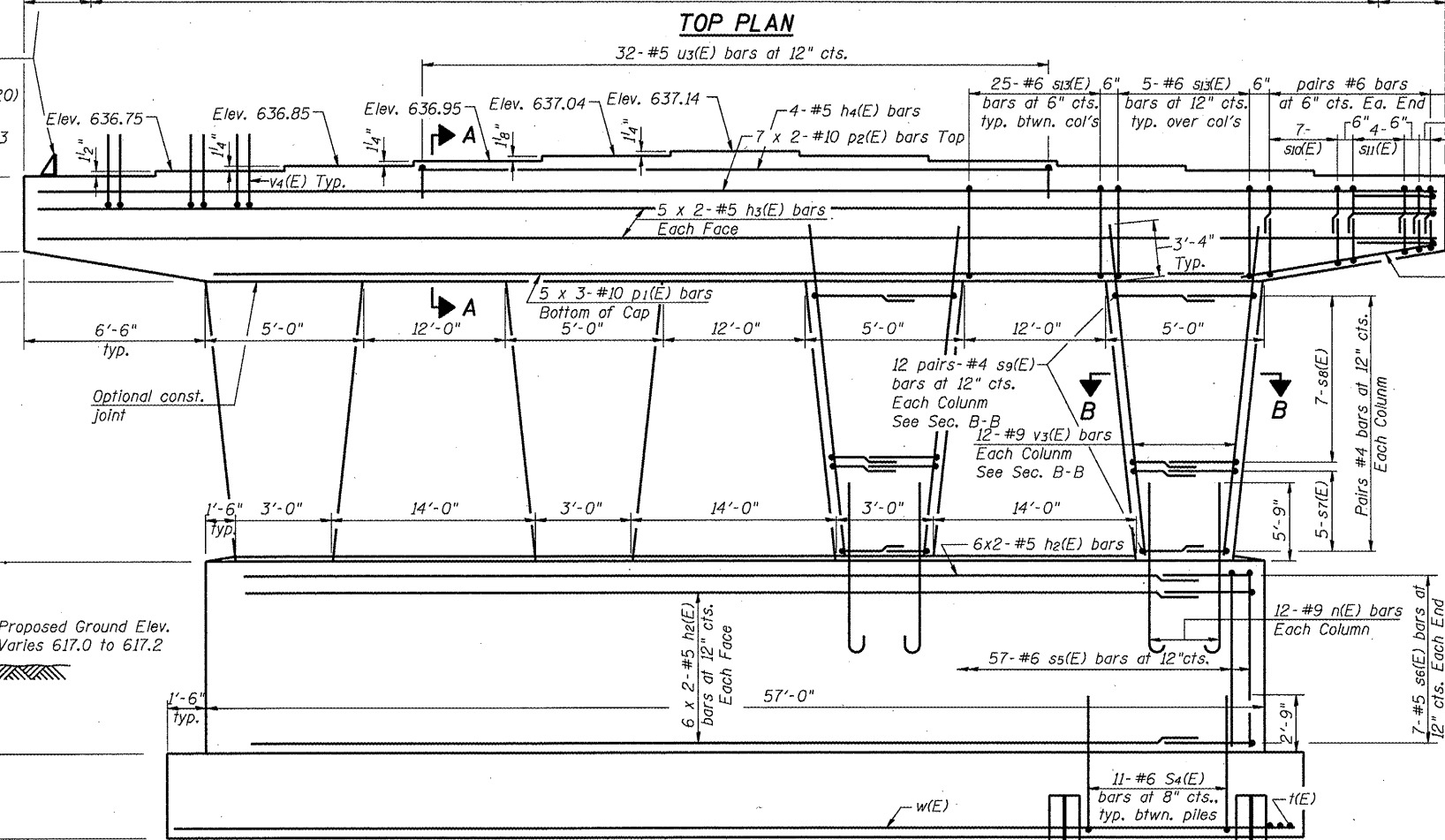
- #4 bar = 1'-8"
- #5 bar = 2'-2"
- #6 bar = 2'-7"
- #8 bar = 4'-6"
- #10 bar = 7'-3"



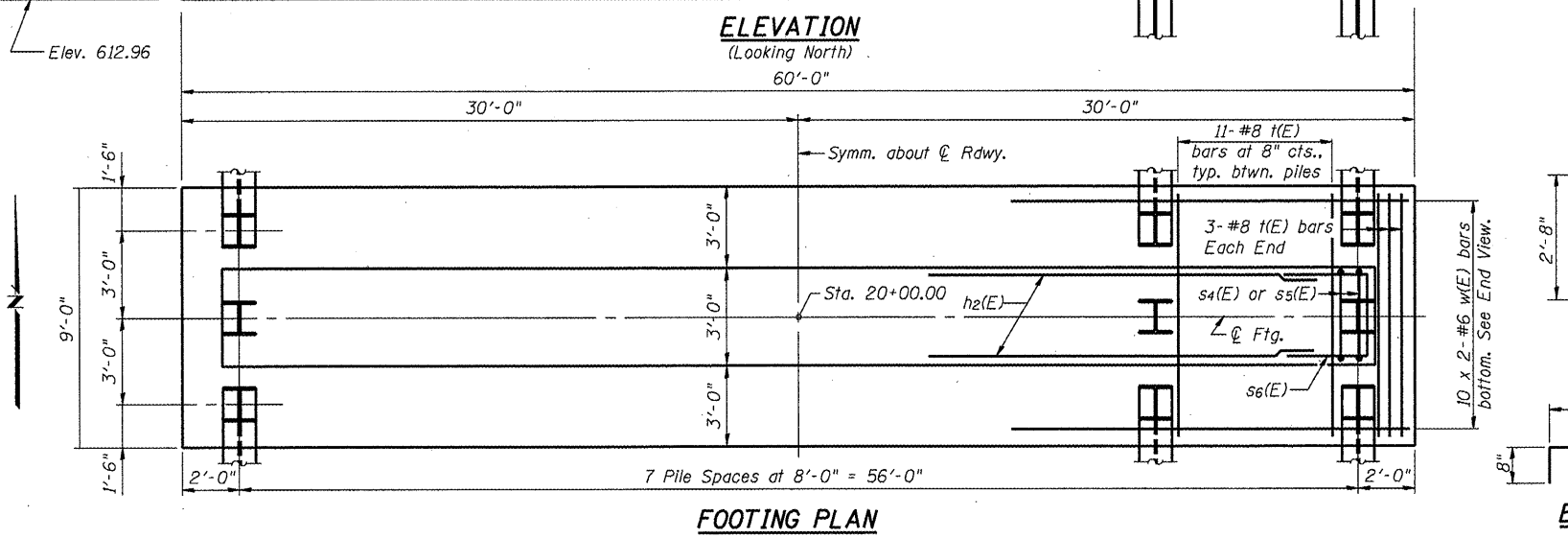
**END VIEW**

**PILE DATA**

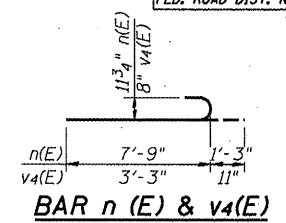
Type: HP 12x63  
 Nominal Required Bearing: 497 kips  
 Allowable Resistance Available: 166 kips  
 Est. Length: 82 ft.  
 No. Production Piles: 24  
 No. Test Piles: 0



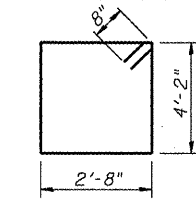
**ELEVATION**  
(Looking North)



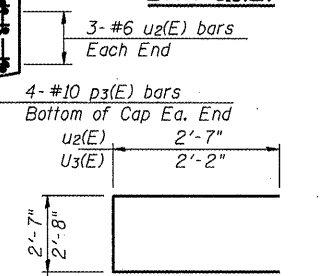
**FOOTING PLAN**



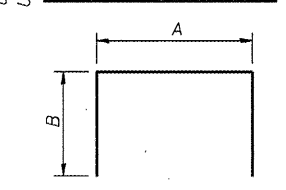
**BAR n(E) & v4(E)**



**BAR s13(E)**



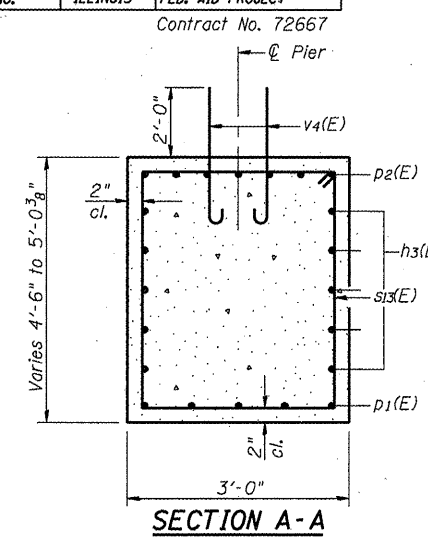
**BAR u2(E) & u3(E)**



**BARS s4(E) - s12(E)**

**A & B DIMENSIONS**

Bar	A	B
s4(E)	2'-8"	5'-0"
s5(E)	2'-8"	5'-5"
s6(E)	2'-7"	3'-11"
s7(E)	2'-4"	2'-6"
s8(E)	2'-4"	3'-1"
s12(E)	2'-8"	3'-5"
s11(E)	2'-8"	3'-0"
s12(E)	2'-8"	2'-8"

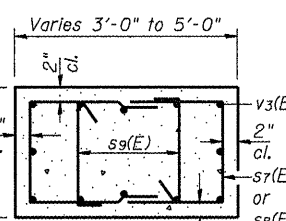


**SECTION A-A**

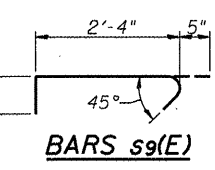
**BILL OF MATERIAL**

Bar	No.	Size	Length	Shape
h2(E)	36	#5	27'-8"	—
h3(E)	20	#5	35'-5"	—
h4(E)	4	#5	30'-11"	—
n(E)	48	#9	9'-0"	—
p1(E)	15	#10	23'-6"	—
p2(E)	14	#10	38'-0"	—
p3(E)	8	#10	6'-6"	—
s4(E)	77	#6	12'-8"	—
s5(E)	57	#6	13'-6"	—
s6(E)	14	#5	10'-5"	—
s7(E)	40	#4	7'-4"	—
s8(E)	56	#4	8'-6"	—
s9(E)	96	#4	3'-5"	—
s12(E)	28	#6	9'-6"	—
s11(E)	16	#6	8'-8"	—
s12(E)	8	#6	8'-0"	—
s13(E)	95	#6	15'-0"	—
t(E)	83	#8	8'-8"	—
u2(E)	6	#6	7'-9"	—
u3(E)	32	#5	7'-0"	—
v3(E)	48	#9	14'-2"	—
v4(E)	60	#8	4'-2"	—
w(E)	20	#6	31'-2"	—
Structure Excavation		Cu. Yd.	130.7	
Concrete Structures		Cu. Yd.	139.0	
Reinforcement Bars, Epoxy Coated		Pound	19900	
Furnishing Steel Piles, HP 12x63		Foot	1968	
Driving Piles		Foot	1968	

Bars indicated thus 4 x 2-#5 etc. indicates 4 lines of bars with 2 lengths per line.  
 Reinforcement bars designated (E) shall be epoxy coated.



**SECTION B-B**



**BARS s9(E)**

**PIER**  
**C.H. 7 (CONCORD RD.) (F.A.S. 579)**  
**OVER U.S. 67/IL 104 (F.A.P. 310)**  
**MORGAN COUNTY**  
**STA. 807+81.68 - SECTION 69-3(3HB)**  
**S.N. 069-0513**