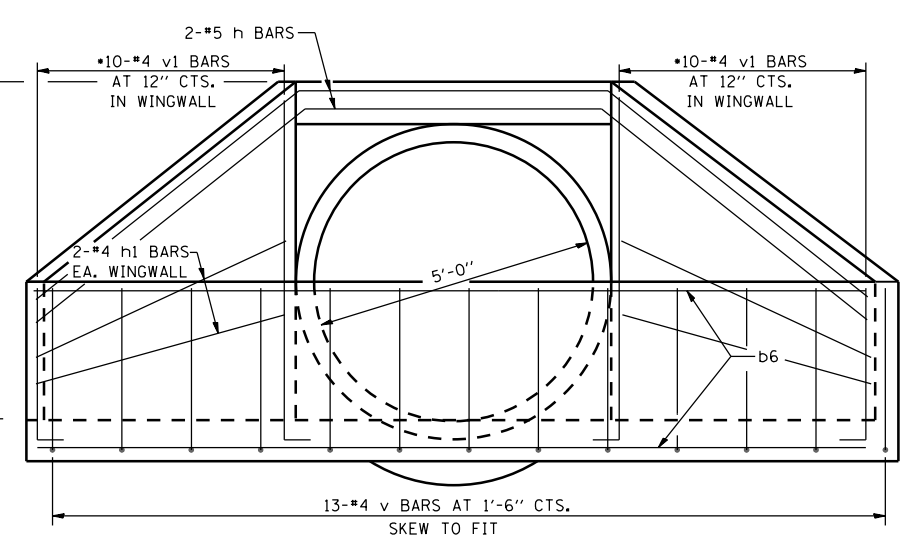
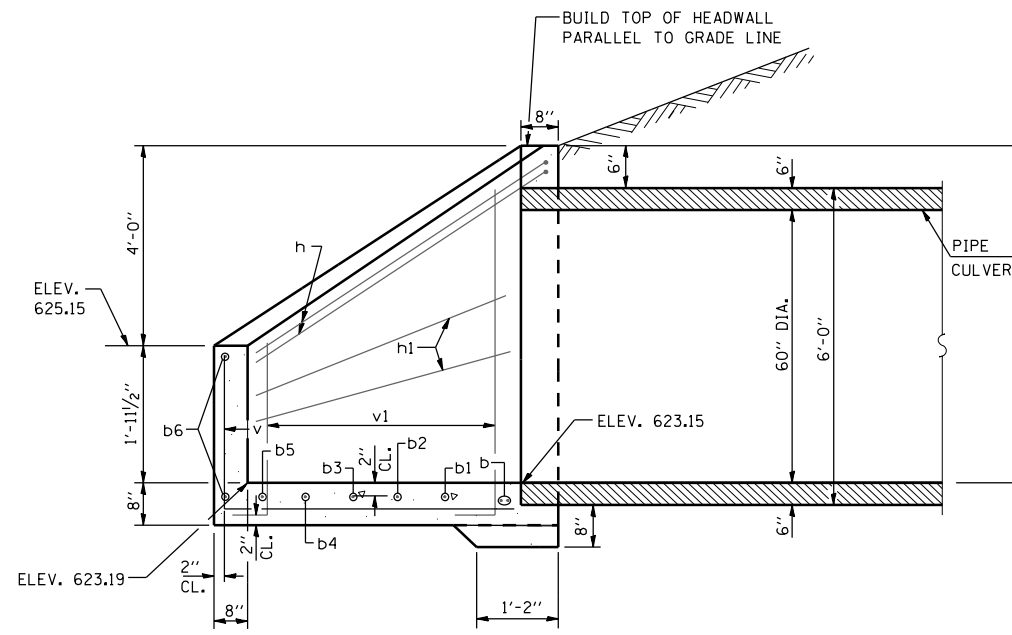


9:40:27 AM

Mar-30-2011 09:40:27 AM

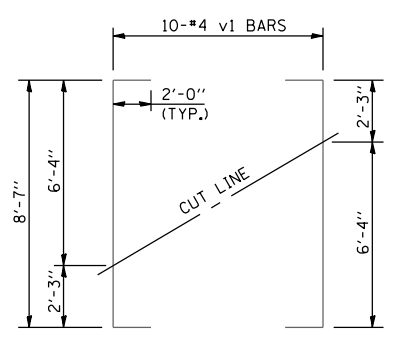
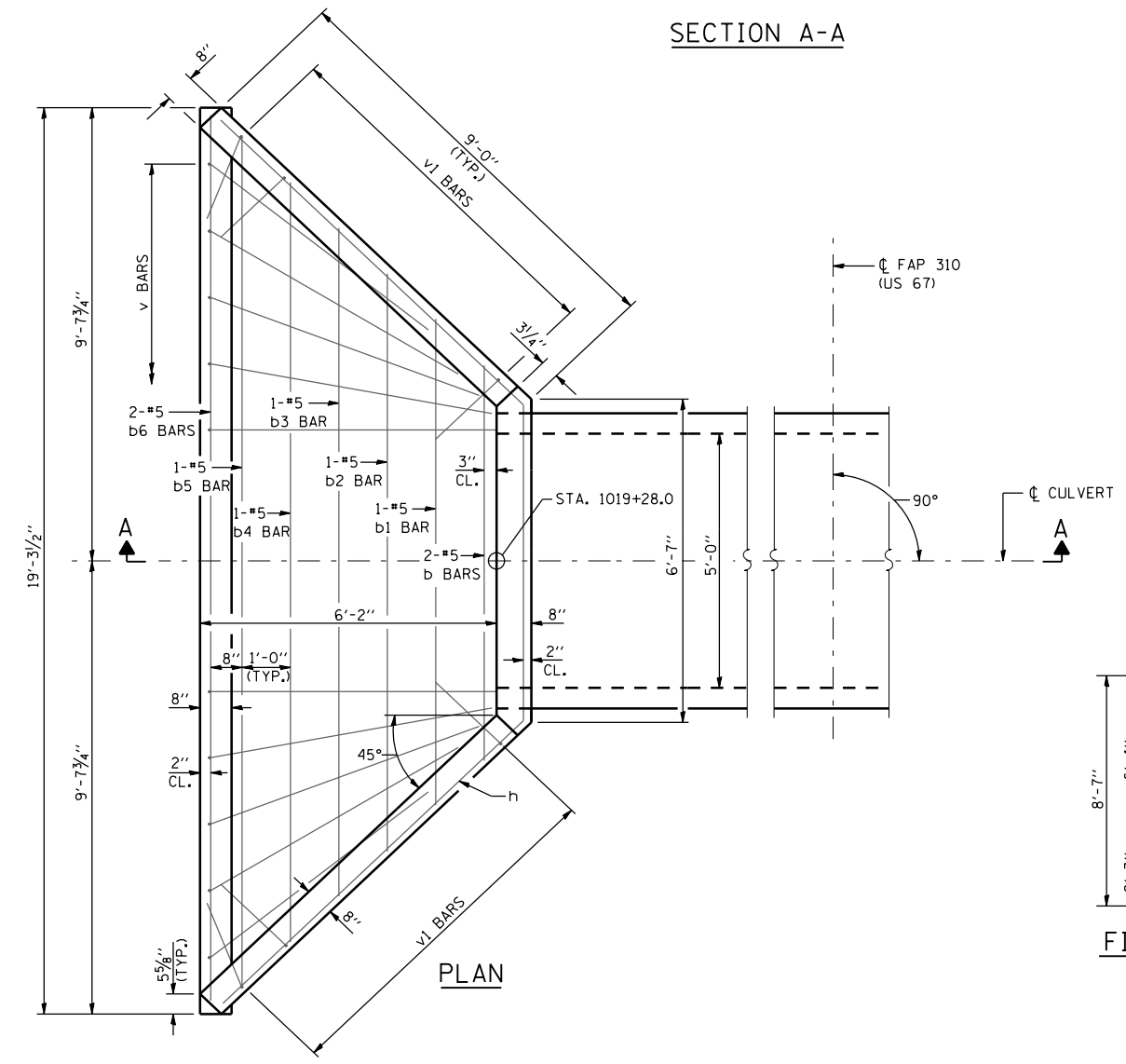
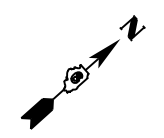
\$FILE\$

F.A.P. RTE.	SECTION	COUNTY	TOTAL SHEETS	SHEET NO.
310	69-3(3HB)	MORGAN	793	347
STA.		TO STA.		
FED. ROAD DIST. NO.	ILLINOIS	FED. AID PROJECT		

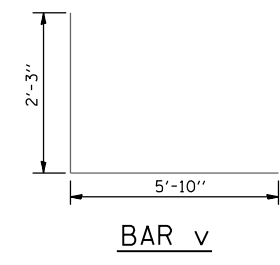
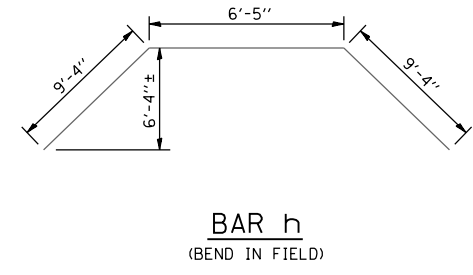


END VIEW • SEE FIELD CUTTING DIAGRAM

SECTION A-A



FIELD CUTTING DIAGRAM
ORDER v1 BARS FULL LENGTH



**** BILL OF MATERIAL**
(1 END SECTION)

BAR NO.	SIZE	LENGTH	SHAPE
b	#5	8'-1"	—
b1	#5	10'-1"	—
b2	#5	12'-1"	—
b3	#5	14'-1"	—
b4	#5	16'-1"	—
b5	#5	18'-1"	—
b6	#5	18'-11"	—
h	#5	25'-1"	∩
h1	#4	8'-10"	—
v	#4	8'-1"	└
v1	#4	12'-7"	└

** FOR INFORMATION ONLY

REVISIONS	
NAME	DATE

ILLINOIS DEPARTMENT OF TRANSPORTATION
CULVERT END SECTION
STATION 1019+28.00
FAP 310 (US 67/IL 104)
 DRAWN BY ADB
 CHECKED BY MTH
 DATE 10/07