

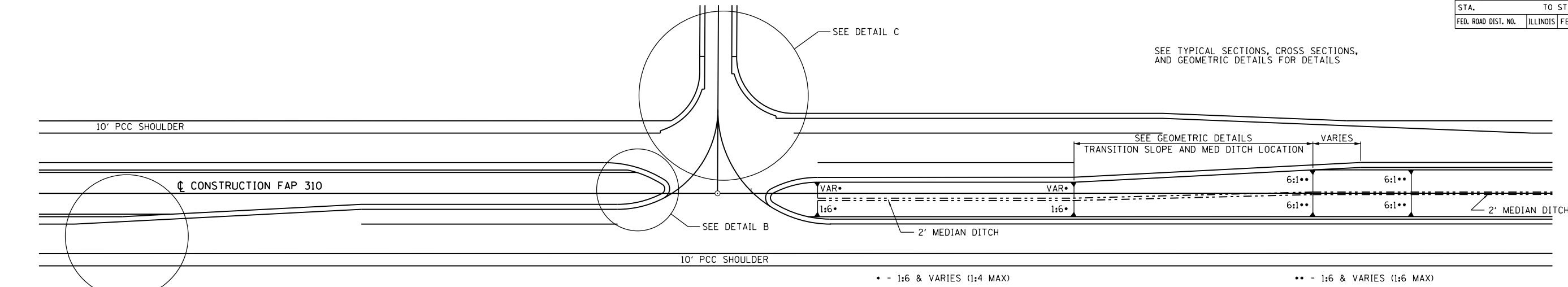
9:45:14 AM

Mar-30-2011 09:45:14AM

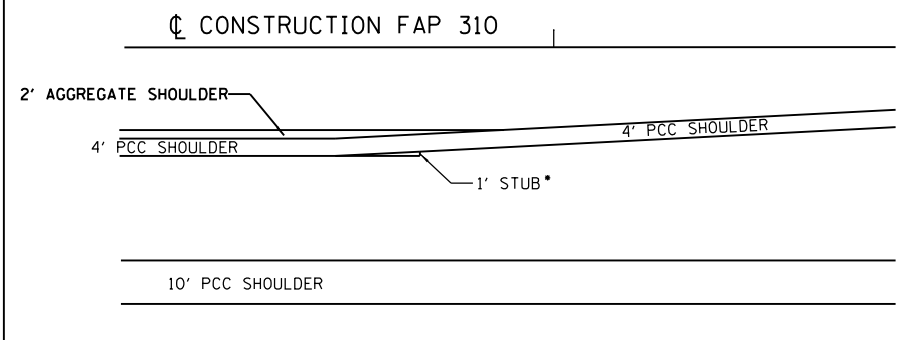
\$FILE\$

F.A.P. RTE.	SECTION	COUNTY	TOTAL SHEETS	SHEET NO.
310	69-3(3HB)	MORGAN	793	429
STA.		TO STA.		
FED. ROAD DIST. NO.	ILLINOIS	FED. AID PROJECT		

SEE TYPICAL SECTIONS, CROSS SECTIONS, AND GEOMETRIC DETAILS FOR DETAILS

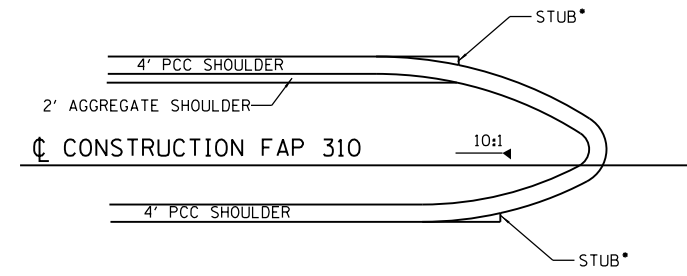


PLAN VIEW



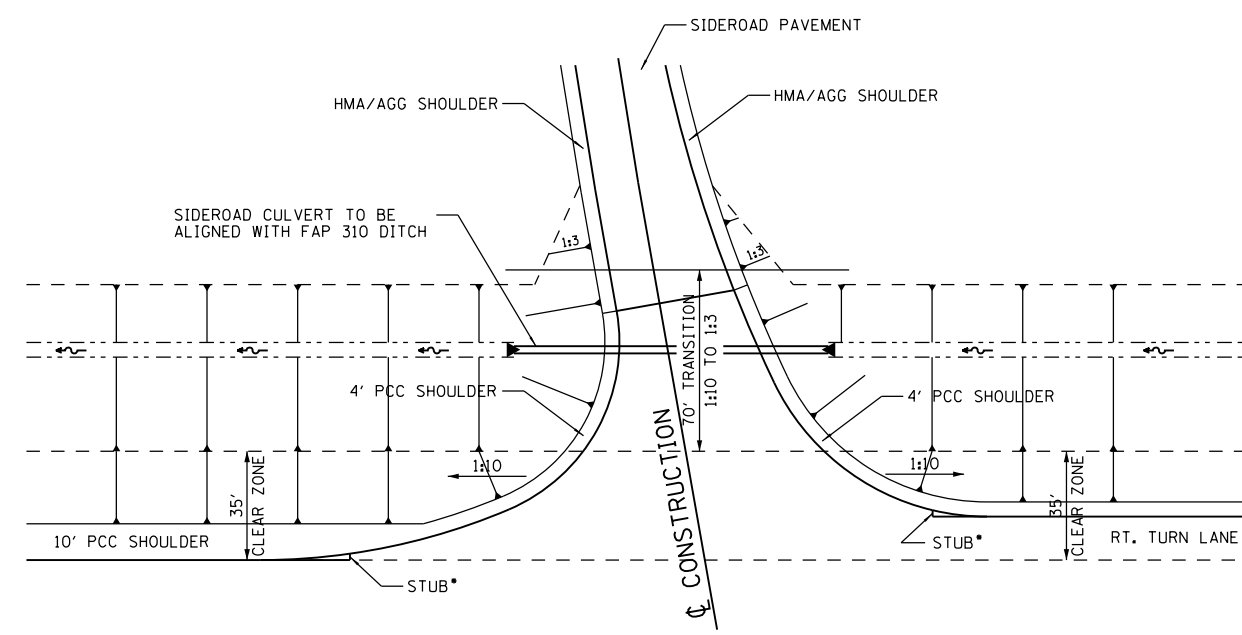
DETAIL "A"

ADJUST SPACING OF SAWED LONGITUDINAL JOINTS TO MATCH STUB LOCATIONS AS DIRECTED BY THE ENGINEER.



DETAIL "B"

• -SEE PAVMENT JOINT DETAILS FOR STUB LOCATIONS AND WIDTHS.



DETAIL "C"

REVISIONS	
NAME	DATE

ILLINOIS DEPARTMENT OF TRANSPORTATION

MISCELLANEOUS DETAILS  
SHOULDERS & SLOPES  
FAP 310 (US 67/IL 104)

DATE 8/06

DRAWN BY EBB  
CHECKED BY