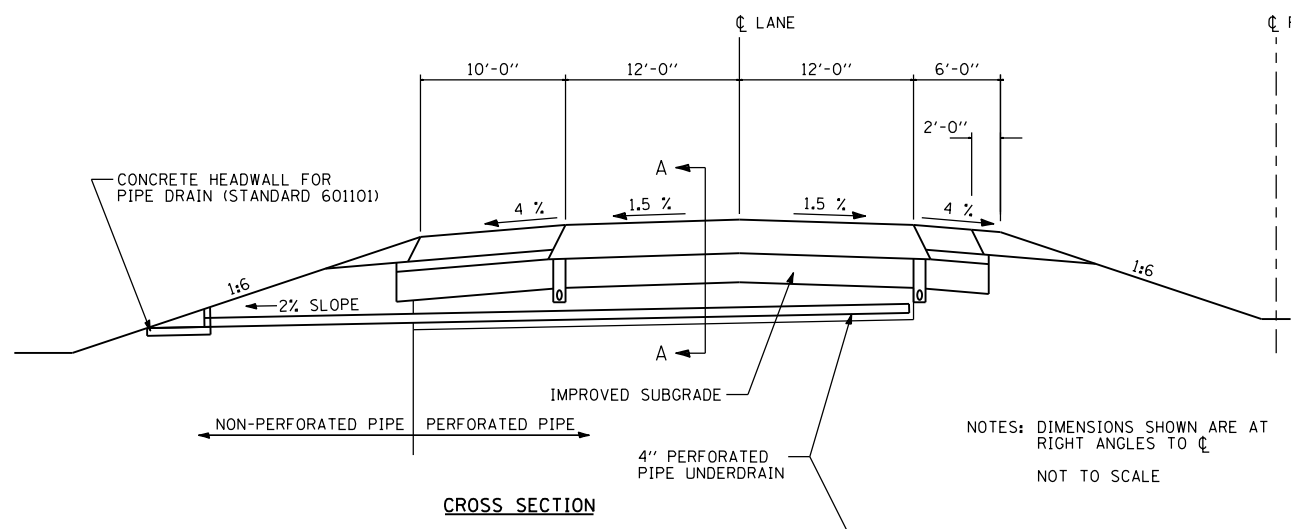


F.A.P. RTE.	SECTION	COUNTY	TOTAL SHEETS	SHEET NO.
310	69-3(3HB)	MORGAN	793	436
STA.		TO STA.		
FED. ROAD DIST. NO.	ILLINOIS	FED. AID PROJECT		

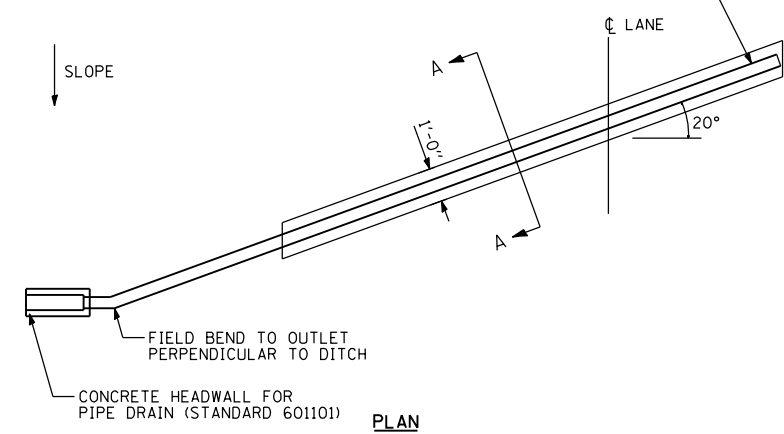
9:45:37 AM

\$ FILE \$

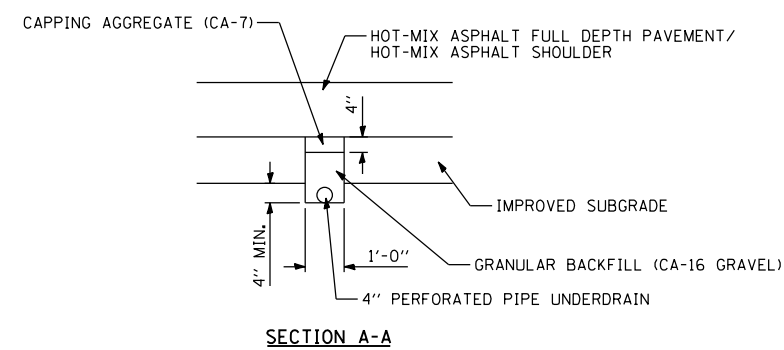


CROSS SECTION

NOTES: DIMENSIONS SHOWN ARE AT RIGHT ANGLES TO CL
NOT TO SCALE



PLAN



SECTION A-A

GENERAL NOTES

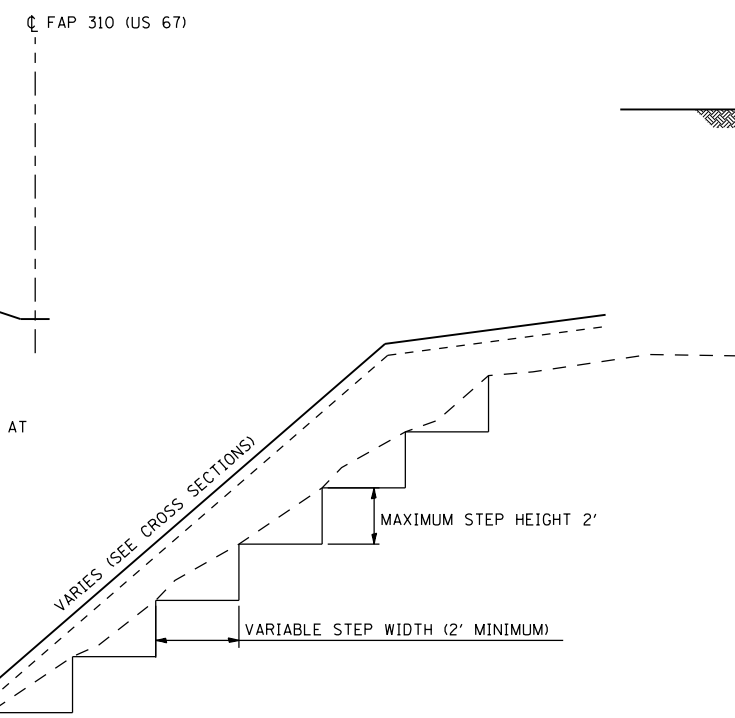
TRANSVERSE DRAIN MATERIALS AND CONSTRUCTION SHALL CONFORM TO SECTION 601 OF THE STANDARD SPECIFICATIONS EXCEPT THAT NO FABRIC ENVELOPE IS REQUIRED ON PERFORATED PIPE AND THE GRANULAR BACKFILL GRADATION SHALL BE CA-16 GRAVEL.

ALL MATERIALS WILL NOT BE MEASURED SEPARATELY, BUT WILL BE INCLUDED IN THE COST PER EACH FOR THE PAY ITEM "TRANSVERSE DRAINS COMPLETE".

SKEW THE TRANSVERSE DRAIN 20° FORWARD IN THE DIRECTION OF FLOW.

PIPE UNDERDRAINS MAY BE DELETED WITHIN ROCKFILL AREAS WHERE TRANSVERSE DRAINS ARE INSTALLED.

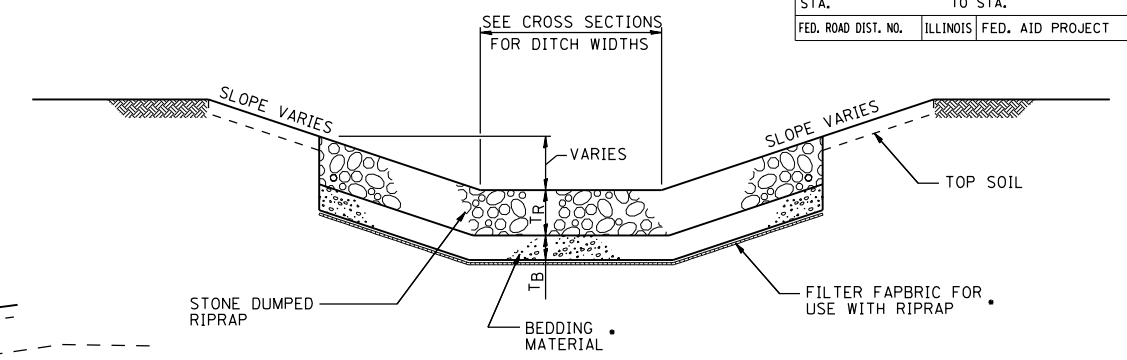
TRANSVERSE DRAIN - TANGENT PAVEMENT



TYPICAL FILLSLOPE STEPPING DETAIL

NOTE: THIS DETAIL SHALL BE APPLIED TO SIDESLOPE FILLS WHERE THE EXISTING SLOPE IS STEEPER THAN 1:3.

NOT TO SCALE

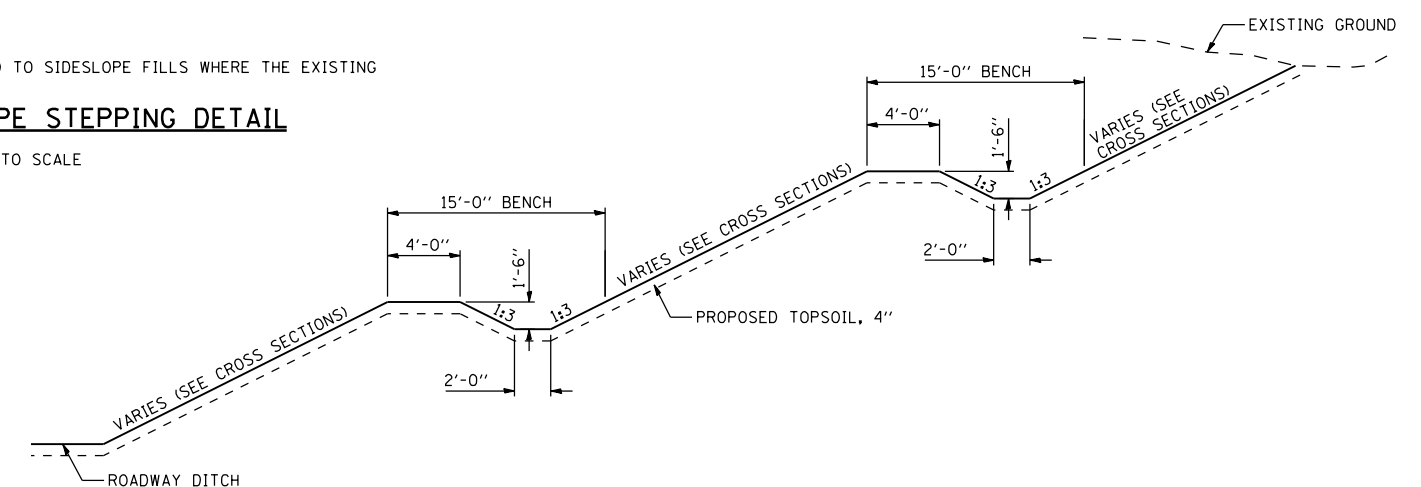


RIPRAP GRADATION	RIPRAP THICKNESS (T _R)	BEDDING THICKNESS (T _B)
RR3	12"	6"
RR4	12"	6"
RR5	18"	6"
RR6	18"	6"

* STONE DUMPED RIPRAP GRADATION RR3 HAS NO BEDDING MATERIAL OR FILTER FABRIC UNLESS IN SANDY SOILS.

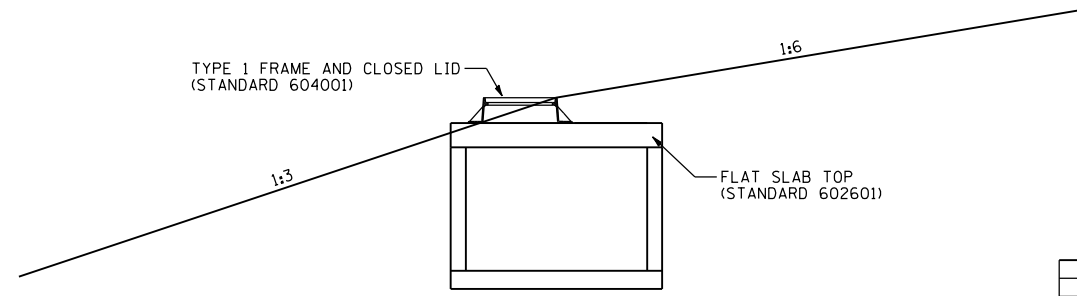
TYPICAL STONE DUMPED RIPRAP DITCH LINING

SEE SCHEDULE FOR INSTALLATION LOCATIONS



TYPICAL BENCH DITCH IN BACKSLOPES

NOT TO SCALE
SEE CROSS SECTIONS & PROFILES FOR EXACT LOCATIONS



TYPICAL GRADING FOR MANHOLE WITH TYPE 1 FRAME & CLOSED LID

NOT TO SCALE
SEE CROSS SECTIONS & PROFILES FOR EXACT LOCATIONS

REVISIONS	
NAME	DATE

ILLINOIS DEPARTMENT OF TRANSPORTATION

MISCELLANEOUS DETAILS
SLOPE BENCHING - RIPRAP
FAP 310 (US 67/IL 104)

DATE 9/06

DRAWN BY EBB
CHECKED BY