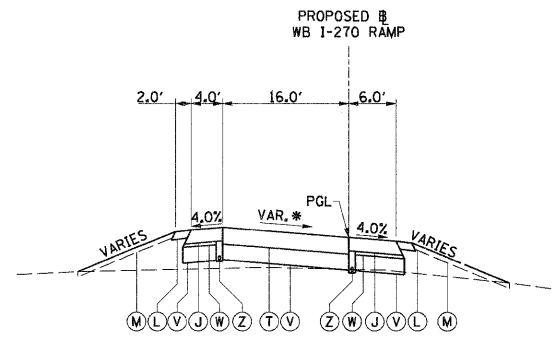


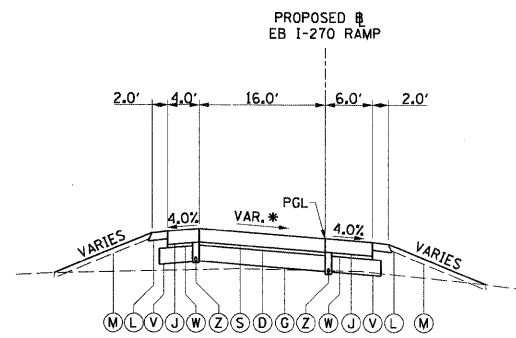
PROPOSED LEGEND

- (A) CONT REINF PCC PVT 12
 - (B) HMA SC "D" N50
 - (C) HMA BC IL-12.5 N50
 - (D) STABILIZED SUBBASE 4"
 - (E) BIT SURF TREAT CL A-3
 - (F) AGG BASE CSE A 8
 - (G) SUB GRAN MAT A 12
 - (H) PCC SHOULDERS 12
 - (I) PCC SHOULDERS 12 SPL
 - (J) HMA SHOULDERS 10 1/2
 - (K) SHLDR STABILIZATION (NOTE 1)
 - (L) AGGREGATE SHLDS A 6
 - (M) TOPSOIL EXC & PLAC
 - (N) CONC BAR 2F 42HT
 - (O) CONC BAR 1F 42HT SPL
 - (P) MECH ST EARTH RET WL
 - (R) SPBGR TY A 6FT POSTS
 - (S) PCC PVT 12 JOINTED
 - (T) HMA PAVT FD 13
 - (V) PROCESS MOD SOIL 12 AND LINE
 - (W) SUB GRAN MAT C
 - (Y) SPBGR TY A 9FT POST
 - (Z) PIPE UNDERDRAINS 4
- NOTE 1) (K) PAID FOR AS (H) OR (J) TO MATCH ADJACENT SHOULDER



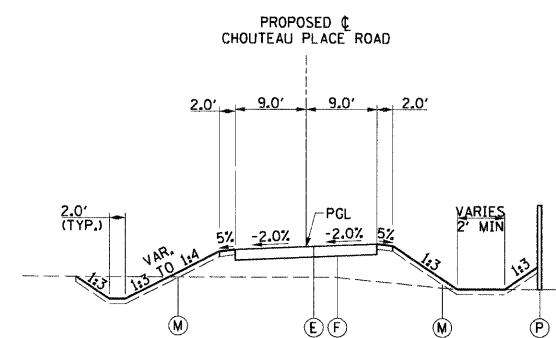
I-270 PROPOSED WB RAMP FROM SB IL RT 3

RAMP P1
STA 21164+24.10 TO STA 21184+00.00
*SEE SUPERELEVATION TRANSITION DETAILS



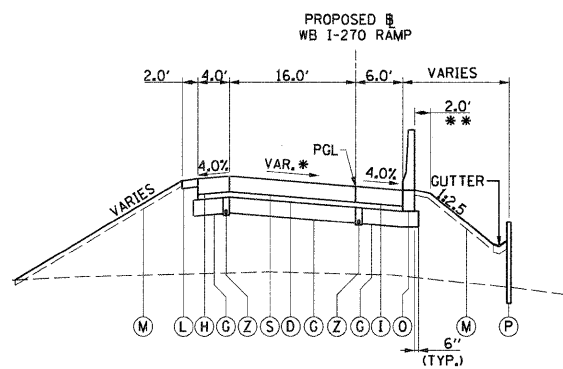
I-270 PROPOSED EB RAMP TO SB IL RT 3

RAMP P4
STA 11217+48.50 TO STA 11226+34.29
*SEE SUPERELEVATION TRANSITION DETAILS



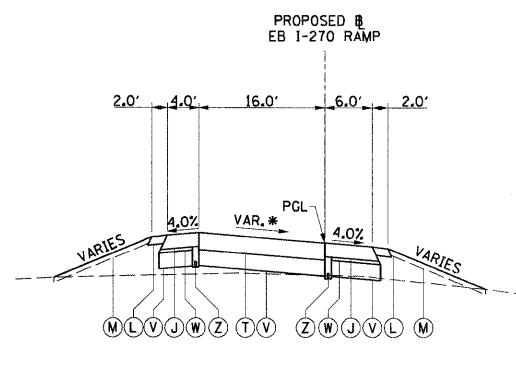
PROPOSED CHOUTEAU PLACE

STA 175+00 TO STA 180+82 (CHOUTEAU PLACE ROAD)



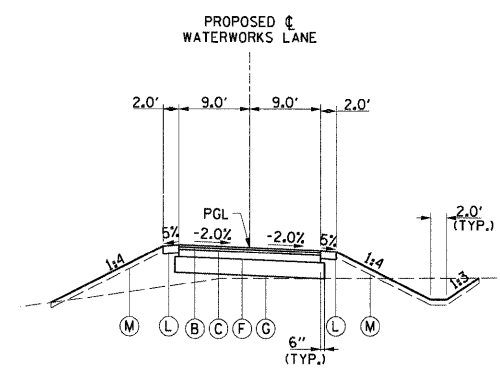
I-270 PROPOSED WB RAMP FROM SB IL RT 3

RAMP P1
STA 21184+00.00 TO STA 21189+81.02
*SEE SUPERELEVATION TRANSITION DETAILS
** (Z) STA. 21178+94.4 TO STA. 21184+03.1



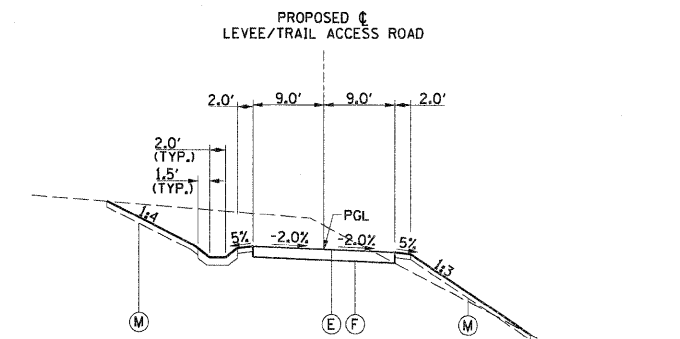
I-270 PROPOSED EB RAMP TO SB IL RT 3

RAMP P4
STA 11226+34.29 TO STA 11233+92.80
*SEE SUPERELEVATION TRANSITION DETAILS



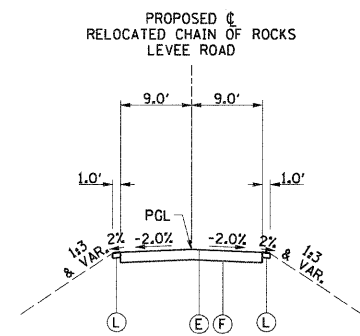
PROPOSED WATERWORKS ROAD

STA 1410+00 TO STA 1445+00



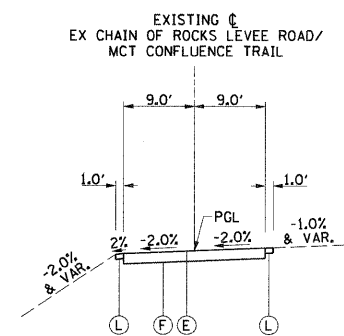
PROPOSED LEVEE/TRAIL ACCESS ROAD

STA 253+00 TO STA 260+75 SOUTH ACCESS ROAD



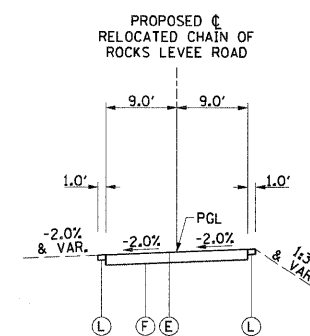
PROPOSED RELOCATED CHAIN OF ROCKS LEVEE ROAD

STA 341+02.24 TO STA 346+94.30



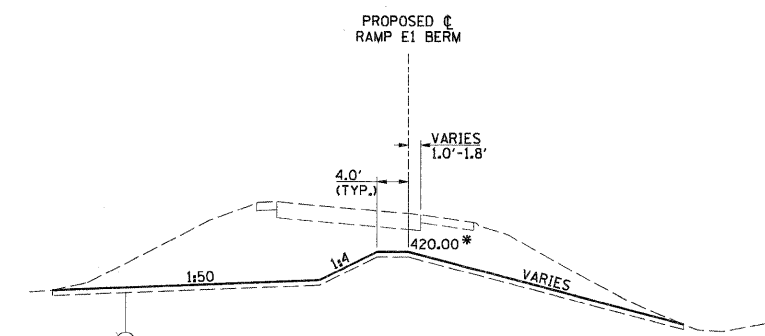
EX CHAIN OF ROCKS LEVEE ROAD/MCT CONFLUENCE TRAIL

STA 339+75.12 TO STA 346+90.58



PROPOSED RELOCATED CHAIN OF ROCKS LEVEE ROAD

STA 330+50.00 TO STA 341+02.24
STA 346+90.58 TO STA 349+25.00



*PROPOSED BERM ELEVATION WILL BE 420.00 FROM STA. 9+00 TO STA. 17+00 AND 423.00 FROM STA. 17+50 TO 21+00

PROPOSED RAMP E1 BERM

STA 9+00.00 TO STA 21+00.00

FILE NAME = D876A91-Sht-Typical05.DGN

USER NAME = sbilven

DESIGNED - SJM

REVISED - 12-30-2010

DRAWN - BAH

REVISED - 4-20-11

CHECKED - SJM

REVISED -

DATE - 06-30-10

REVISED -

**STATE OF ILLINOIS
DEPARTMENT OF TRANSPORTATION**

**PROPOSED TYPICAL SECTIONS
SIDE ROADS AND LEVEE ROADS**

SCALE: SHEET NO. 5 OF 5 SHEETS STA. TO STA.

F.A.I. RTE.	SECTION	COUNTY	TOTAL SHEETS	SHEET NO.
270	60-1B-1	MADISON	712	19
				CONTRACT NO. 76A91
ILLINOIS FED. AID PROJECT				