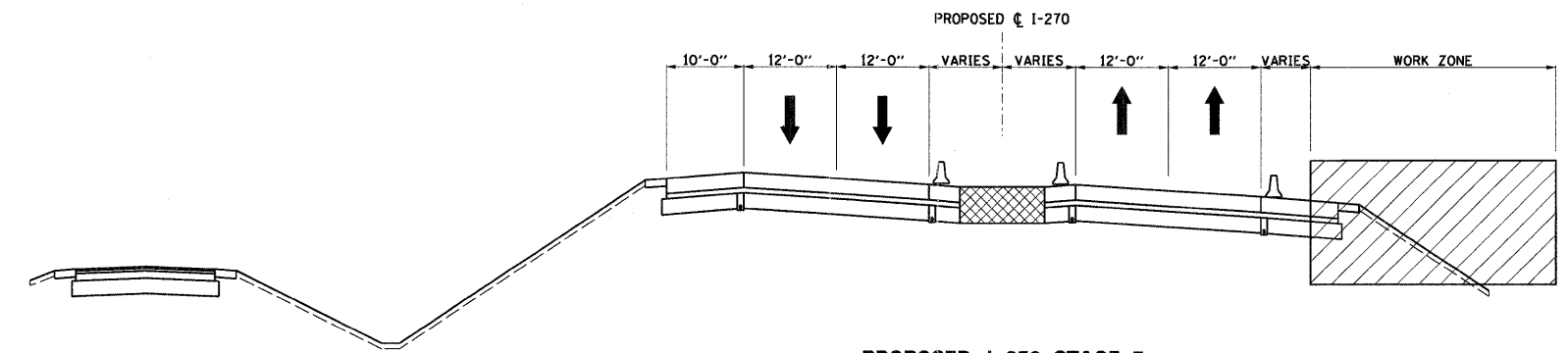


PROPOSED I-270 STAGE 6
EAST END SECTION
APPROXIMATE STA 1223+00 TO STA 1234+00



PROPOSED I-270 STAGE 7
EAST END SECTION
APPROXIMATE STA 1121+00 TO STA 1234+00

- MOT LEGEND**
- WORK ZONE AREA
 - TEMPORARY PAVEMENT
 - DIRECTION OF TRAFFIC
 - MOVEABLE CONCRETE BARRIER
 - TYPE II WITH STEADY BURNING MONODIRECTIONAL LIGHT

- EXISTING LEGEND**
- ① EX HOT-MIX ASPHALT OVERLAY
 - ② EX PCC PAVEMENT, 10"
 - ③ EX HOT-MIX ASPHALT SHOULDER
 - ④ EX AGGREGATE SHOULDER
 - ⑤ EX STEEL PLATE BEAM GUARDRAIL
 - ⑥ EX CABLE ROAD GUARD

NOTE:
SEE SUGGESTED MAINTENANCE OF TRAFFIC PLANS FOR ADDITIONAL INFORMATION.

FILE NAME = D876A91-Shl-MOTTP08.DGN

USER NAME = malopez
PLOT SCALE = #SCALE#
PLOT DATE = 3/16/2011

DESIGNED - SJM
DRAWN - ML
CHECKED - SJM
DATE - 06-30-10

REVISED - 06-30-10
REVISED -
REVISED -
REVISED -

**STATE OF ILLINOIS
DEPARTMENT OF TRANSPORTATION**

**SUGGESTED MAINTENANCE OF TRAFFIC
TYPICAL SECTIONS - STAGE 6 AND 7**

SCALE: SHEET NO. 8 OF 8 SHEETS STA. TO STA.

F.A.I. RTE.	SECTION	COUNTY	TOTAL SHEETS	SHEET NO.
270	60-1B-1	MADISON	712	96A
			CONTRACT NO. 76A91	
ILLINOIS FED. AID PROJECT				