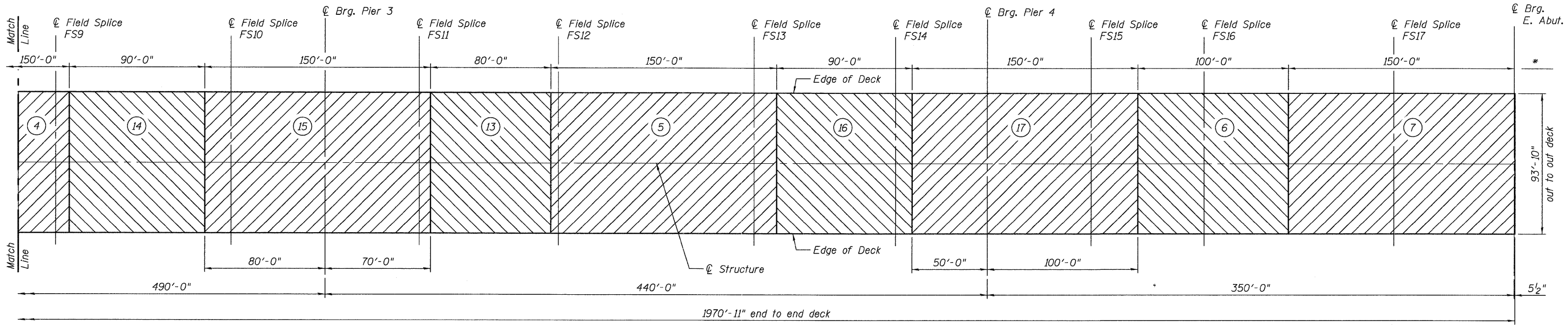


* Bonded Transverse Construction Joint Location

PARTIAL PLAN



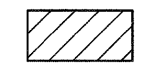
* Bonded Transverse Construction Joint Location

PARTIAL PLAN

NOTES:

- When the deck pour is stopped for the day at one or more of the transverse bonded construction joints in the deck pouring sequence as shown, the next pour shall not be made until both of the following are met:
 - At least 72 hours shall have elapsed from the end of the previous pour.
 - The concrete strength shall have attained a minimum flexural strength of 650 psi or a minimum compressive strength of 3500 psi.
- Camber and dead load deflection values shown on the girder detail drawings were developed based on the deck pouring sequence shown here. Any deviation from this pouring sequence will result in changes to camber and elevations that reflect dead load deflections, except as noted in Note 3. If the Contractor wishes to change the sequence, then the proposed plan revisions and design calculations shall be submitted to the Engineer for review and approval. The plan and calculations shall be prepared and sealed by a Licensed Structural Engineer in Illinois.
- The Contractor may combine: deck pours 8 and 9 into a single pour; deck pours 11 and 12 into a single pour; deck pours 14 and 15 into a single pour, without changing camber or elevations that reflect dead load deflections. If the Contractor wishes to combine these pours, the proposed plan revisions shall be submitted to the Engineer for review and approval.
- For concrete deck placement see Special Provision for Concrete Superstructure.

Legend:



Pour Limits



Pour Sequence Number

c:\pwworking\oma\d0549104\0600345-76A91-028-DPS.dgn
 jmgus
 3/15/2011 7:25:28 PM



USER NAME = jmgus	DESIGNED - BWC	REVISED -
FILE NAME = 0600345-76A91-028-DPS.DGN	CHECKED - LGP	REVISED -
PLOT SCALE = NONE	DRAWN - JM	REVISED -
PLOT DATE = 3/18/2011	CHECKED - BSK	REVISED -

**STATE OF ILLINOIS
DEPARTMENT OF TRANSPORTATION**

**DECK POURING SEQUENCE
STRUCTURE NO. 060-0345**

BRIDGE SHEET NO. 28 OF 133 SHEETS

F.A.I. RTE.	SECTION	COUNTY	TOTAL SHEETS	SHEET NO.
270	60-1B-1	MADISON	712	407
CONTRACT NO. 76A91				
ILLINOIS FED. AID PROJECT				