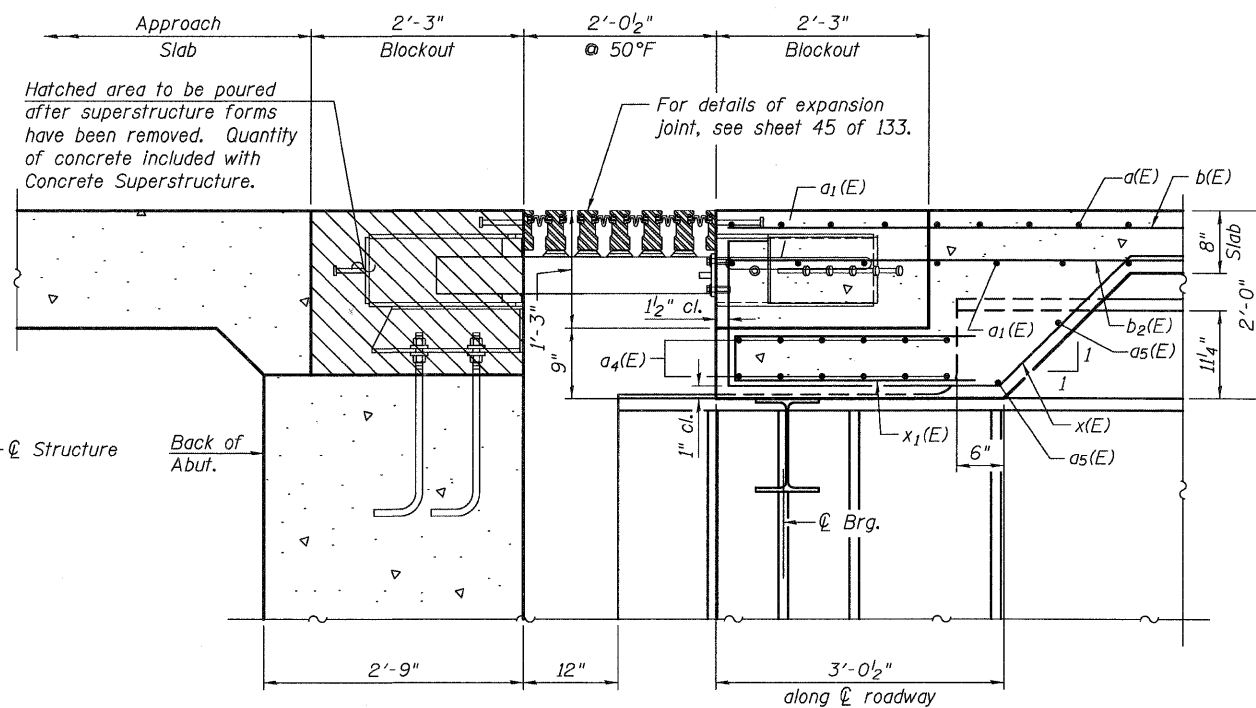


\* 91-#5  $x(E)$  bars at 12" cts. space with longitudinal slab reinf., Bott., each end  
 90-#4  $x_1(E)$  bars at 12" cts., alternate between each  $x(E)$  bar, each end

**PARTIAL PLAN - SPAN 1**



**SECTION A-A**

**MINIMUM BAR LAP (Slab)**

| Bar size | Transverse Bars | Longitudinal Bars |
|----------|-----------------|-------------------|
| #4       | 2'-7"           | 2'-1"             |
| #5       | 3'-3"           | 2'-7"             |
| #6       | 3'-10"          | 3'-1"             |
| #7       | 5'-2"           | 4'-2"             |

**NOTES:**

- See sheet 34 of 133, for superstructure cross section.
- Cut slab reinforcement as required to clear modular unit.

c:\pwworking\hmc\40549104\0600345-76A91-029-SPL.dgn  
 jmgus  
 3/15/2011 2:40:03 PM