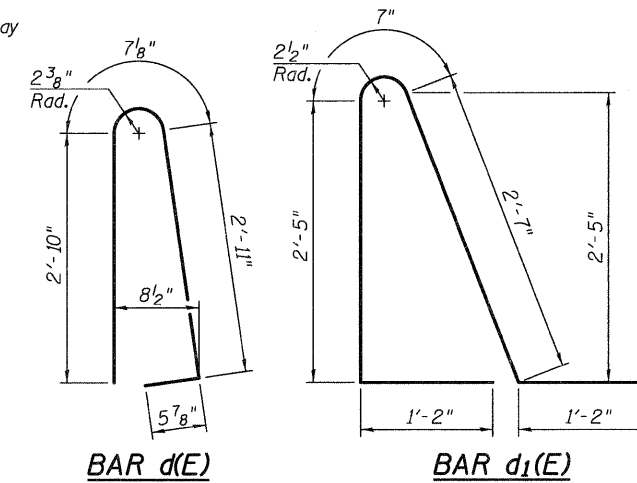


* Tilt #9 b₁(E) bars as required to maintain clearance.
 *** Cost included with Concrete Superstructure.

*** 10 mil. Polyethylene bond breaker on steel trowel finish

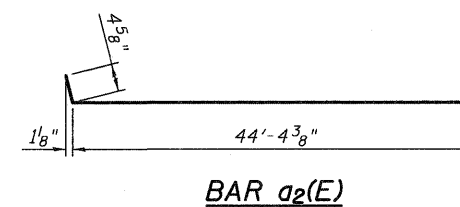


BAR d(E)

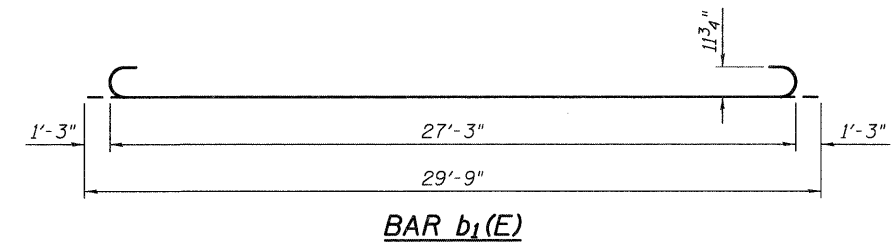
BAR d₁(E)

**EAST APPROACH
BILL OF MATERIAL**

Bar	No.	Size	Length	Shape
a(E)	40	#4	43'-6"	
a ₁ (E)	74	#5	43'-6"	
a ₂ (E)	4	#4	44'-9"	
a ₃ (E)	8	#5	44'-5"	
a ₄ (E)	4	#4	45'-1"	
a ₅ (E)	8	#5	45'-1"	
a ₆ (E)	5	#6	6'-6"	
b(E)	72	#4	29'-8"	
b ₁ (E)	210	#9	29'-9"	
b ₂ (E)	2	#4	4'-11"	
d(E)	6	#5	6'-10"	
d ₁ (E)	6	#5	7'-11"	
e(E)	8	#4	4'-11"	
e ₁ (E)	1	#8	4'-11"	
t(E)	182	#4	9'-8"	
w(E)	40	#5	44'-7"	
w ₁ (E)	40	#5	45'-3"	
Concrete Superstructure			Cu. Yd.	133.8
Concrete Structures			Cu. Yd.	27.8
Reinforcement Bars, Epoxy Coated			Pound	33,280



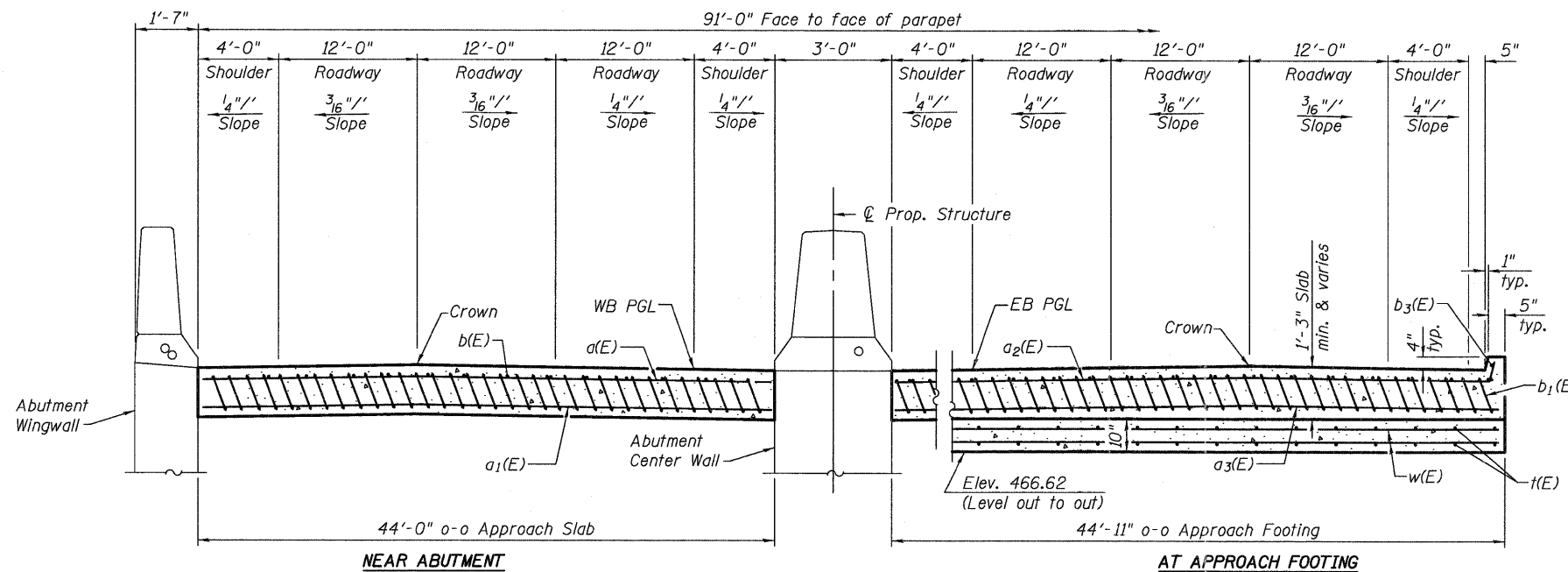
BAR a₂(E)



BAR b₁(E)

NOTES:

- See sheet 43 of 133 for Detail A and View B-B.
- Approach slab concrete shall be paid for as Concrete Superstructure.
- Approach footing concrete shall be paid for as Concrete Structures.
- Reinforcement shall be paid for as Reinforcement Bars, Epoxy Coated.
- For v₅₀(E) bar details, see sheet 89 of 133.
- The approach footing maximum applied service bearing pressure (Q_{max}) = 2.0 ksf.
- For bar splicer details, see sheet 104 of 133.
- Cost of excavation for approach footing included with Concrete Structures.
- For Porous Granular Embankment (Special) and drainage treatment details, see sheet 2 of 133.

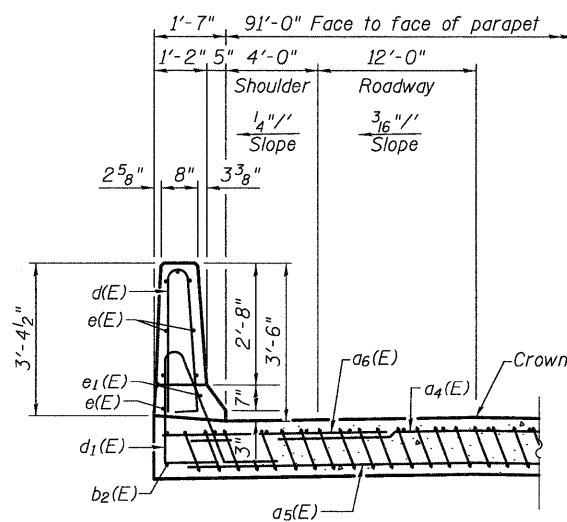


NEAR ABUTMENT

AT APPROACH FOOTING

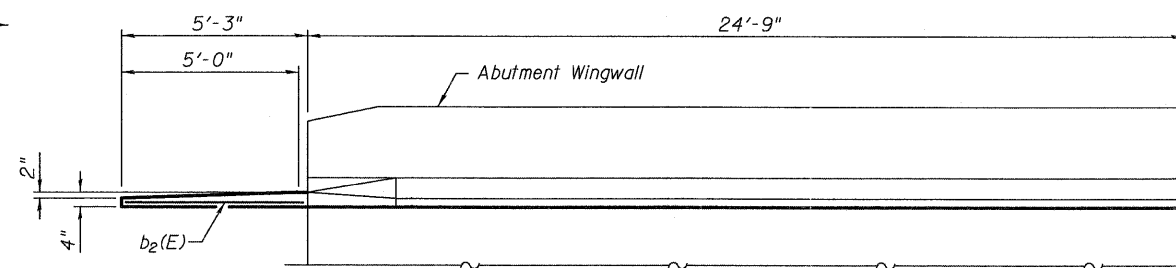
SECTION D-D

(See Plan for dimensions not shown)

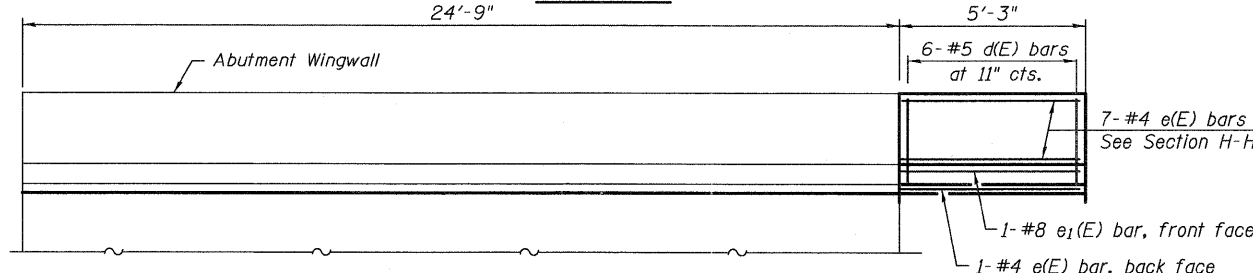


SECTION H-H

(Approach Footing not shown)



VIEW E-E



VIEW G-G

c:\pwworking\omni\d054904\0600345-76A91-044-ASD.dgn
jmgus

3/15/2011 2:15:23 PM