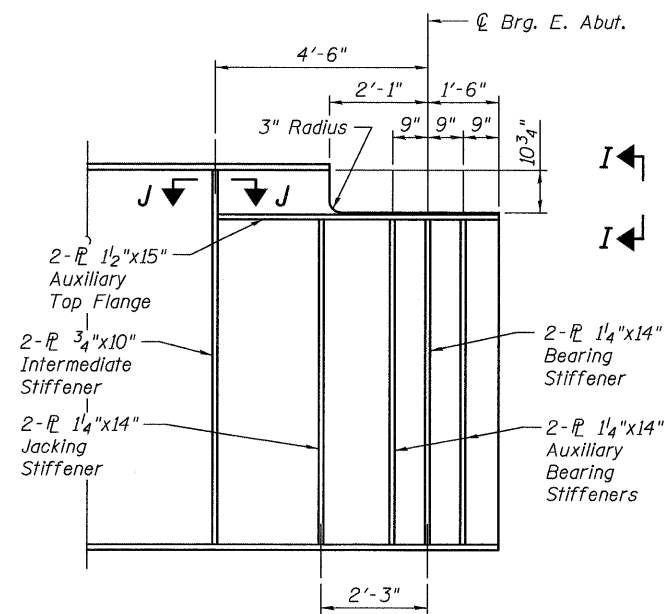
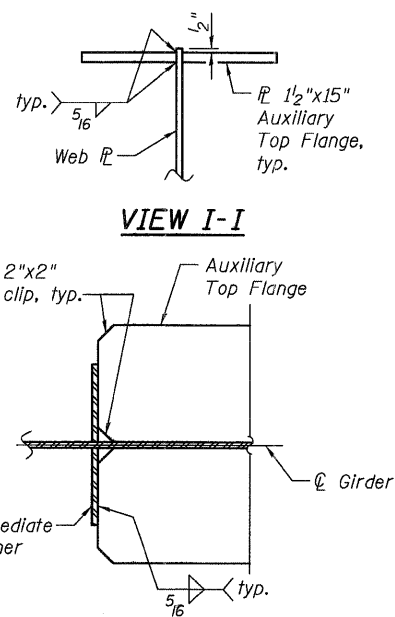


**PARTIAL GIRDER ELEVATION - SPAN 5**

"NTR" denotes plates to which notch toughness requirements are applicable.



**DETAIL I**



**SECTION J-J**

**NOTES:**

1. For Section A-A, see sheet 53 of 133.
2. For Details B, E, and F, see sheet 53 of 133.
3. For Detail H, see sheet 56 of 133.
4. For Stiffener Details, see sheet 62 of 133.
5. For General Notes, see sheet 3 of 133.
6. For Field Splice Details, see sheet 63 of 133.
7. For Inspection Walkway Details, see sheets 68 thru 71 of 133.
8. Work this sheet with sheet 53 of 133.

c:\pwworking\hdm\0600345-76A91-057-GDE.dgn jmgus

3/15/2011 2:16:32 PM



USER NAME = jmgus  
 FILE NAME = 0600345-76A91-057-GDE.DGN  
 PLOT SCALE = NONE  
 PLOT DATE = 3/18/2011

DESIGNED - BWC  
 CHECKED - LGP  
 DRAWN - JM  
 CHECKED - BSK

REVISED -  
 REVISED -  
 REVISED -  
 REVISED -

**STATE OF ILLINOIS  
 DEPARTMENT OF TRANSPORTATION**

**GIRDER ELEVATION  
 STRUCTURE NO. 060-0345**

BRIDGE SHEET NO. 57 OF 133 SHEETS

F.A.I. RTE.	SECTION	COUNTY	TOTAL SHEETS	SHEET NO.
270	60-1B-1	MADISON	712	436
CONTRACT NO. 76A91				
[ILLINOIS] FED. AID PROJECT				