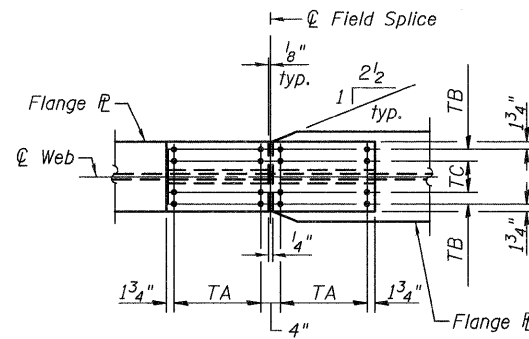


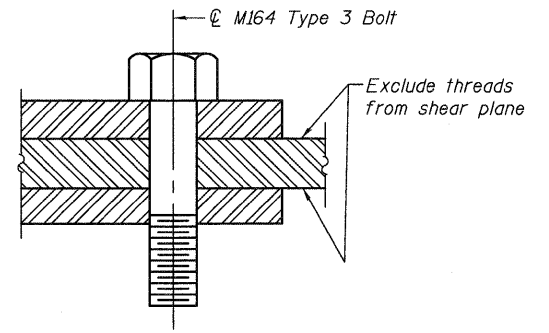
Field Splice	Top Flange					
	Splice ϕ		Filler ϕ	Bolt Spacing		
	T1	T2	T3	TA	TB	TC
FS1	1"x26"x2'-7 1/2"	1"x11 1/2"x2'-7 1/2"	-	4 spa. at 3" = 1'-0"	2 spa. at 4" = 8"	6 1/2"
FS2	1"x26"x3'-1 1/2"	1"x11 1/2"x3'-1 1/2"	-	5 spa. at 3" = 1'-3"	2 spa. at 4" = 8"	6 1/2"
FS3	1"x32"x4'-1 1/2"	1 1/4"x14 1/2"x4'-1 1/2"	1/4"x32"x2'-0 5/8"	7 spa. at 3" = 1'-9"	2 spa. at 5 1/2" = 11"	6 1/2"
FS4	1"x32"x4'-7 1/2"	1"x14 1/2"x4'-7 1/2"	1/4"x32"x2'-3 5/8"	8 spa. at 3" = 2'-0"	2 spa. at 5 1/2" = 11"	6 1/2"
FS5	1"x32"x4'-1 1/2"	1"x14 1/2"x4'-1 1/2"	1/4"x32"x2'-0 5/8"	7 spa. at 3" = 1'-9"	2 spa. at 5 1/2" = 11"	6 1/2"
FS6	1 1/4"x32"x5'-7 1/2"	1 1/2"x14 1/2"x5'-7 1/2"	-	10 spa. at 3" = 2'-6"	2 spa. at 5 1/2" = 11"	6 1/2"
FS7	1 1/4"x36"x6'-1 1/2"	1 1/2"x16 1/2"x6'-1 1/2"	1/4"x36"x3'-0 5/8"	11 spa. at 3" = 2'-9"	2 spa. at 6 1/2" = 1'-1"	6 1/2"
FS8	1 1/4"x36"x6'-1 1/2"	1 1/4"x16 1/2"x6'-1 1/2"	1/4"x36"x3'-0 5/8"	11 spa. at 3" = 2'-9"	2 spa. at 6 1/2" = 1'-1"	6 1/2"
FS9	1 1/4"x36"x6'-1 1/2"	1 1/4"x16 1/2"x6'-1 1/2"	1/4"x36"x3'-0 5/8"	11 spa. at 3" = 2'-9"	2 spa. at 6 1/2" = 1'-1"	6 1/2"
FS10	1 1/4"x36"x6'-1 1/2"	1 1/2"x16 1/2"x6'-1 1/2"	1/4"x36"x3'-0 5/8"	11 spa. at 3" = 2'-9"	2 spa. at 6 1/2" = 1'-1"	6 1/2"
FS11	1 1/4"x32"x5'-7 1/2"	1 1/2"x14 1/2"x5'-7 1/2"	-	10 spa. at 3" = 2'-6"	2 spa. at 5 1/2" = 11"	6 1/2"
FS12	1"x32"x4'-1 1/2"	1"x14 1/2"x4'-1 1/2"	1/4"x32"x2'-0 5/8"	7 spa. at 3" = 1'-9"	2 spa. at 5 1/2" = 11"	6 1/2"
FS13	1"x32"x4'-7 1/2"	1 1/4"x14 1/2"x4'-7 1/2"	1/4"x32"x2'-3 5/8"	8 spa. at 3" = 2'-0"	2 spa. at 5 1/2" = 11"	6 1/2"
FS14	1"x32"x4'-7 1/2"	1 1/4"x14 1/2"x4'-7 1/2"	1/4"x32"x2'-3 5/8"	8 spa. at 3" = 2'-0"	2 spa. at 5 1/2" = 11"	6 1/2"
FS15	1"x32"x3'-7 1/2"	1 1/4"x14 1/2"x3'-7 1/2"	-	6 spa. at 3" = 1'-6"	2 spa. at 5 1/2" = 11"	6 1/2"
FS16	1"x32"x4'-7 1/2"	1 1/4"x14 1/2"x4'-7 1/2"	1/2"x32"x2'-3 5/8"	8 spa. at 3" = 2'-0"	2 spa. at 5 1/2" = 11"	6 1/2"
FS17	1"x32"x5'-1 1/2"	1 1/4"x14 1/2"x5'-1 1/2"	1/2"x32"x2'-6 5/8"	9 spa. at 3" = 2'-3"	2 spa. at 5 1/2" = 11"	6 1/2"

Field Splice	Web			
	Splice ϕ	Filler ϕ	Bolt Spacing	
	W1	W2	WA	WB
FS1	1/2"x19 1/2"x7'-7 1/2"	-	2 spa. at 3" = 6"	22 spa. at 4" = 7'-4"
FS2	1/2"x19 1/2"x7'-7 1/2"	3/32"x9 5/8"x7'-7 1/2"	2 spa. at 3" = 6"	22 spa. at 4" = 7'-4"
FS3	1/2"x19 1/2"x10'-6"	-	2 spa. at 3" = 6"	35 spa. at 3 1/2" = 10'-2 1/2"
FS4	5/8"x25 1/2"x10'-6"	-	3 spa. at 3" = 9"	35 spa. at 3 1/2" = 10'-2 1/2"
FS5	1/2"x19 1/2"x10'-6"	-	2 spa. at 3" = 6"	35 spa. at 3 1/2" = 10'-2 1/2"
FS6	5/8"x25 1/2"x10'-6"	3/32"x12 5/8"x10'-6"	3 spa. at 3" = 9"	35 spa. at 3 1/2" = 10'-2 1/2"
FS7	5/8"x25 1/2"x10'-6"	3/32"x12 5/8"x10'-6"	3 spa. at 3" = 9"	35 spa. at 3 1/2" = 10'-2 1/2"
FS8	5/8"x25 1/2"x10'-6"	-	3 spa. at 3" = 9"	35 spa. at 3 1/2" = 10'-2 1/2"
FS9	5/8"x25 1/2"x10'-6"	-	3 spa. at 3" = 9"	35 spa. at 3 1/2" = 10'-2 1/2"
FS10	5/8"x25 1/2"x10'-6"	3/32"x12 5/8"x10'-6"	3 spa. at 3" = 9"	35 spa. at 3 1/2" = 10'-2 1/2"
FS11	5/8"x25 1/2"x10'-6"	3/32"x12 5/8"x10'-6"	3 spa. at 3" = 9"	35 spa. at 3 1/2" = 10'-2 1/2"
FS12	1/2"x19 1/2"x10'-6"	-	2 spa. at 3" = 6"	35 spa. at 3 1/2" = 10'-2 1/2"
FS13	1/2"x19 1/2"x10'-6"	-	2 spa. at 3" = 6"	35 spa. at 3 1/2" = 10'-2 1/2"
FS14	5/8"x25 1/2"x10'-6"	-	3 spa. at 3" = 9"	35 spa. at 3 1/2" = 10'-2 1/2"
FS15	1/2"x25 1/2"x8'-7 1/2"	1/6"x12 5/8"x8'-7 1/2"	3 spa. at 3" = 9"	25 spa. at 4" = 8'-4"
FS16	5/8"x25 1/2"x8'-7 1/2"	-	3 spa. at 3" = 9"	25 spa. at 4" = 8'-4"
FS17	5/8"x25 1/2"x8'-7 1/2"	-	3 spa. at 3" = 9"	25 spa. at 4" = 8'-4"

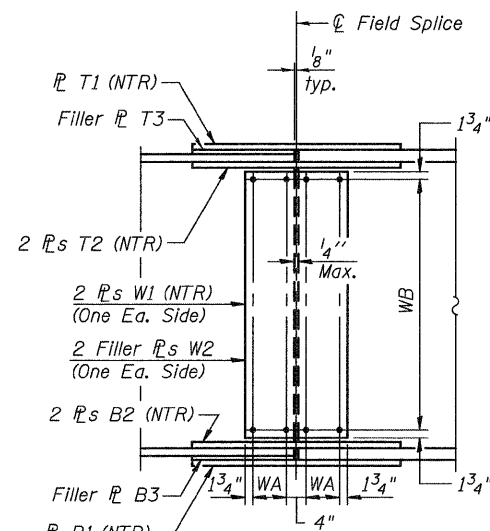
Field Splice	Bottom Flange					
	Splice ϕ		Filler ϕ	Bolt Spacing		
	B1	B2	B3	BA	BB	BC
FS1	1"x26"x3'-1 1/2"	1"x11 1/2"x3'-1 1/2"	-	5 spa. at 3" = 1'-3"	2 spa. at 4" = 8"	6 1/2"
FS2	1"x26"x3'-1 1/2"	1"x11 1/2"x3'-1 1/2"	-	5 spa. at 3" = 1'-3"	2 spa. at 4" = 8"	6 1/2"
FS3	1"x34"x5'-7 1/2"	1 1/4"x15 1/2"x5'-7 1/2"	1/2"x34"x2'-9 5/8"	10 spa. at 3" = 2'-6"	2 spa. at 6" = 1'-0"	6 1/2"
FS4	1 1/4"x34"x6'-1 1/2"	1 1/2"x15 1/2"x6'-1 1/2"	1/4"x34"x3'-0 5/8"	11 spa. at 3" = 2'-9"	2 spa. at 6" = 1'-0"	6 1/2"
FS5	1 1/4"x34"x5'-1 1/2"	1 1/4"x15 1/2"x5'-1 1/2"	1/4"x34"x2'-6 5/8"	9 spa. at 3" = 2'-3"	2 spa. at 6" = 1'-0"	6 1/2"
FS6	1 1/4"x34"x6'-1 1/2"	1 1/2"x15 1/2"x6'-1 1/2"	-	11 spa. at 3" = 2'-9"	2 spa. at 6" = 1'-0"	6 1/2"
FS7	1 1/4"x38"x5'-7 1/2"	1 1/2"x17 1/2"x5'-7 1/2"	1/2"x38"x2'-9 5/8"	10 spa. at 3" = 2'-6"	3 spa. at 4 5/8" = 1'-1 7/8"	6 3/4"
FS8	1 1/2"x38"x7'-1 1/2"	1 3/4"x17 1/2"x7'-1 1/2"	1/4"x38"x3'-6 5/8"	13 spa. at 3" = 3'-3"	2 spa. at 7" = 1'-2"	6 1/2"
FS9	1 1/2"x38"x7'-1 1/2"	1 3/4"x17 1/2"x7'-1 1/2"	1/4"x38"x3'-6 5/8"	13 spa. at 3" = 3'-3"	2 spa. at 7" = 1'-2"	6 1/2"
FS10	1 1/4"x38"x5'-7 1/2"	1 1/2"x17 1/2"x5'-7 1/2"	1/2"x38"x2'-9 5/8"	10 spa. at 3" = 2'-6"	3 spa. at 4 5/8" = 1'-1 7/8"	6 3/4"
FS11	1 1/4"x34"x6'-1 1/2"	1 1/2"x15 1/2"x6'-1 1/2"	-	11 spa. at 3" = 2'-9"	2 spa. at 6" = 1'-0"	6 1/2"
FS12	1 1/4"x34"x5'-1 1/2"	1 1/2"x15 1/2"x5'-1 1/2"	1/4"x34"x2'-6 5/8"	9 spa. at 3" = 2'-3"	2 spa. at 6" = 1'-0"	6 1/2"
FS13	1 1/4"x34"x5'-1 1/2"	1 1/2"x15 1/2"x5'-1 1/2"	1/4"x34"x2'-6 5/8"	9 spa. at 3" = 2'-3"	2 spa. at 6" = 1'-0"	6 1/2"
FS14	1"x34"x4'-7 1/2"	1 1/4"x15 1/2"x4'-7 1/2"	-	9 spa. at 3" = 2'-3"	2 spa. at 6" = 1'-0"	6 1/2"
FS15	1"x34"x4'-7 1/2"	1 1/4"x15 1/2"x4'-7 1/2"	-	8 spa. at 3" = 2'-0"	2 spa. at 6" = 1'-0"	6 1/2"
FS16	1 1/4"x34"x6'-1 1/2"	1 1/2"x15 1/2"x6'-1 1/2"	1/2"x34"x3'-0 5/8"	11 spa. at 3" = 2'-9"	2 spa. at 6" = 1'-0"	6 1/2"
FS17	1 1/2"x34"x6'-7 1/2"	1 3/4"x15 1/2"x6'-7 1/2"	1/4"x34"x3'-3 5/8"	12 spa. at 3" = 3'-0"	2 spa. at 6" = 1'-0"	6 1/2"



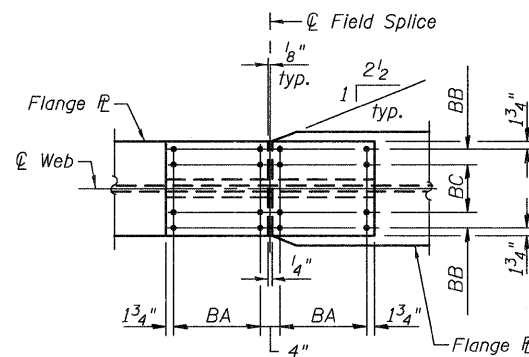
TOP FLANGE



BOLT DETAIL



ELEVATION



BOTTOM FLANGE

TYPICAL FIELD SPLICE DETAIL

NOTES:

- All bolted field splice connections shall be High Strength AASHTO M164 Type 3, 7/8" ϕ bolts in 1 5/16" ϕ holes.
- All web splice, flange splice, and fill plates shall be AASHTO M270 Grade 50W.
- Load carrying components designated "NTR" shall conform to the supplemental requirements for notch toughness, zone 2.
- Class B contact surface, for slip resistance, shall be provided for all web and flange bolted field splices.
- All bolts shall be sized to exclude threads from shear planes, see Bolt Detail.
- See Detail E on sheet 53 of 133 for Shear Connectors at Field Splice Plates.

c:\pwworking\omd\d0549104\0600345-76A91-063-FRD.dgn

3/15/2011 2:17:09 PM



USER NAME = jmgigus	DESIGNED - BWC	REVISED -
FILE NAME = 0600345-76A91-063-FRD.DGN	CHECKED - LGP	REVISED -
PLOT SCALE = NONE	DRAWN - JLM	REVISED -
PLOT DATE = 3/18/2011	CHECKED - BSK	REVISED -

STATE OF ILLINOIS
DEPARTMENT OF TRANSPORTATION

STEEL DETAILS - SPLICES
STRUCTURE NO. 060-0345

BRIDGE SHEET NO. 63 OF 133 SHEETS

F.A.I. RTE.	SECTION	COUNTY	TOTAL SHEETS	SHEET NO.
270	60-1B-1	MADISON	712	442
				CONTRACT NO. 76A91
ILLINOIS FED. AID PROJECT				