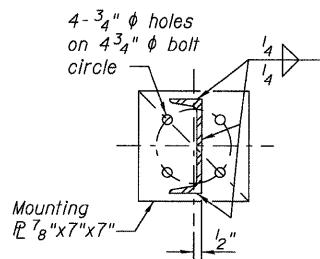
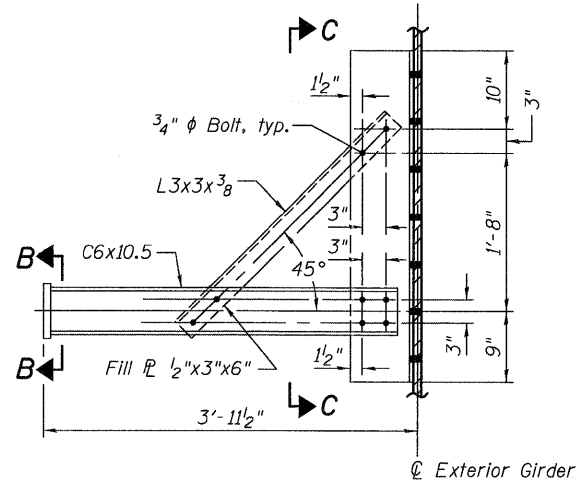


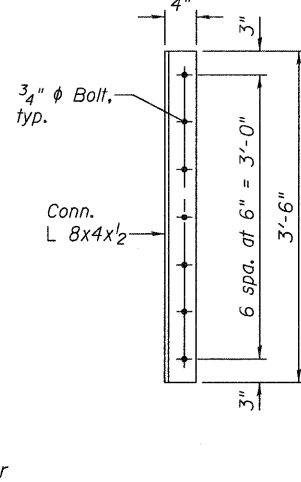
NAVIGATION LIGHT SUPPORT DETAIL



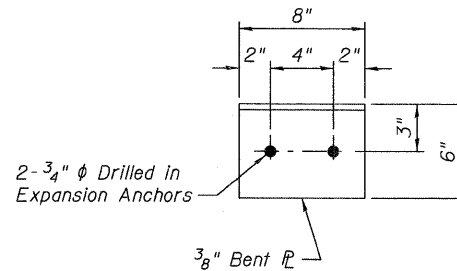
SECTION B-B



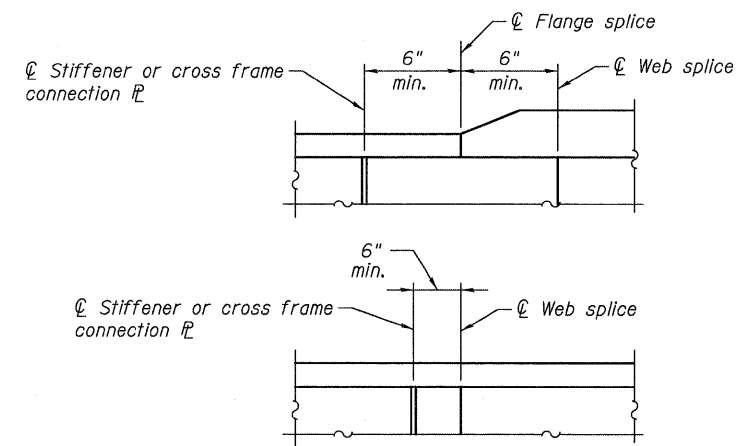
MOUNTING BRACKET DETAIL



VIEW C-C
Showing connection angle



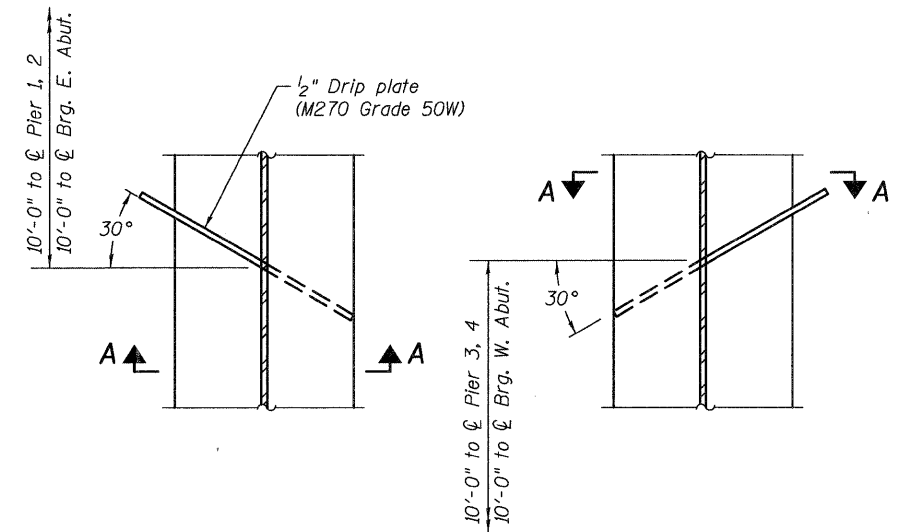
LOCKING ROD SUPPORT DETAIL



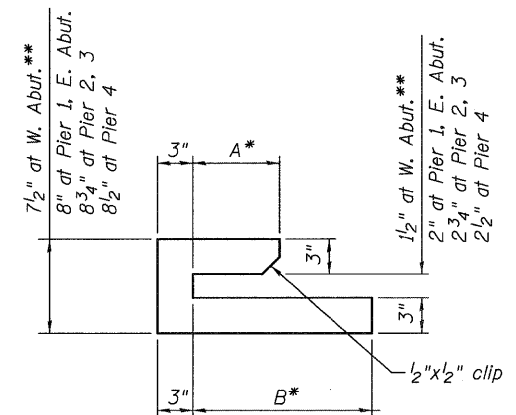
WELDED SHOP SPLICE CLEARANCE DETAILS

NOTES:

1. Cost of drip plates and adhesive included with Furnishing and Erecting Structural Steel, Lump Sum.
2. Drip plate shall be installed using a two component epoxy suitable for structural steel under prolonged exposure.
3. Cost of mounting bracket and locking rod support included with Furnishing and Erecting Structural Steel, Lump Sum.
4. All plates and shapes for mounting bracket and locking rod support shall be AASHTO M270 Grade 50W.
5. For navigational light details, see electrical plans.

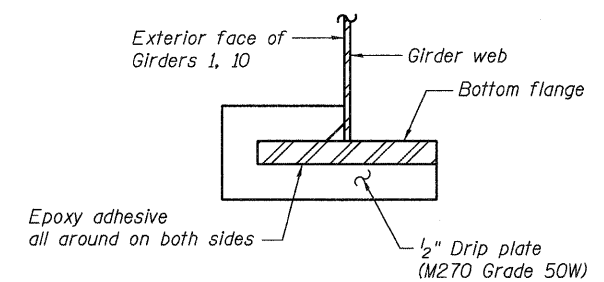


DRIP PLATE - PLAN



- * Adjust A and B to fit girder bottom flange.
- ** Adjust dimensions as required for thickness tolerance and fit-up.

DRIP PLATE - ELEVATION



SECTION A-A