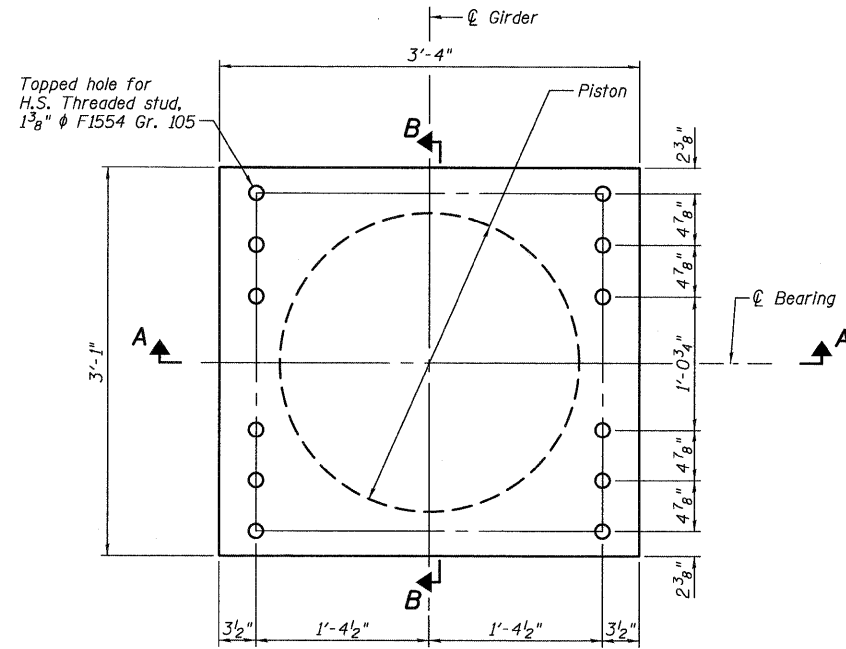
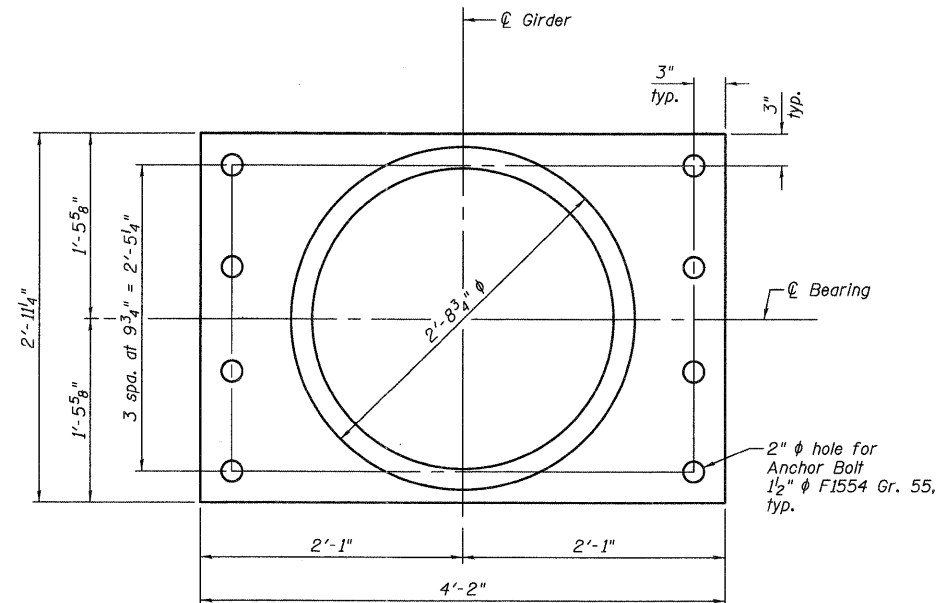


DESIGN DATA

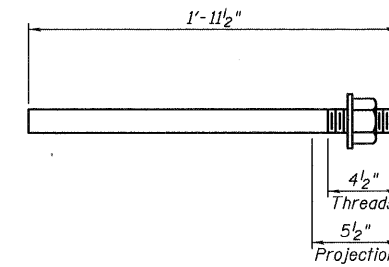
Service Vertical Design Load = 2,000k
 Factored Horizontal Design Load = 620k
 Factored Design Rotation = 0.02 rad



TOP BEARING PL AND BASE PISTON PLAN
 (Girder and bearing stiffeners not shown for clarity)



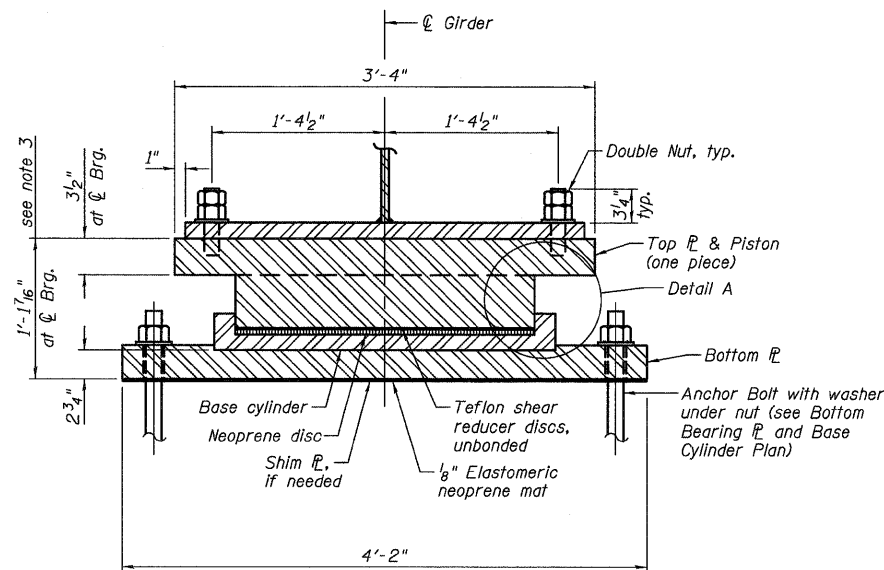
BOTTOM BEARING PL AND BASE CYLINDER PLAN



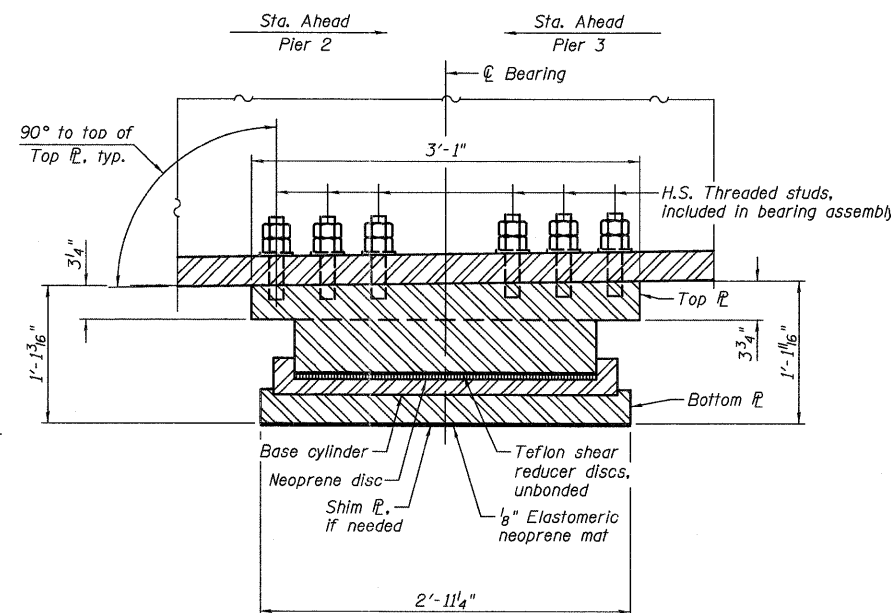
ANCHOR BOLT DETAIL

BILL OF MATERIAL

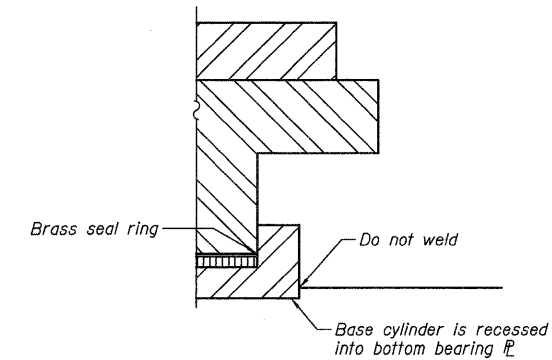
Item	Unit	Total
High Load Multi-Rotation Bearings, Fixed, 2,000k	Each	20
Anchor Bolt 1 1/2" dia.	Each	160



SECTION A-A



SECTION B-B



DETAIL A

NOTES:

- For HLMR Bearing Notes, see sheet 81 of 133.
- Bearing height does not include neoprene mat or shims.

c:\pwworking\homa\d054904\0600345-76A91-078-BRG.dgn
 jmgus
 3/15/2011 2:18:29 PM