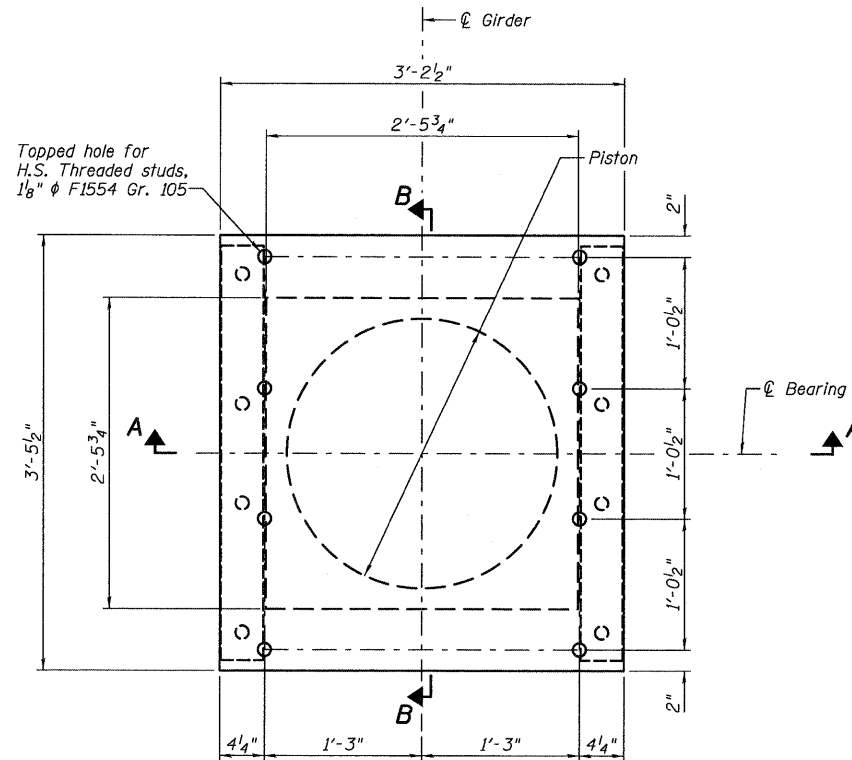
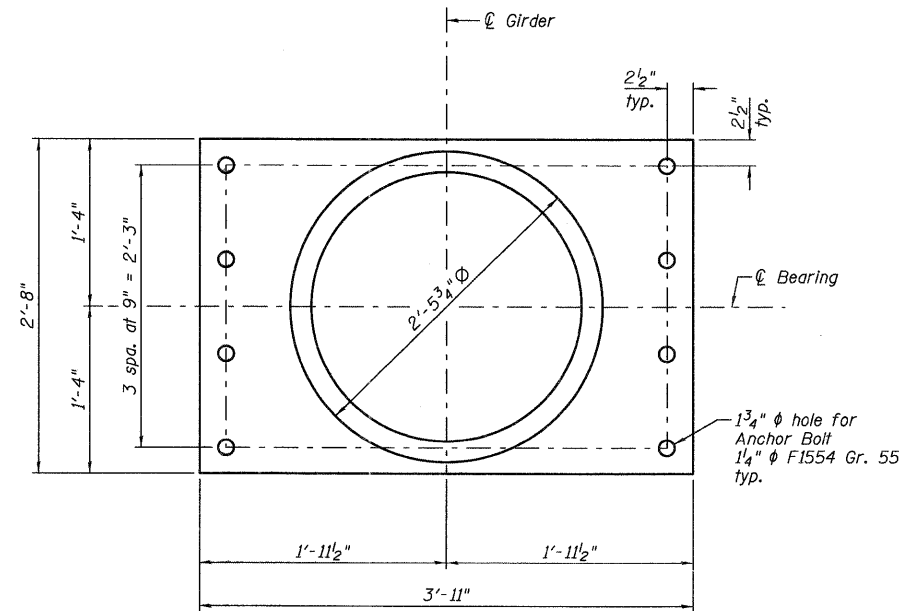


DESIGN DATA

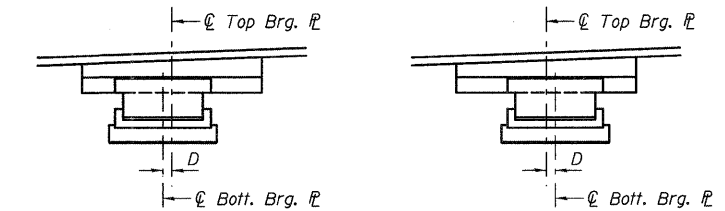
Service Vertical Design Load = 1,700k
 Factored Horizontal Design Load = 270k
 Factored Design Rotation = 0.03 rad
 Total Required Movement = 11 1/4"



TOP BEARING PL AND BASE PISTON PLAN
 (Girder and bearing stiffeners not shown for clarity)



BOTTOM BEARING PL AND BASE CYLINDER PLAN



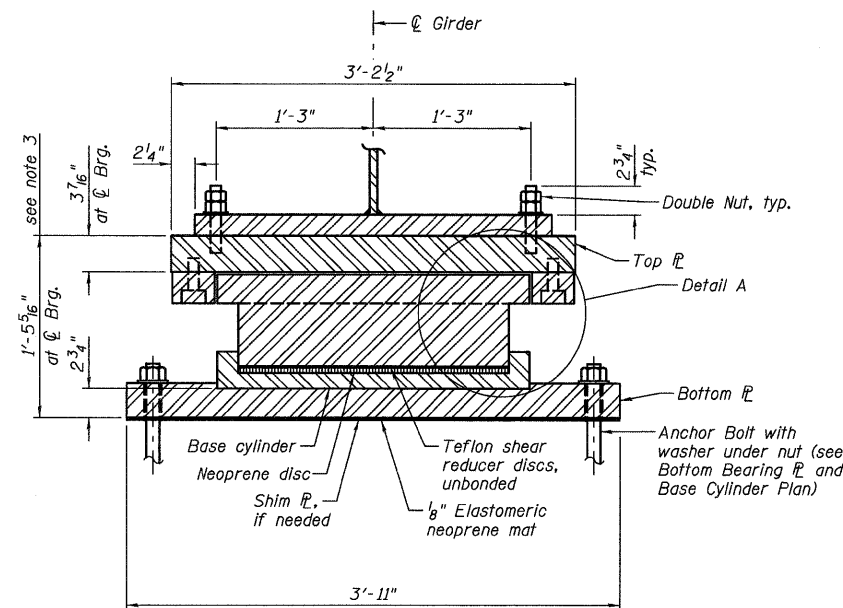
BELOW 50° F.
 (Move bottom brg. pl. away from fixed brg.)

ABOVE 50° F.
 (Move bottom brg. pl. toward fixed brg.)

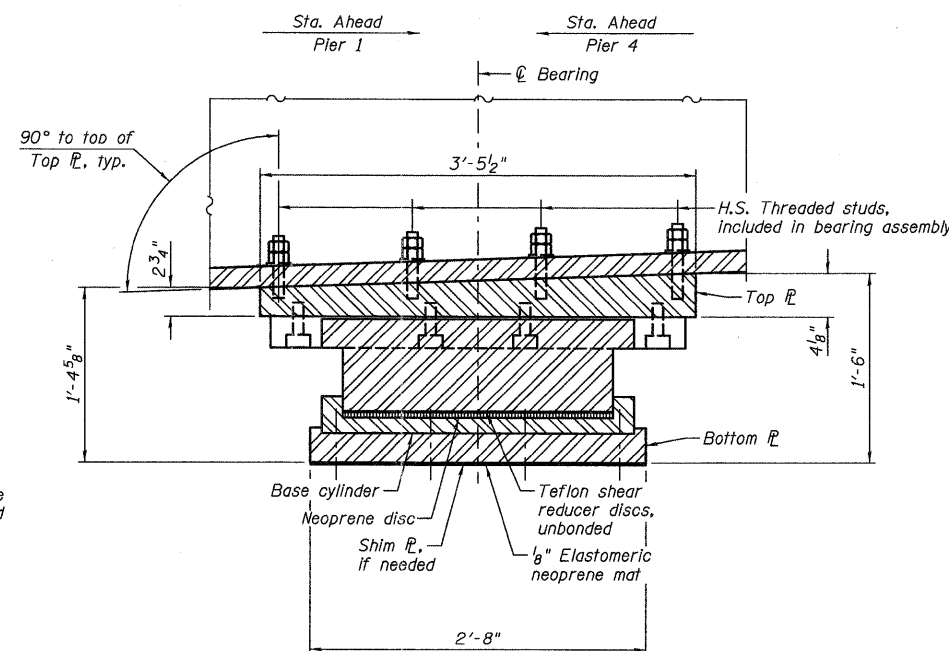
SETTING ANCHOR BOLTS AT EXP. BRG.
 D = 1/8" per each 100' of expansion for every 15° temp. change from the normal temp. of 50° F.

BILL OF MATERIAL

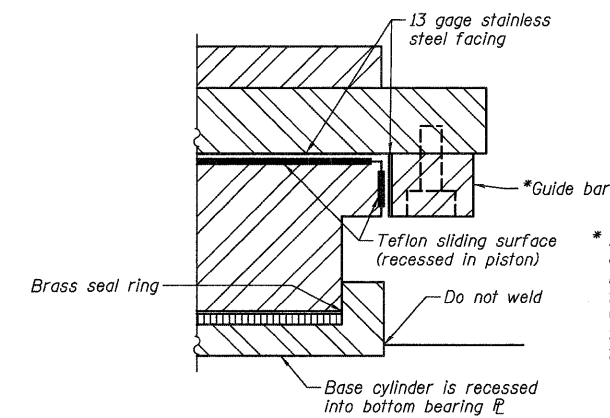
Item	Unit	Total
High Load Multi-Rotation Bearings, Guided Expansion, 1,700k	Each	20
Anchor Bolt 1 1/4" dia.	Each	160



SECTION A-A



SECTION B-B



DETAIL A

* As alternates to the bolted connection shown, the guide bars may be connected to the top bearing plate by groove welds or the guide bars and top bearing plate may be fabricated as a single piece.

NOTES:

- For HLMR Bearing Notes, see sheet 81 of 133.
- Bearing height does not include neoprene mat or shims.
- For Anchor Bolt Detail, see sheet 78 of 133.

c:\pwworking\king\oma\0549104\0600345-76A91-080-BRG.dgn 3/15/2011 2:18:41 PM jmgus