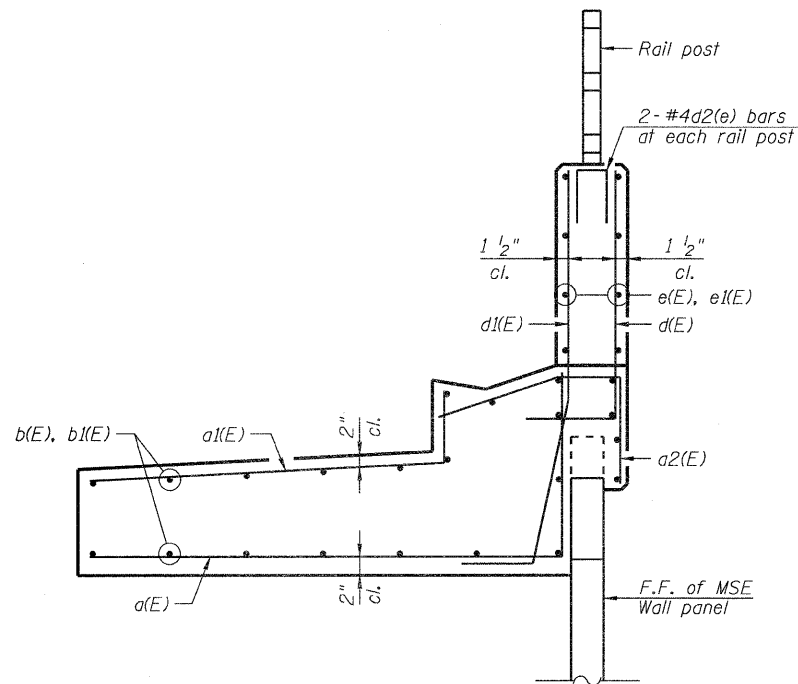
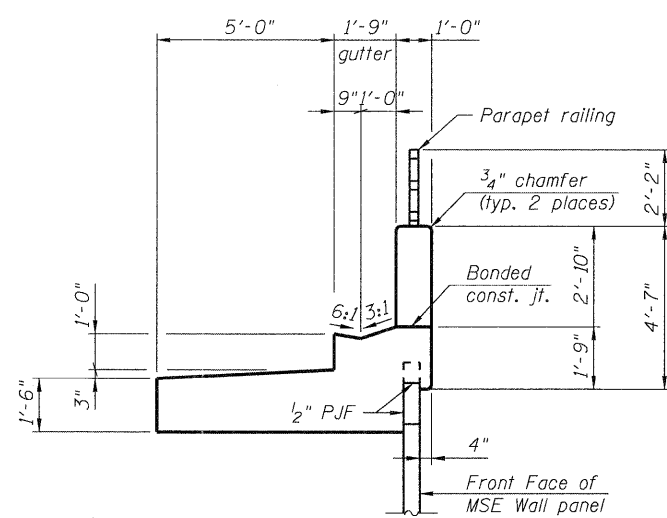


TYPICAL WALL SECTION
(Looking West)



TYPICAL SECTION THROUGH PARAPET
SHOWING REINFORCEMENT

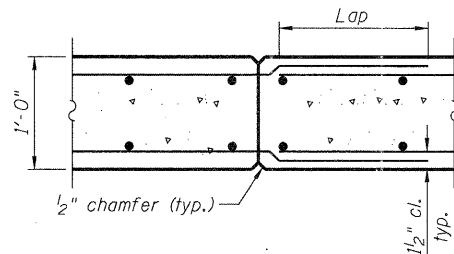


TYPICAL SECTION THROUGH PARAPET
SHOWING DIMENSIONS

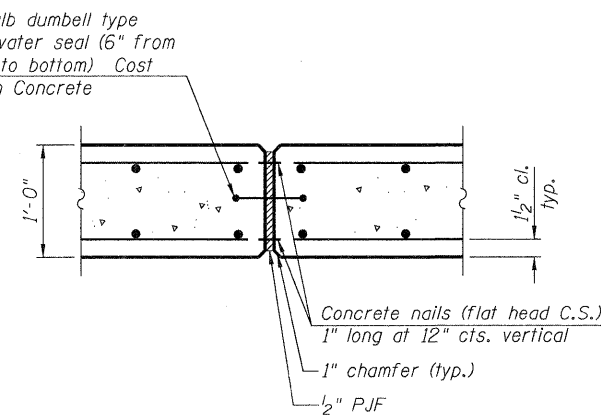
****Settlement Point Benchmarks**

Settlement point benchmarks shall be established at the locations indicated on the plans at the face of the wall and on the leveling pad. Station and offset locations shown on the plans are subject to field conditions and may be adjusted at the discretion of the Engineer. The frequency of settlement readings shall be at a minimum once each day over the course of the first week's load increment (no greater than five feet in height), then once every other day for the remainder of construction, or as determined by the Engineer, depending on the observed rate of settlement. The rate of settlement will be based on settlement data versus time plot, with the initial reading being taken at the top of the leveling pad prior to any MSE wall construction.

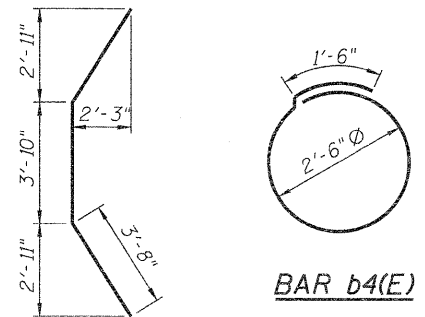
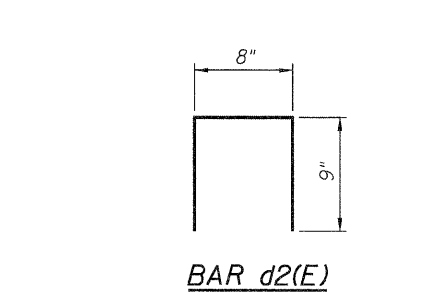
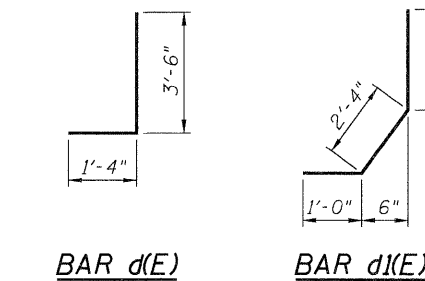
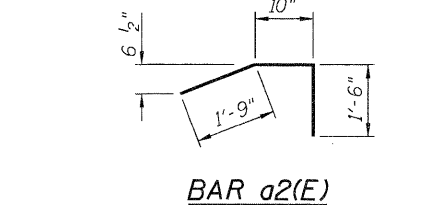
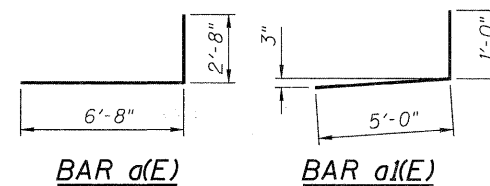
Settlement Point Benchmarks aren't measured for payment but included in the cost of Mechanically Stabilized Earth Retaining Wall. See Sheet 1 for locations.



CONSTRUCTION JOINT DETAILS IN PARAPET



EXPANSION JOINT DETAILS IN PARAPET



MSE WALL
BILL OF MATERIAL

Bar	No.	Size	Length	Shape
a(E)	1090	#5	9'-4"	L
a1(E)	1090	#5	6'-0"	L
a2(E)	1090	#5	4'-1"	L
b(E)	506	#4	33'-0"	—
b1(E)	242	#4	29'-8"	—
b2(E)	22	#4	34'-8"	—
b3(E)	2	#5	11'-2"	—
b4(E)	2	#5	6'-5"	○
d(E)	1090	#6	4'-10"	J
d1(E)	1090	#6	6'-7"	J
d2(E)	258	#4	2'-2"	Π
e(E)	184	#4	33'-0"	—
e1(E)	88	#4	29'-8"	—
e2(E)	8	#4	34'-8"	—
Structure Excavation	Cu. Yd.	3,520		
Concrete Structures	Cu. Yd.	686.1		
Reinforcement Bars, Epoxy Coated	Pound	63,620		
Mechanically Stabilized Earth Retaining Wall	Sq. Ft.	19,560		

Bars indicated thus 1 x 15-#5 etc. indicates 1 line of bars with 15 lengths per line.

Bar Size	No.
#4	2'-1"
#5	2'-7"
#6	3'-1"

Minimum Lap Lengths

Notes:
For Parapet Railing see Railing Details on Sheet 7.