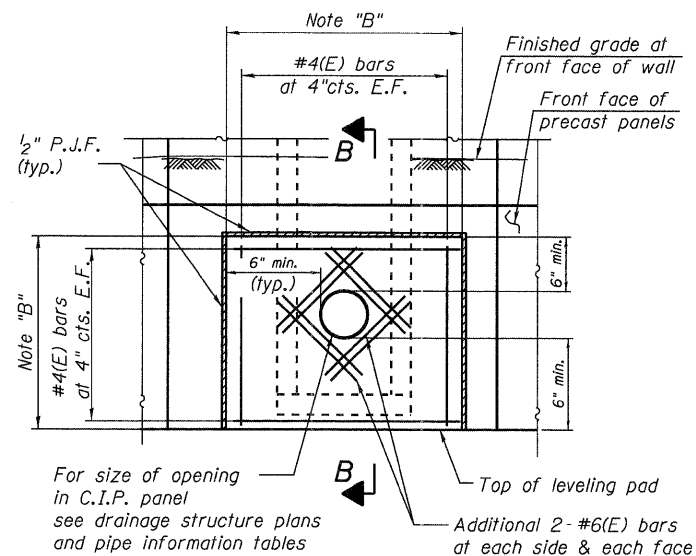


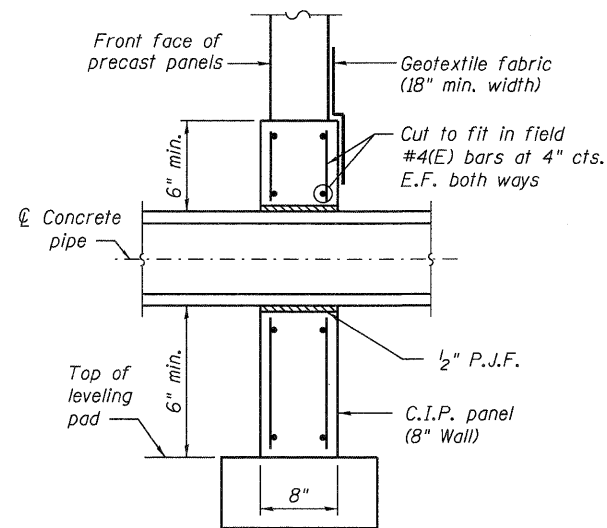
\* M.S.E. supplier to design load transfer system to accommodate concrete pipe and catch basin.

**SECTION AT DRAINAGE STRUCTURE**  
(Looking West)

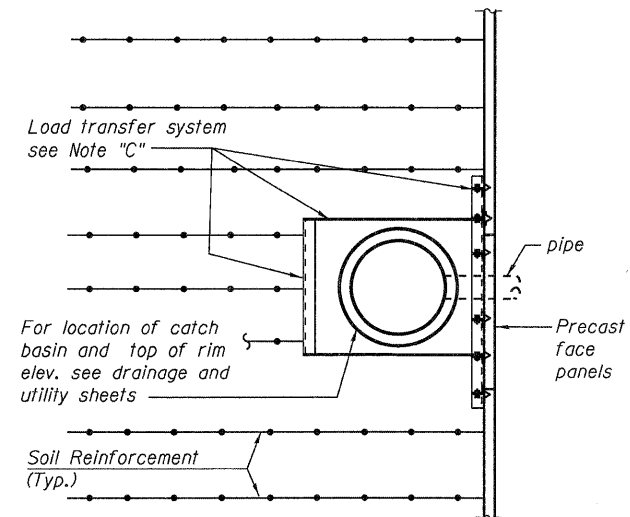


**VIEW A-A**  
**CAST IN PLACE (C.I.P.) PANEL ELEVATION**

Note "B"  
Cast-in-place panel (C.I.P.) Dimensions to be determined by Precast panel supplier.

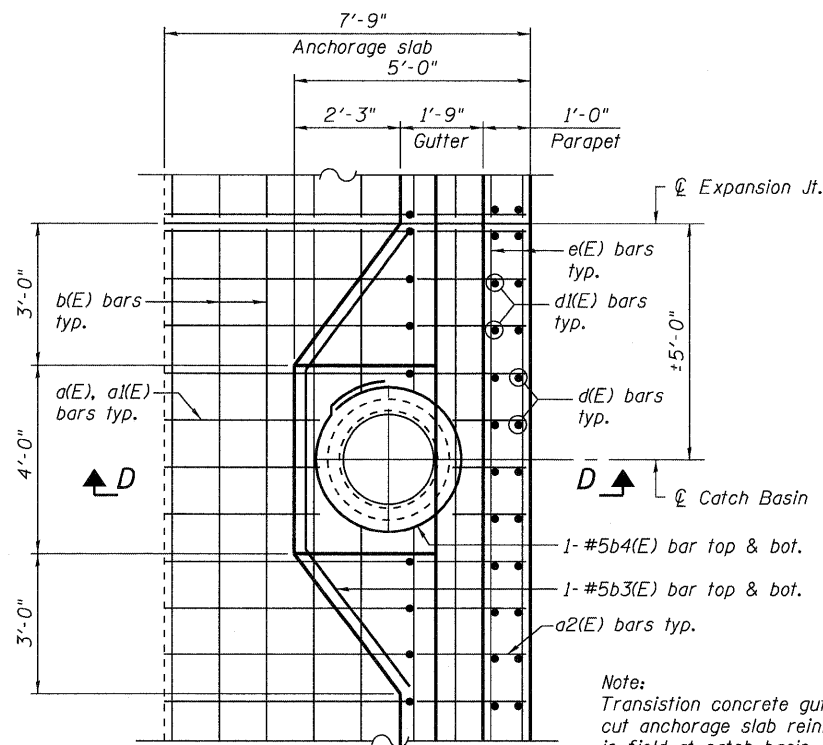


**SECTION B-B**  
**TYPICAL SECTION THROUGH C.I.P. PANEL**



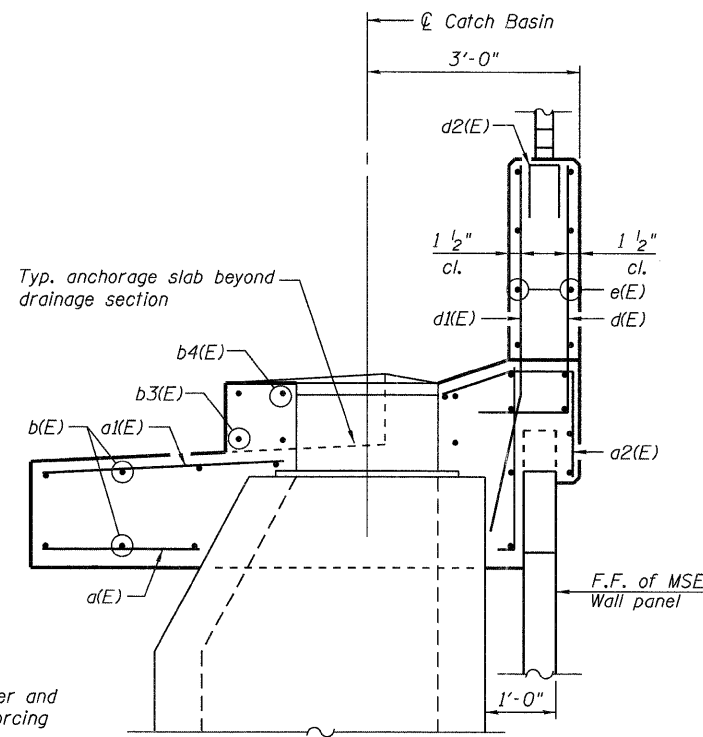
**SECTION C-C**

Note "C"  
M.S.E. supplier to design load transfer system to accommodate catch basins.



**PLAN AT CATCH BASIN**

Note:  
Transition concrete gutter and cut anchorage slab reinforcing in field at catch basin.



**SECTION D-D**

Note:  
For Typical Parapet Sections and details see Sheet 5.