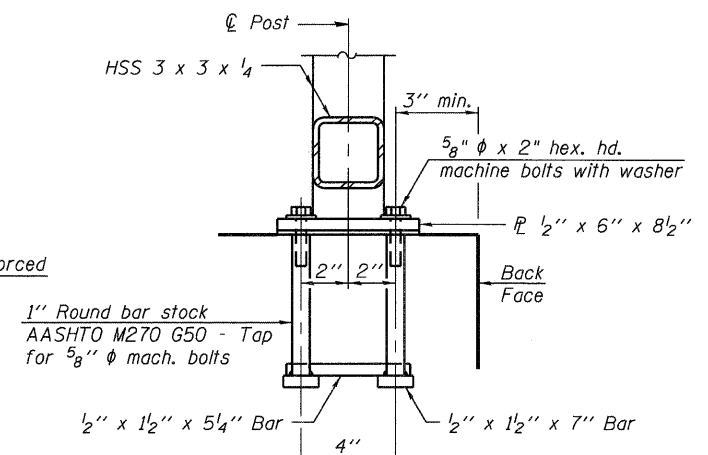
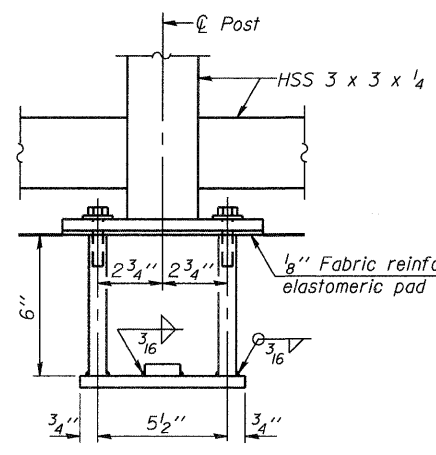
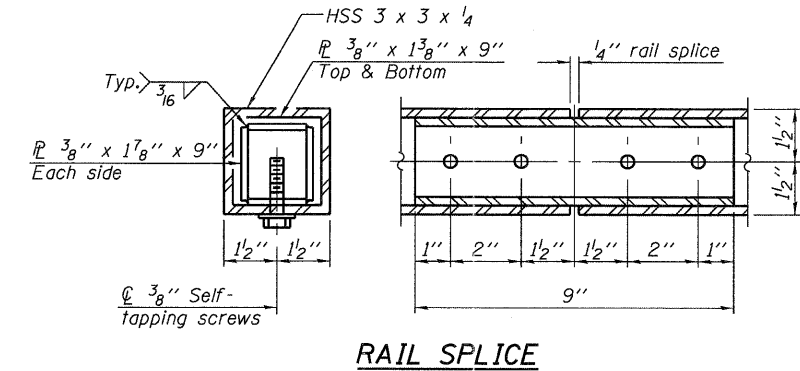
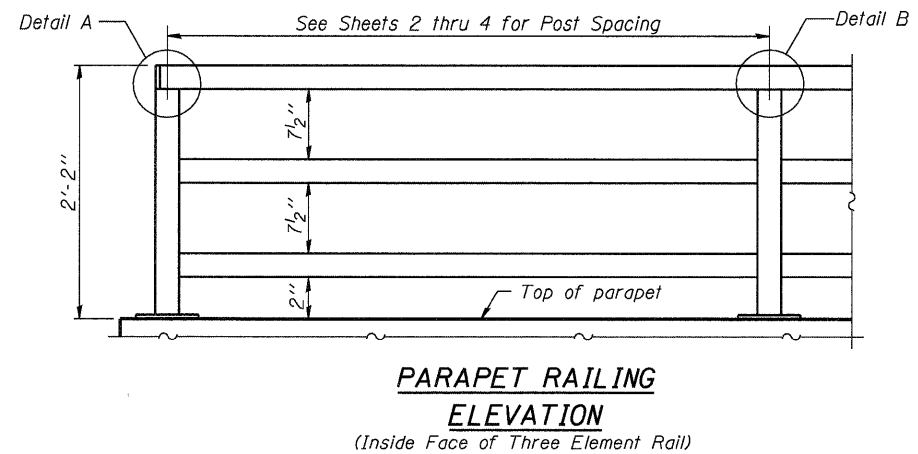
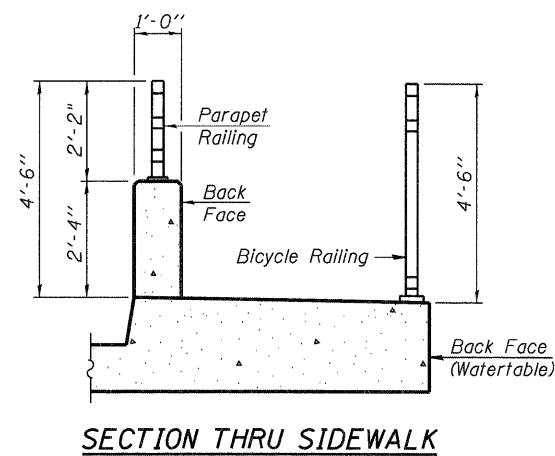
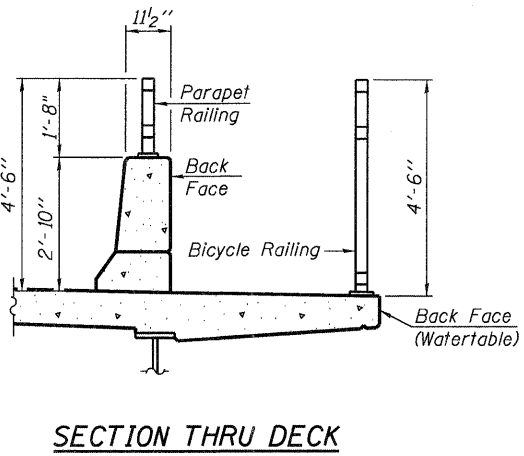
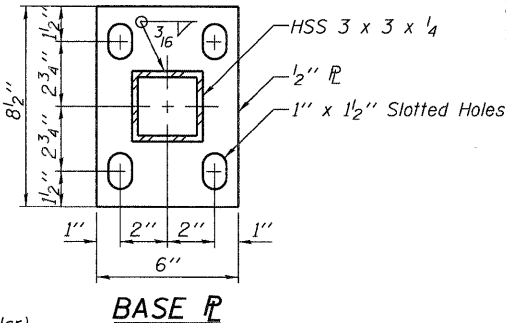
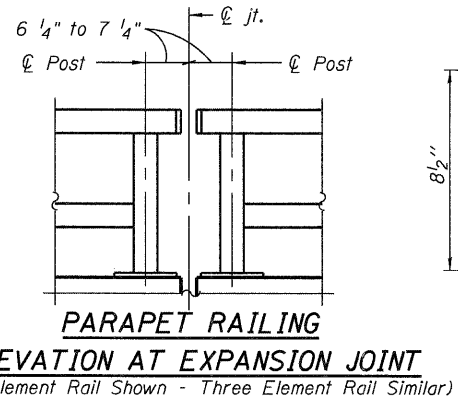
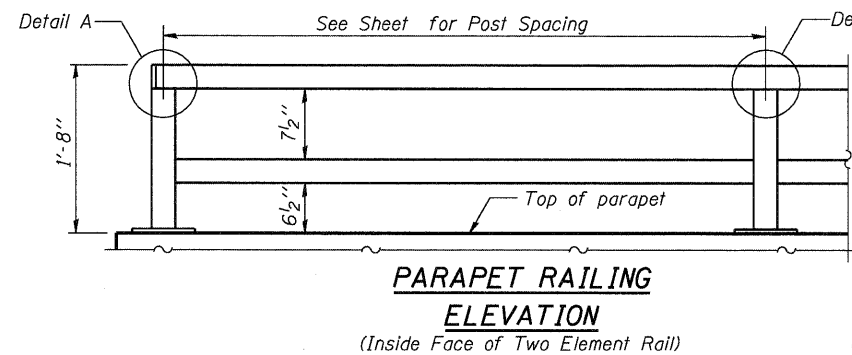
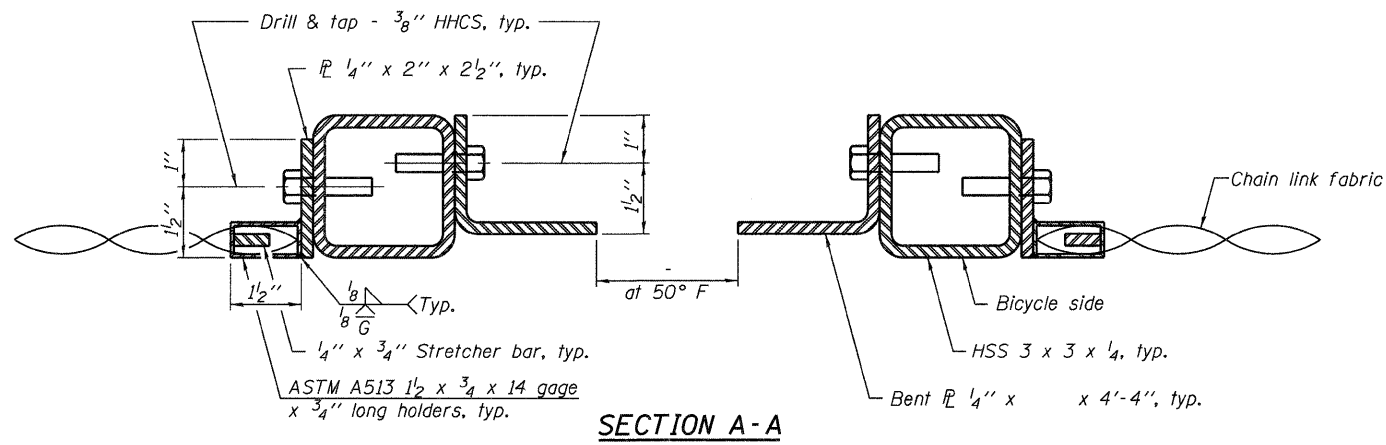


Note:
 All steel rail elements shall be galvanized according to Article 509.05 of the Standard Specifications.



In lieu of the cast-in-place anchor device shown, the Contractor has the option of drilling and setting 5/8" φ anchor rods according to Article 509.06 of the Standard Specifications. Embedment shall be according to the manufacturer's specifications.

BILL OF MATERIAL

Item	Unit	Quantity
Parapet Railing	Foot	1,060

R-29 7-1-10 (10'-0" Maximum Post Spacing)

FILE NAME = 060W008-76A91-007-Rail.dgn	USER NAME = jehrbart	DESIGNED - JCE	REVISED -
		CHECKED - PMH	REVISED -
		DRAWN - AMV	REVISED -
		CHECKED - JCE	REVISED -

STATE OF ILLINOIS
 DEPARTMENT OF TRANSPORTATION

RAILING DETAILS
 STRUCTURE NO. 060-W008

SHEET NO. 7 OF 19 SHEETS

F.A.I. RTE. 270	SECTION 60-1B-1	COUNTY MADISON	TOTAL SHEETS 712	SHEET NO. 519
			CONTRACT NO. 76A91	
ILLINOIS FED. AID PROJECT				