

**BARRIER ELEVATION - FRONT FACE**

46 REQ'D: TYP. BARRIER SEGMENT, 20'-0" NOMINAL LENGTH  
1 REQ'D: END BARRIER SEGMENT, ± 12'-4" NOMINAL LENGTH  
SEE NOTE 1

**BILL OF MATERIAL**

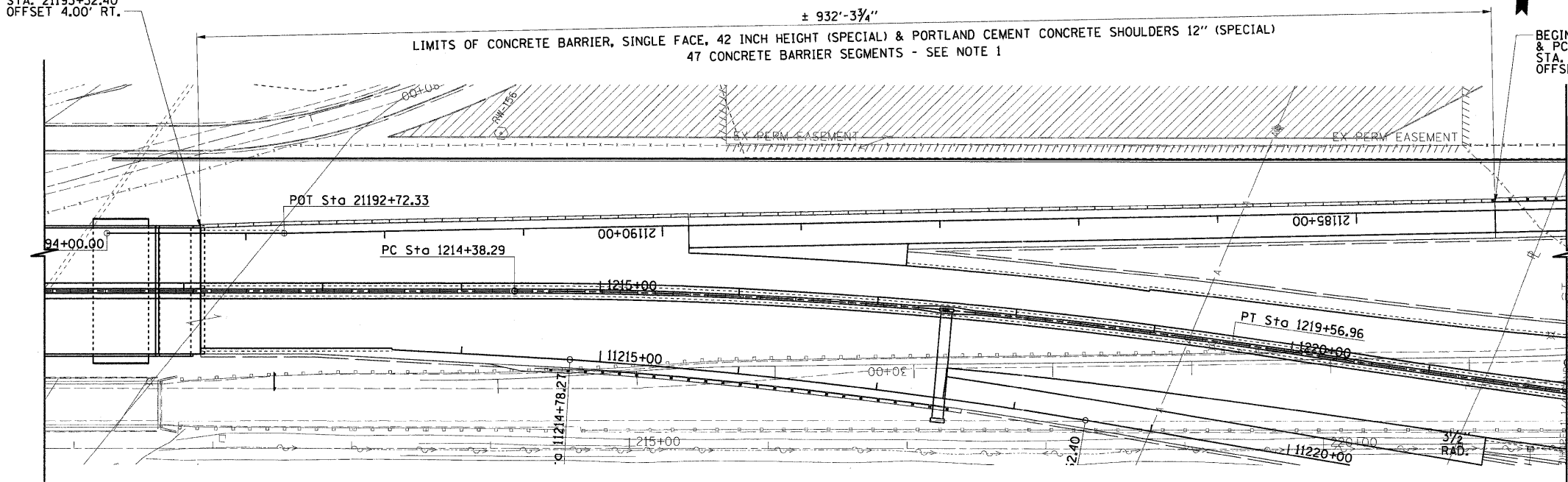
BAR	NO.	SIZE	LENGTH	SHAPE	
d(E)	1,072	#6	5'-10"	—	
d <sub>1</sub> (E)	1,072	#4	5'-10"	—	
d(E)	1,072	#5	9'-2"	U	
d <sub>1</sub> (E)	1,072	#5	12'-8"	U	
e(E)	966	#4	19'-8"	—	
e <sub>1</sub> (E)	46	#8	19'-8"	—	
e <sub>2</sub> (E)	21	#4	12'-0"	—	
e <sub>3</sub> (E)	1	#8	12'-0"	—	
* CONCRETE BARRIER, SINGLE FACE, 42 INCH HEIGHT (SPECIAL)				FOOT	933
PROTECTIVE COAT				SQ YD	934
REINFORCEMENT BARS, EPOXY COATED				POUND	53,290
* PORTLAND CEMENT CONCRETE SHOULDERS 12" (SPECIAL)				SQ YD	615

\* SEE SPECIAL PROVISION

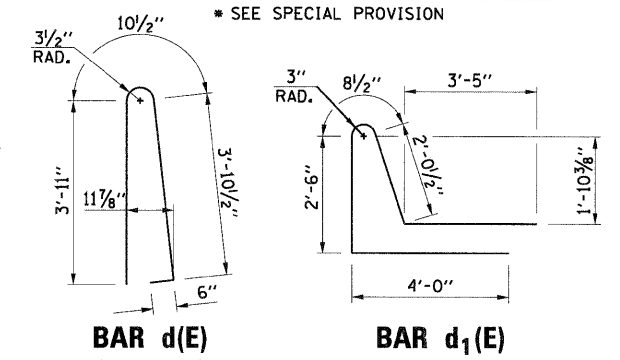
END CONC BAR IF 42HT SPL & PCC SHOULDERS 12 SPL STA. 21193+32.40 OFFSET 4.00' RT.



BEGIN CONC BAR IF 42HT SPL & PCC SHOULDERS 12 SPL STA. 21184+00.00 OFFSET 6.00' RT.



**PLAN VIEW**



**NOTES:**

- BARRIER SEGMENT LENGTHS SHALL BE ADJUSTED AS NEEDED TO MATCH THE TRANSVERSE CONTRACTION JOINT LOCATIONS IN THE ADJACENT PCC SHOULDER. ONE END SEGMENT IS DETAILED. ACTUAL END SEGMENTS MAY VARY. REINFORCEMENT DETAILING SHALL BE ADJUSTED ACCORDINGLY.
- PROTECTIVE COAT SHALL BE APPLIED TO THE TOP SURFACE AND EXPOSED FRONT SURFACES OF THE BARRIER.
- REINFORCEMENT BARS DESIGNATED (E) SHALL BE EPOXY COATED.
- SPECIAL REINFORCEMENT REQUIREMENTS FOR PCC SHOULDER ARE DETAILED ON THIS SHEET AND ARE PAID FOR AS REINFORCEMENT BARS, EPOXY COATED. SEE IDOT STANDARD 483001 FOR DETAILS NOT SHOWN. SEE SPECIAL PROVISIONS FOR ADDITIONAL INFORMATION.
- ONE LAYER OF 1/2" PREFORMED JOINT FILLER SHALL BE PROVIDED AT EACH JOINT BETWEEN CONCRETE BARRIER SEGMENTS. COST INCLUDED IN CONCRETE BARRIER, SINGLE FACE, 42 INCH HEIGHT (SPECIAL).

FILE NAME = 0676A91-Sh1-DET01.DGN	USER NAME = malopez	DESIGNED - JAR	REVISED -	<b>STATE OF ILLINOIS DEPARTMENT OF TRANSPORTATION</b>	<b>MISCELLANEOUS DETAILS CONCRETE BARRIER DETAILS</b>		F.A.I. RTE. 270	SECTION 60-1B-1	COUNTY MADISON	TOTAL SHEETS 712	SHEET NO. 538
PLOT SCALE = #SCALE#	CHECKED - LGP	REVISIED -	REVISIED -				SCALE:	SHEET NO. OF SHEETS	STA. TO STA.	CONTRACT NO. 76A91	
PLOT DATE = 3/16/2011	DATE -	REVISIED -	REVISIED -								