

STATE OF ILLINOIS  
DEPARTMENT OF TRANSPORTATION

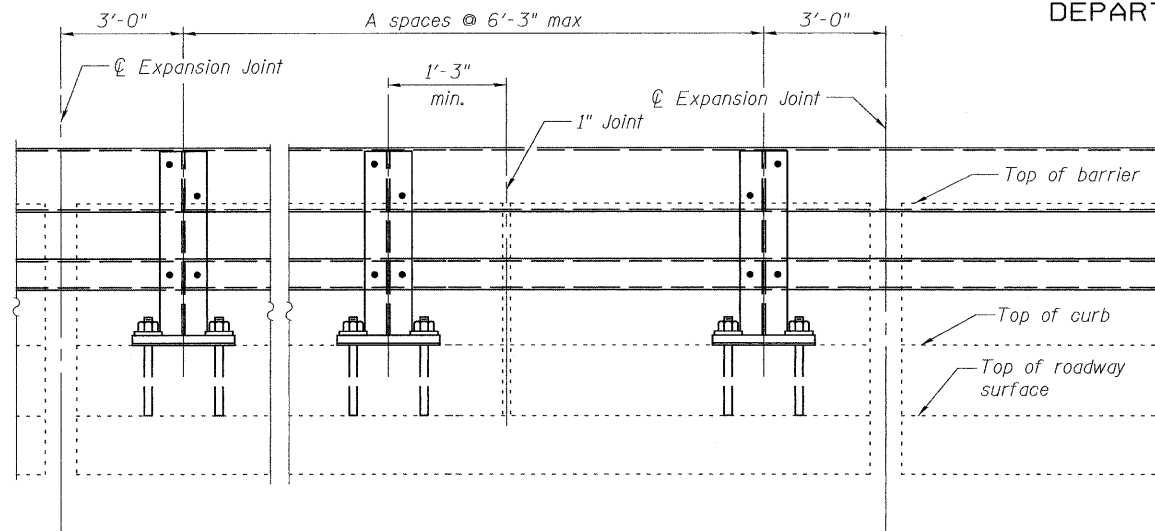
POST SPACING DIMENSIONS

WESTBOUND MEDIAN CURB

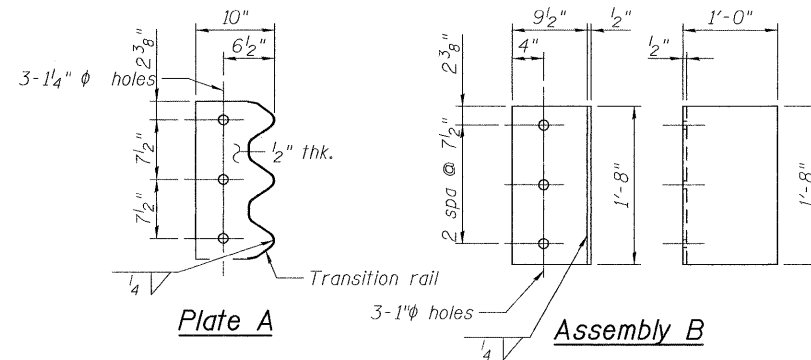
☐ of Joint near Pier No.	A
1-3	12
3-7	70
7-11	101
11-15	102
15-19	101
19-24	180
24-28	101
28-32	68
32-36	48
36-40	51
40-44	29

EASTBOUND MEDIAN CURB

☐ of Joint near Pier No.	A
1-3	12
3-7	70
7-11	100
11-15	102
15-19	101
19-24	180
24-28	102
28-32	68
32-36	48
36-40	51
40-44	29



STEEL RAILING TYPE 2399 POST LAYOUT  
(Existing tubular rail not shown for clarity)

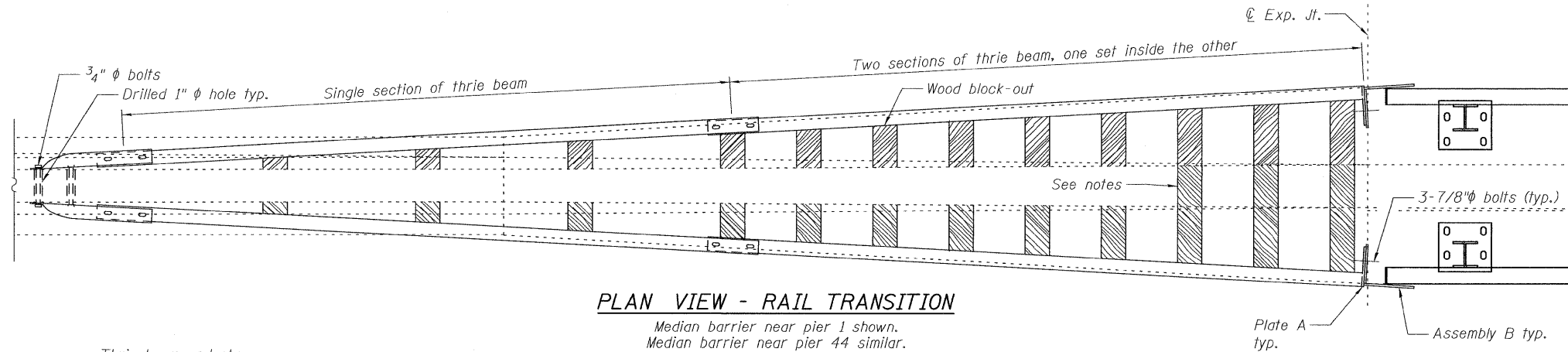


TOTAL MOVEMENT AT EXPANSION JOINTS

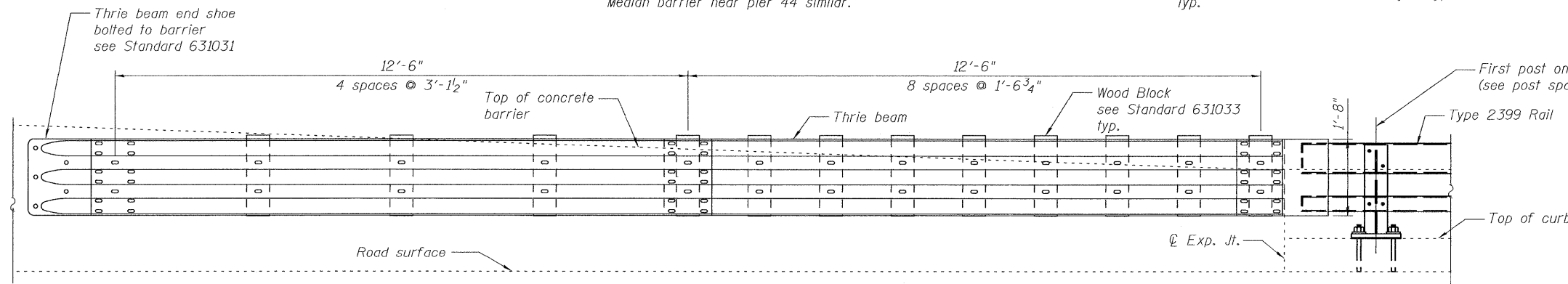
Pier	T
3	3 1/4"
7	6 5/8"
11	7 7/8"
15	7 7/8"
19	9 3/8"
24	12 1/2"
28	6 5/8"
32	4 5/8"
36	3 7/8"
40	2 1/2"

Notes:

- See Standard 630001 for details of guardrail not shown.
- Thrie beam rail shall be bolted to all wood block-outs.
- All field drilled holes shall be coated with an approved zinc rich paint before erection.
- All wood blocks shall be treated according to Article 1007.12 of the Standard Specifications.
- Each wood block is to be mounted to existing median barrier with a minimum of 3 - 3/4" epoxy grouted anchor bolts with standard galvanized washers.
- Wood blocks are required over the top of the barrier at the direction of the Engineer.
- Epoxy grouting of anchor bolts shall be per article 584 of the Standard Specifications.
- All steel rail elements shall be galvanized according to Article 509.05 of the Standard Specifications.



PLAN VIEW - RAIL TRANSITION



ELEVATION VIEW - RAIL TRANSITION

BILL OF MATERIAL

Item	Unit	Total
Traffic Barrier Terminal Type 6, Special	Each	2

STEEL RAILING - TYPE 2399 POST LAYOUT  
STRUCTURE NO. 060-0035

SHEET NO.	F.A.I. RTE.	SECTION	COUNTY	TOTAL SHEETS	SHEET NO.
8	270	60B-I-8	MADISON	49	21
36 SHEETS			CONTRACT NO. 76A92		
FED. ROAD DIST. NO. 8 ILLINOIS FED. AID PROJECT					

DESIGNED	TSB
CHECKED	TMB
DRAWN	TSB
CHECKED	TMB

**PARSONS**  
400 WOODS MILL RD. SOUTH, SUITE 330  
CHESTERFIELD, MO. 63017  
PHONE: 314.434.2900