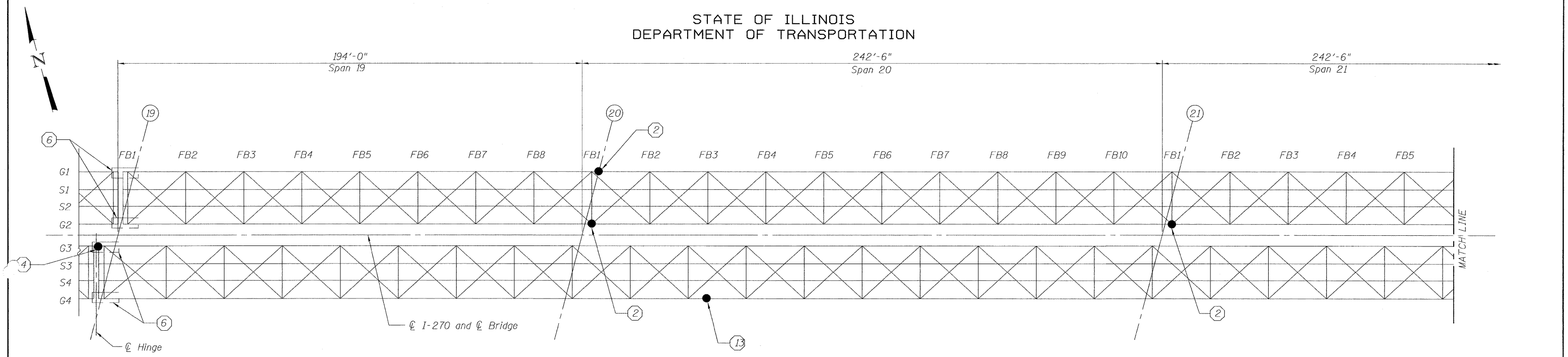
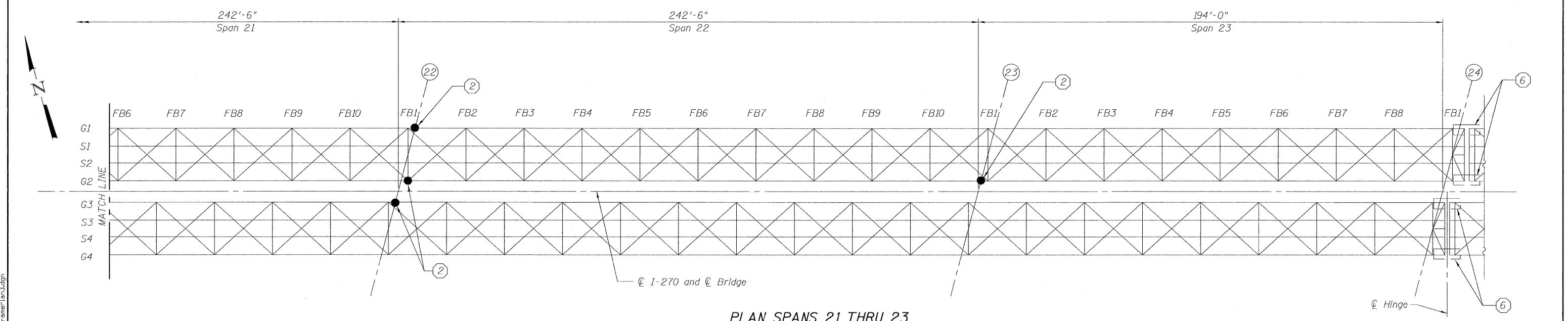


STATE OF ILLINOIS
DEPARTMENT OF TRANSPORTATION



PLAN SPANS 19 THRU 21



PLAN SPANS 21 THRU 23

- ① Replace loose or missing cross frame bolts, see Sht 16 of 36.
- ② Replace loose or missing bearing connection bolts, see Sht 18 of 36.
- ③ Replace missing hinge retainer nut, see Sht 17 of 36.
- ④ Replace broken grounding cable. See Standard Specification sections 806 and 1087.
- ⑤ Install Catch Beam, see Shts 21 & 22 of 36.
- ⑥ Install Seismic Restrainers, see Shts 23 thru 32 of 36.
- ⑦ Repair wind transfer device steel, see Sht 18 of 36.
- ⑧ Repair over rotated bearing, see Sht 20 of 36.
- ⑨ Replace lower lateral connection, see Sht 19 of 36.
- ⑩ Replace corroded field splice bolts, see Sht 16 of 36.
- ⑪ Replace lower lateral connection bolt, see Sht 16 of 36.
- ⑫ Replace loose floor beam to stringer bolt, see Sht 16 of 36.
- ⑬ Replace loose splice plate bolt, see Sht 16 of 36.
- ⑭ Replace bolts with missing nuts, see Sht 16 of 36.
- ⑮ Repair bearing stiffener, see Sht 17 of 36.
- ⑯ Replace bolts and plates at lower lateral connection, see Sht 19 of 36.
- ⑰ Install new shim plate, see Sht 20 of 36.

Notes:

Cost of repairing broken ground cable is included with Structural Steel Repair.

FRAMING PLAN SPANS 19 THRU 23
STRUCTURE NO. 060-0035

DESIGNED	TMB
CHECKED	TSB
DRAWN	JGC / TMB
CHECKED	TSB



SHEET NO. 13 36 SHEETS	F.A.I. RTE.	SECTION	COUNTY	TOTAL SHEETS	SHEET NO.
	270	60B-I-8	MADISON	49	26
CONTRACT NO. 76A92					
FED. ROAD DIST. NO. 8 ILLINOIS FED. AID PROJECT					

L:\64718-Chan of Rocks\04 Design\CADD\Sheet Files\0600035-76A92-011-FramePlan3.dgn