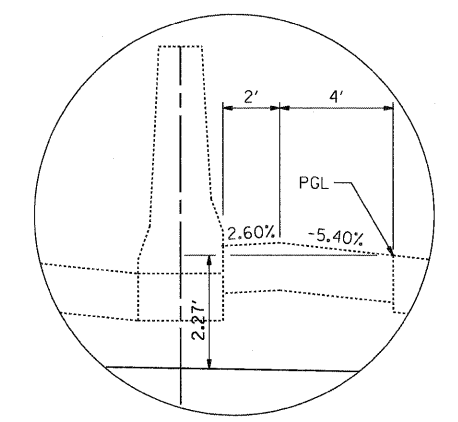


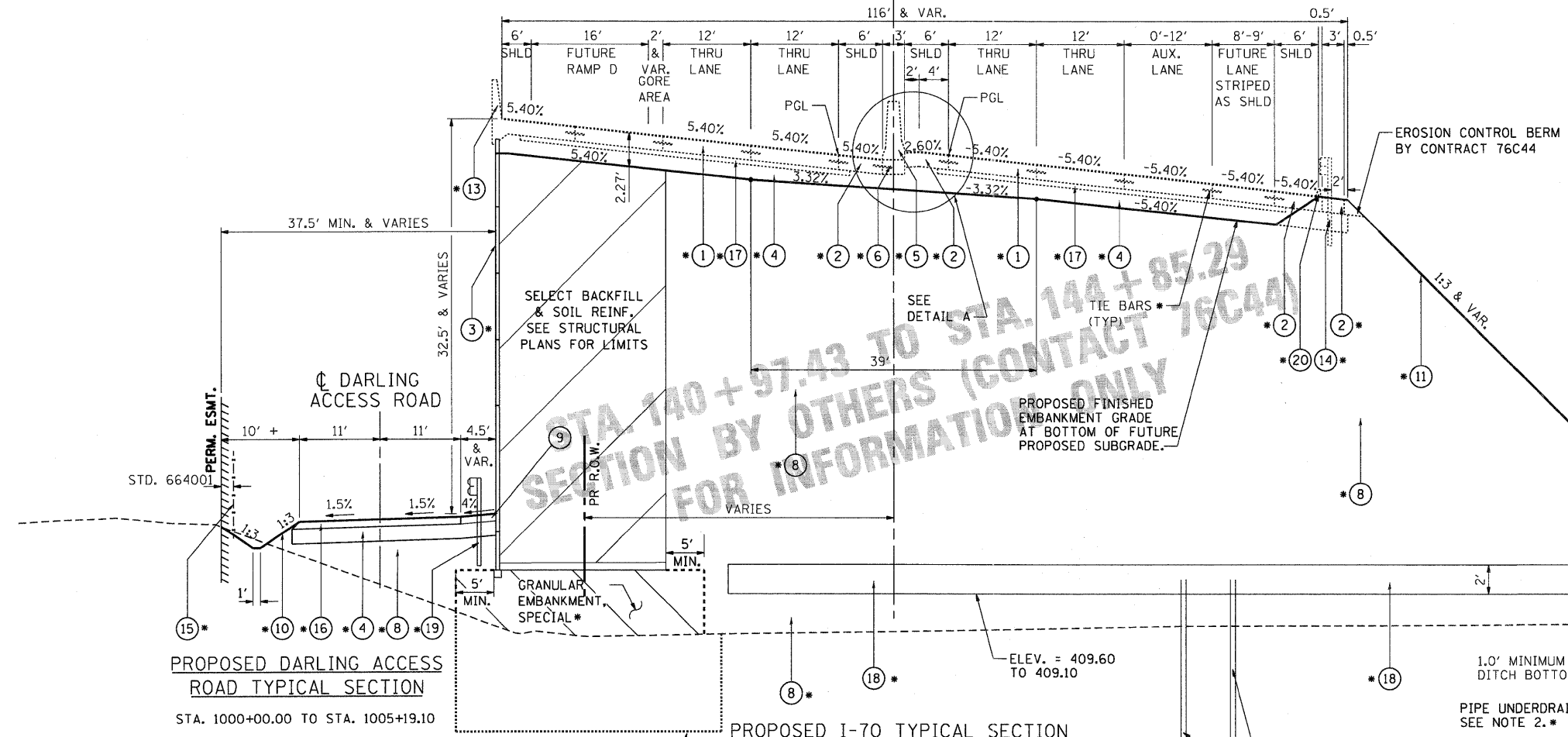
PROPOSED I-70



DETAIL A

NOTE 1: SEE SHEET 142 FOR ADDITIONAL CONCRETE BARRIER, DOUBLE FACE 42 INCH HEIGHT DETAILS. THIS DETAIL WILL BE INCLUDED IN FUTURE CONTRACT 76C43 AND IS PROVIDED FOR INFORMATION ONLY.

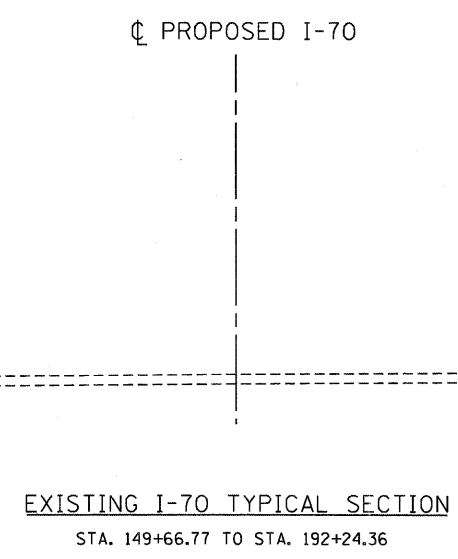
NOTE 2: PIPE UNDERDRAINS USED TO OUTLET THE SAND DRAINAGE BLANKET SHALL BE CAPPED AT THE UPSTREAM END AND SHALL HAVE A CONCRETE HEADWALL FOR PIPE DRAINS AT THE EMBANKMENT SIDESLOPE. THE ADDITIONAL COST OF THE CAP SHALL BE INCLUDED IN THE UNDERDRAIN ITEMS, THE HEADWALLS SHALL BE PAID FOR SEPARATELY.



PROPOSED DARLING ACCESS ROAD TYPICAL SECTION STA. 1000+00.00 TO STA. 1005+19.10

PROPOSED I-70 TYPICAL SECTION STA. 140+97.43 TO STA. 144+85.29 SECTION BY OTHERS (CONTACT 76C44) FOR INFORMATION ONLY

- PROPOSED LEGEND** * = BY OTHERS
- ① PORTLAND CEMENT CONCRETE PAVEMENT 11 1/4" (JOINTED)
 - ② PORTLAND CEMENT CONCRETE SHOULDERS 11 1/4"
 - ③ M.S.E RETAINING WALL
 - ④ AGGREGATE SUBGRADE 12"
 - ⑤ CONCRETE BARRIER, DOUBLE FACE, 42 INCH HEIGHT
 - ⑥ CONCRETE BARRIER BASE
 - ⑦ AGGREGATE SURFACE COURSE, TYPE B, 12"
 - ⑧ EMBANKMENT
 - ⑨ HOT-MIX ASPHALT SHOULDERS, 6 1/2"
 - ⑩ SEEDING, CLASS 4A/MULCH, METHOD 2
 - ⑪ SEEDING, CLASS 7 (SPECIAL) /MULCH, METHOD 2
 - ⑫ AGGREGATE SHOULDERS, TYPE B 6"
 - ⑬ BARRIER WALL, MODOT, TYPE D AND MOMENT SLAB
 - ⑭ STEEL PLATE BEAM GUARD RAIL, TYPE A, 6 FOOT POSTS
 - ⑮ CHAIN LINK FENCE, 6'
 - ⑯ HOT-MIX ASPHALT PAVEMENT (FULL-DEPTH), 6 1/2"
 - ⑰ STABILIZED SUBBASE - HOT-MIX ASPHALT, 4"
 - ⑱ SAND DRAINAGE BLANKET
 - ⑲ STEEL PLATE BEAM GUARD RAIL, TYPE B (SPECIAL)
 - ⑳ CURB - STD. 610001
 - ㉑ REMOVAL AND DISPOSAL OF UNSUITABLE MATERIAL AND POROUS GRANULAR EMBANKMENT, SUBGRADE
 - ㉒ REMOVAL AND DISPOSAL OF UNSUITABLE MATERIAL OR NON-SPECIAL WASTE DISPOSAL



FILE NAME = USER NAME = *USER* DESIGNED - JB REVISED - DRAWN - JB REVISED - CHECKED - ACL REVISED - DATE - 02/04/11 REVISED -

STATE OF ILLINOIS DEPARTMENT OF TRANSPORTATION I-70 CONNECTION		PROPOSED I-70 TYPICAL SECTIONS 1		F.A.P. RTE. 998	SECTION 82-1A	COUNTY ST. CLAIR	TOTAL SHEETS 190	SHEET NO. 8
SCALE: N.T.S.		SHEET NO. OF SHEETS STA. TO STA.		FED. ROAD DIST. NO.		ILLINOIS FED. AID PROJECT CONTRACT NO. 76C41		

